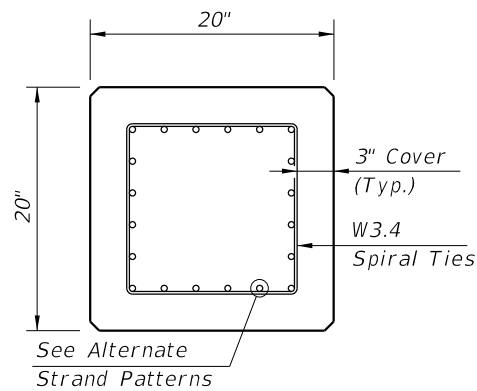


** See Note No. 4 on Index No. 20601

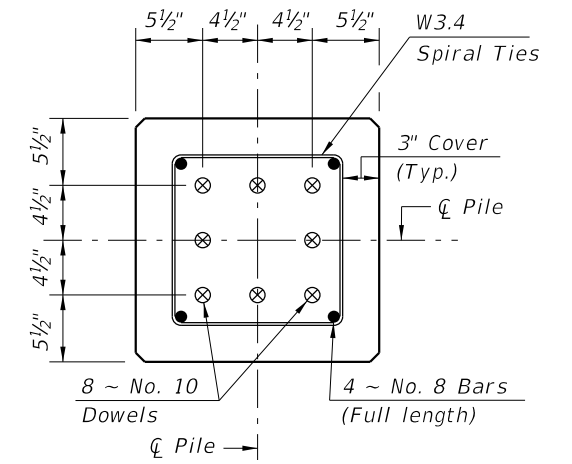
ALTERNATE STRAND PATTERNS

- 12 ~ 0.6" Ø, Grade 270 LRS, at 42 kips
- 16 ~ 1/2" Ø (Spec), Grade 270 LRS, at 31 kips
- 16 ~ 1/2" Ø, Grade 270 LRS, at 31 kips
- 24 ~ 7/16" Ø, Grade 270 LRS, at 21 kips

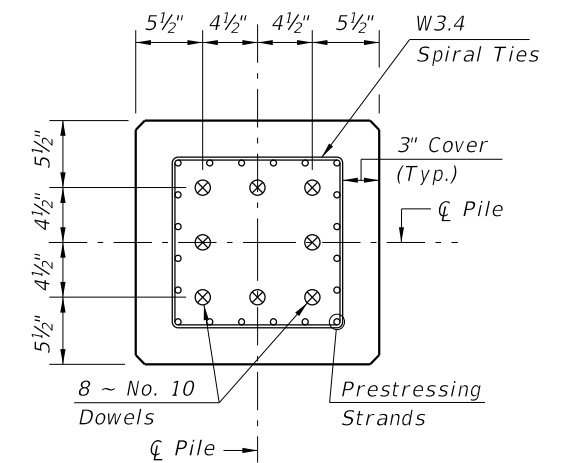


NOTE:
Any of the given Alternate Strand Patterns may be utilized. The strands shall be located as follows:
Place one strand at each corner and place the remaining strands equally spaced between the corner strands.
The total strand pattern shall be concentric with the nominal concrete section of the pile.

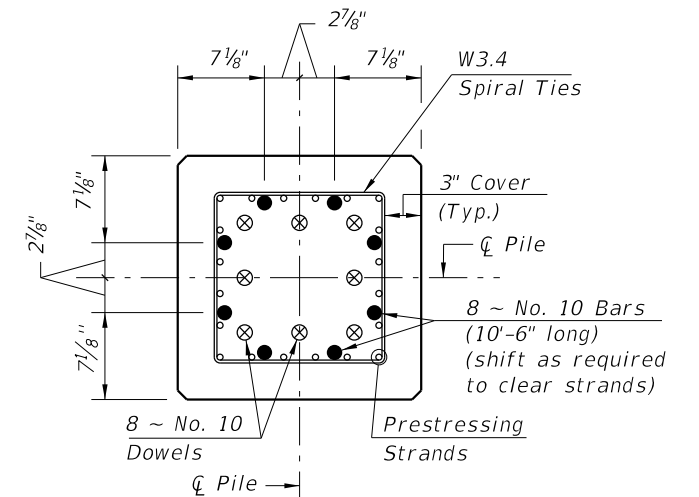
NOTE:
Work this Index with Index No. 20600 - Notes and Details for Square Prestressed Concrete Piles and Index No. 20601 - Square Prestressed Concrete Pile Splices.



(See Nondrivable Unforeseen Reinforced Precast Pile Splice Detail)



(See Drivable Prestressed Precast Pile Splice Detail)

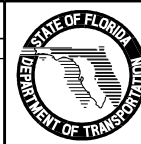


(See Drivable Preplanned Pile Splice Detail)

PILE SPLICE REINFORCEMENT DETAILS

REVISIONS

| DATE | BY | DESCRIPTION | DATE | BY | DESCRIPTION |
|----------|-----|--|------|----|-------------|
| 07/01/10 | GJM | "ALTERNATE STRAND PATTERNS" Added: "16 ~ 1/2" Ø (Spec), Grade 270 LRS, at 31 kips" Changed: 12 ~ 0.6" Ø, Grade 270 LRS, to "44 kips", and 24 ~ 7/16" Ø, Grade 270 LRS, to "21 kips". Deleted: "SR" strand pattern options. | | | |



2010 Interim Design Standard

20" SQUARE PRESTRESSED CONCRETE PILE

Interim Date 07/01/10 Sheet No. 1 of 1

Index No. 20620