

ELEVATION

** See Note No. 4 on Index No. 20601

ALTERNATE STRAND PATTERNS

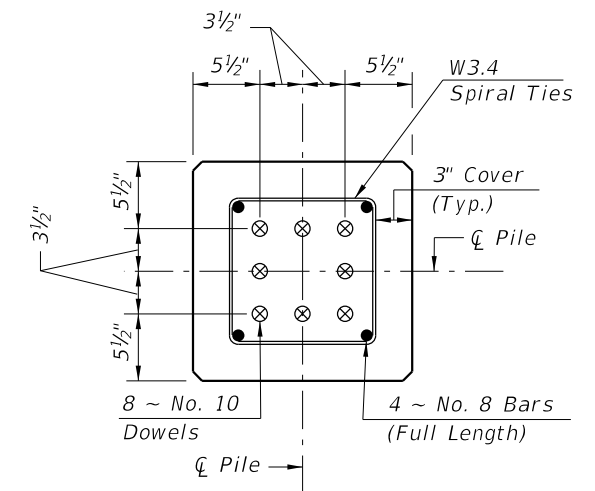
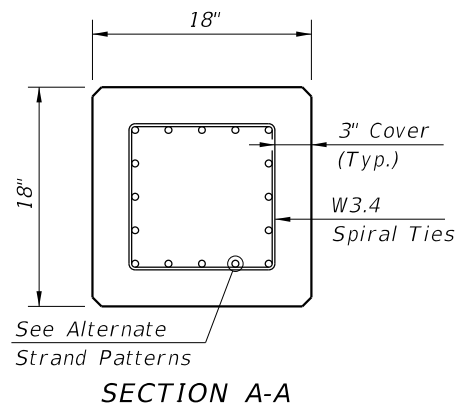
- 12 ~ 0.6" Ø, Grade 270 LRS, at 35 kips
- 12 ~ 1/2" Ø (Spec), Grade 270 LRS, at 34 kips
- 16 ~ 1/2" Ø, Grade 270 LRS, at 26 kips
- 20 ~ 7/16" Ø, Grade 270 LRS, at 21 kips
- 24 ~ 3/8" Ø, Grade 270 LRS, at 17 kips

NOTE:

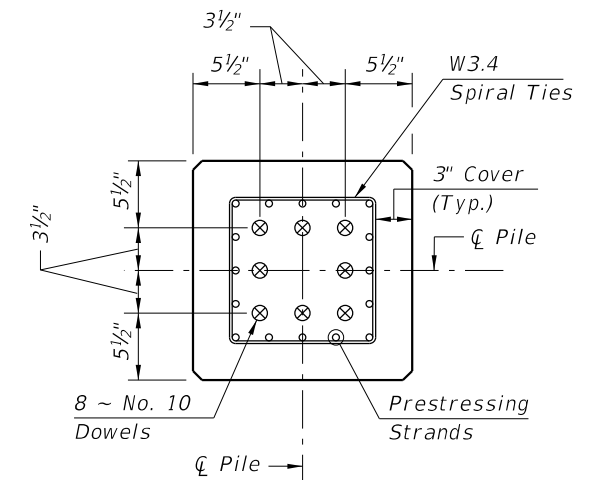
Any of the given Alternate Strand Patterns may be utilized. The strands shall be located as follows: Place one strand at each corner and place the remaining strands equally spaced between the corner strands. The total strand pattern shall be concentric with the nominal concrete section of the pile.

NOTE:

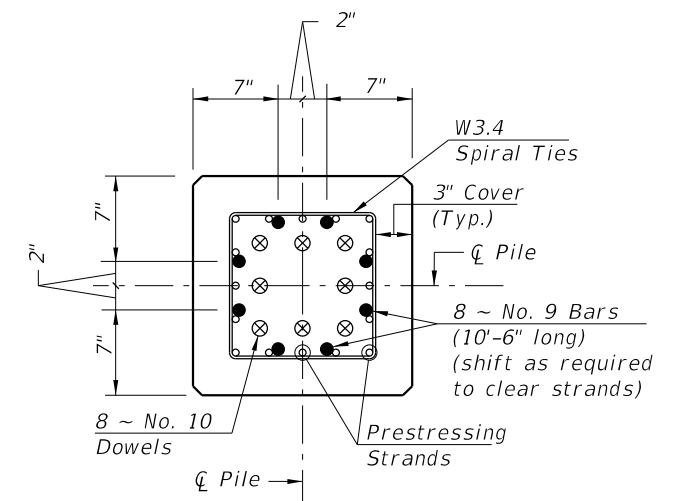
Work this Index with Index No. 20600 - Notes and Details for Square Prestressed Concrete Piles and Index No. 20601 - Square Prestressed Concrete Pile Splices.



SECTION D-D
(See Non-drivable Unforeseen Reinforced Precast Splice Detail)



SECTION E-E
(See Drivable Prestressed Precast Splice Detail)

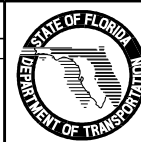


SECTION F-F
(See Drivable Preplanned Splice Detail)

PILE SPLICE REINFORCEMENT DETAILS

REVISIONS

DATE	BY	DESCRIPTION	DATE	BY	DESCRIPTION
07/01/10	GJM	"ALTERNATE STRAND PATTERNS" Added: "16 ~ 1/2" Ø, Grade 270 LRS, at 26 kips". Changed: 12 ~ 0.6" Ø, Grade 270 LRS, to "35 kips"; 20 ~ 7/16" Ø, Grade 270 LRS, to "21 kips" and 24 ~ 3/8" Ø, Grade 270 LRS, to "17 kips". Deleted: "SR" strand pattern options.			



2010 Interim Design Standard

18" SQUARE PRESTRESSED CONCRETE PILE

Interim Date	Sheet No.
07/01/10	1 of 1
Index No.	
20618	