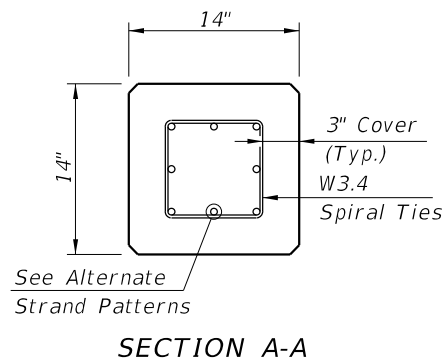


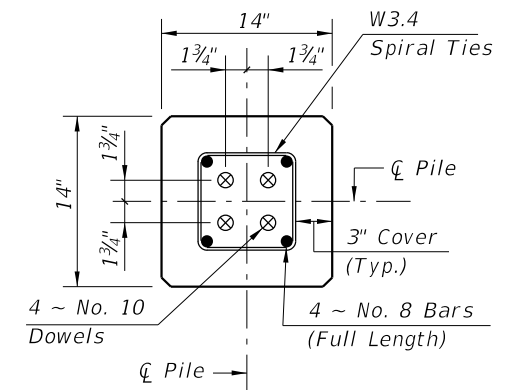
ELEVATION



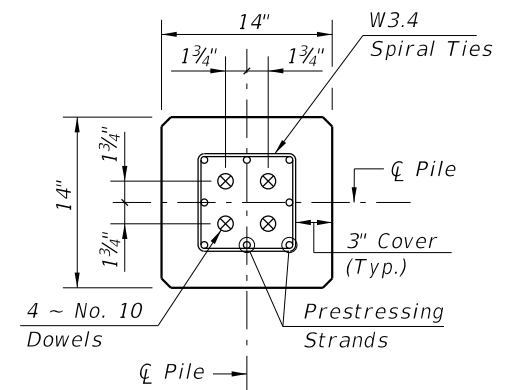
ALTERNATE STRAND PATTERNS

- 8 ~ 0.6" Ø, Grade 270 LRS, at 33 kips
- 8 ~ 1/2" Ø (Spec), Grade 270 LRS, at 31 kips
- 8 ~ 1/2" Ø, Grade 270 LRS, at 31 kips
- 12 ~ 7/16" Ø, Grade 270 LRS, at 21 kips
- 16 ~ 3/8" Ø, Grade 270 LRS, at 16 kips

NOTE:
 Any of the given Alternate Strand Patterns may be utilized.
 The strands shall be located as follows:
 Place one strand at each corner and place the remaining strands equally spaced between the corner strands.
 The total strand pattern shall be concentric with the nominal concrete section of the pile.




SECTION D-D
 (See Nondrivable Unforeseen Reinforced Precast Splice Detail)



SECTION E-E
 (See Drivable Unforeseen Prestressed Precast Splice Detail)

PILE SPLICE REINFORCEMENT DETAILS

NOTE:
 Work this Index with Index No. 20600 - Notes and Details for Square Prestressed Concrete Piles and Index No. 20601 - Square Prestressed Concrete Pile Splices.

REVISIONS						2010 Interim Design Standard		Interim Date	Sheet No.
DATE	BY	DESCRIPTION	DATE	BY	DESCRIPTION			07/01/10	1 of 1
07/01/10	GJM	"ALTERNATE STRAND PATTERNS" Added: "12 ~ 7/16" Ø, Grade 270 LRS, at 21 kips" and "16 ~ 3/8" Ø, Grade 270 LRS, at 16 kips"; Changed: 8 ~ 0.6" Ø, Grade 270 LRS, to "33 kips", 8 ~ 1/2" Ø (Spec) Grade 270 LRS, to "31 kips". Deleted: "SR" strand pattern options.							
								14" SQUARE PRESTRESSED CONCRETE PILE	