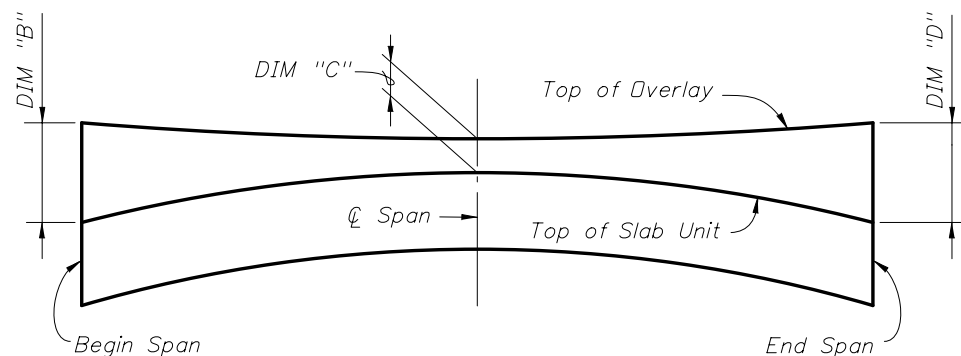
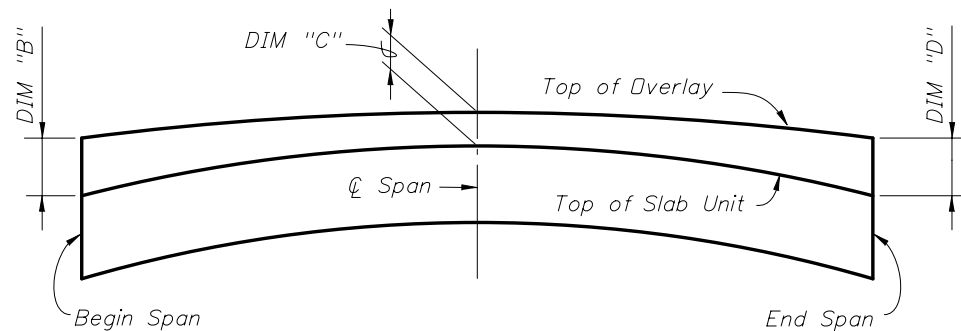


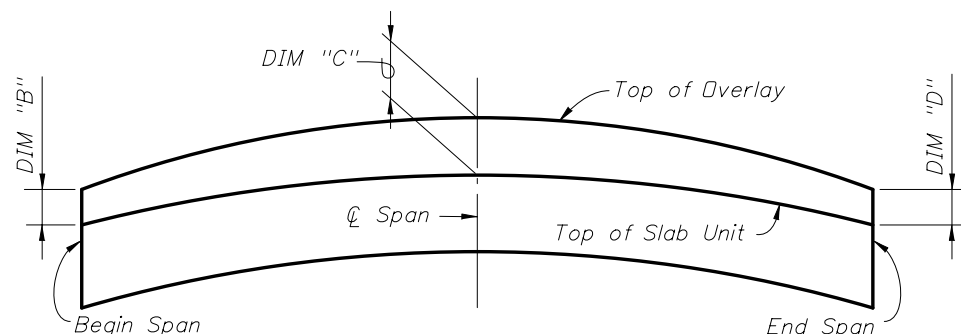
OVERLAY DIAGRAM FOR TANGENT SPANS
(ALONG C SLAB UNIT) (CASE 1)



OVERLAY DIAGRAM FOR SAG VERTICAL CURVE SPANS
- CONTROL AT C SPAN
(ALONG C SLAB UNIT) (CASE 2)



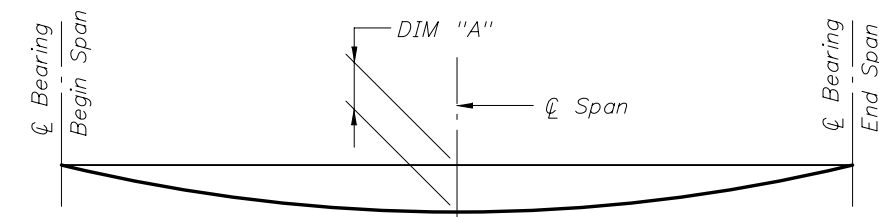
OVERLAY DIAGRAM FOR CREST VERTICAL CURVE SPANS
- CONTROL AT C SPAN
(ALONG C SLAB UNIT) (CASE 3)



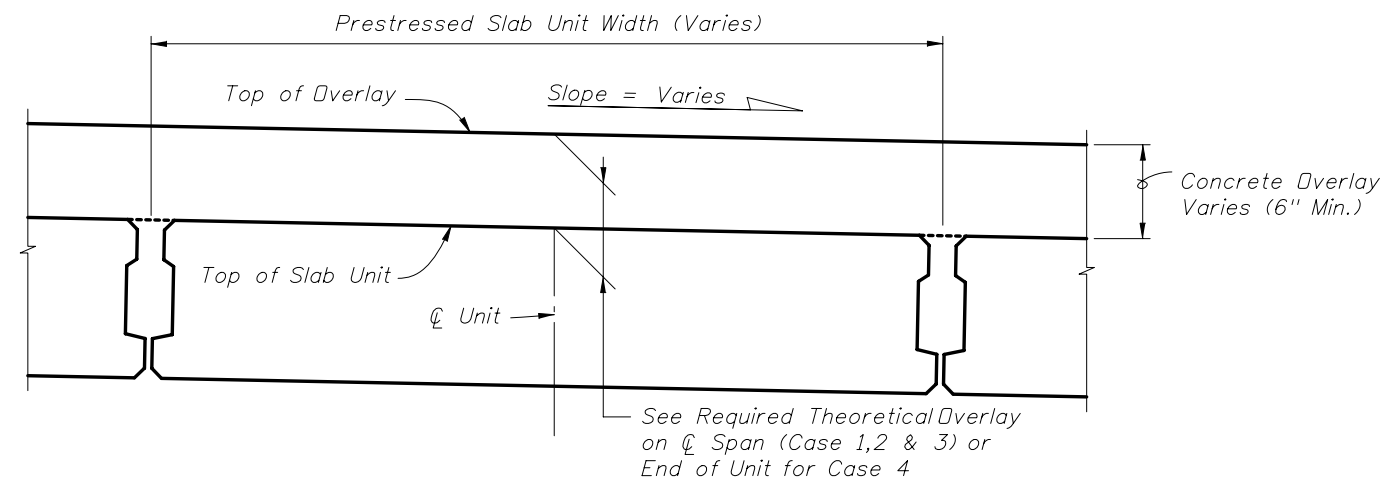
OVERLAY DIAGRAM FOR CREST VERTICAL CURVE SPANS
- CONTROL AT BEGIN OR END SPAN
(ALONG C SLAB UNIT) (CASE 4)

PRESTRESSED SLAB UNIT CAMBER AND OVERLAY NOTES:

The overlay values given in the table are based on theoretical unit cambers. The Contractor shall monitor unit cambers for the purpose of predicting camber values at the time of the deck pour. If the predicted cambers based on field measurements differ more than $\pm 1/2$ " from the theoretical "Net Unit Camber @ 120 Days" shown in the table, propose modified overlay dimensions as required and submit to the Engineer for approval a minimum of 21 days prior to casting overlay concrete.



DEAD LOAD DEFLECTION DIAGRAM



OVERLAY ON SLAB UNITS

INSTRUCTIONS TO DESIGNER:

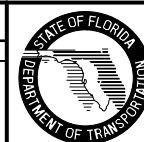
Although not shown here in the Diagrams or Notes, the effect of Horizontal Curvature, when present, needs to be considered for the Overlay Calculations.

NOTE:

Work this Index with the Overlay and Deflection Data Table for Prestressed Slab Units in Structures Plans.

REVISIONS

DATE	BY	DESCRIPTION	DATE	BY	DESCRIPTION
01/01/10	TJB	New Design Standard			



2010 Interim Design Standard

**OVERLAY & DEFLECTION DATA
FOR PRESTRESSED SLAB UNITS**

Interim Date	Sheet No.
01/01/10	1 of 1
Index No. 20399	