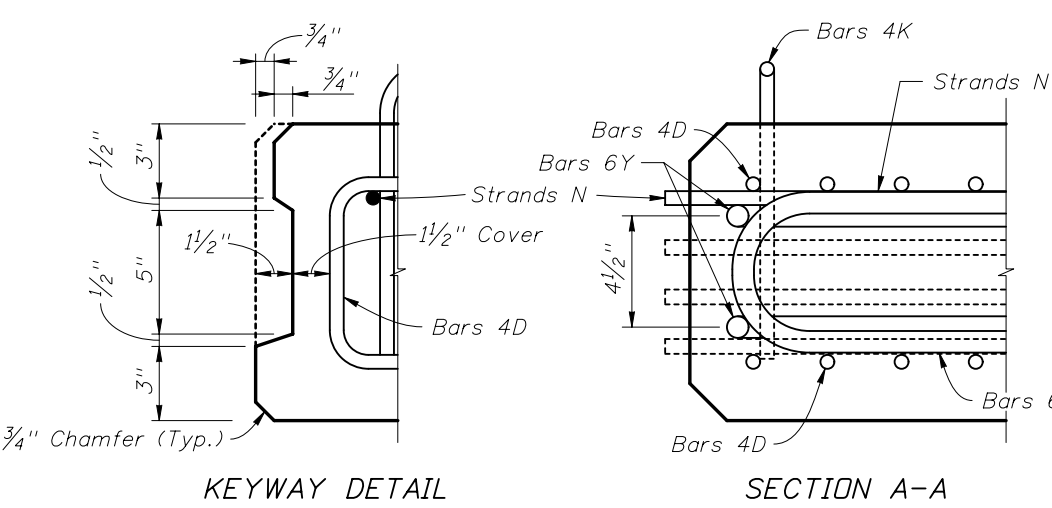


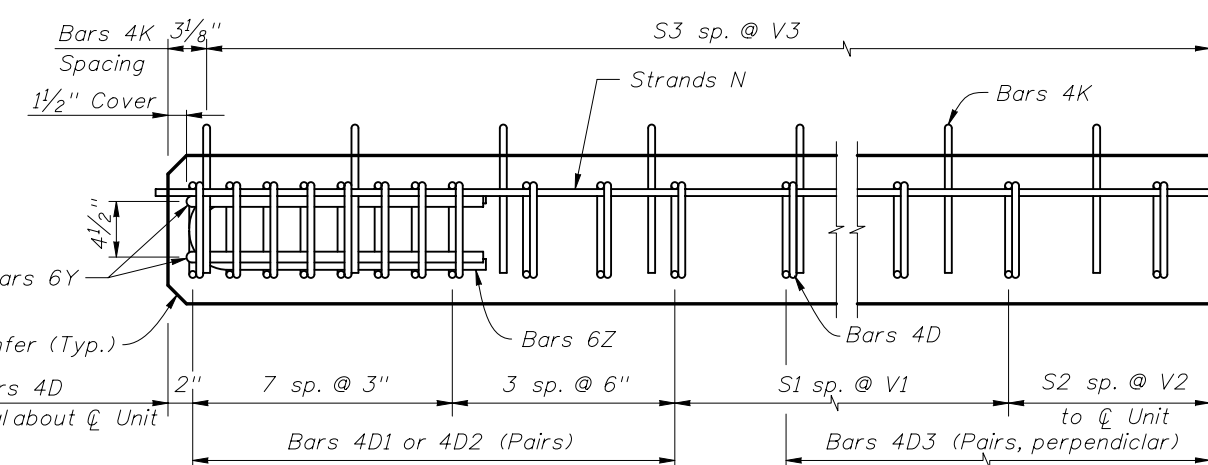
TYPICAL SECTION

PLAN AT END OF PRESTRESSED SLAB UNIT



KEYWAY DETAIL

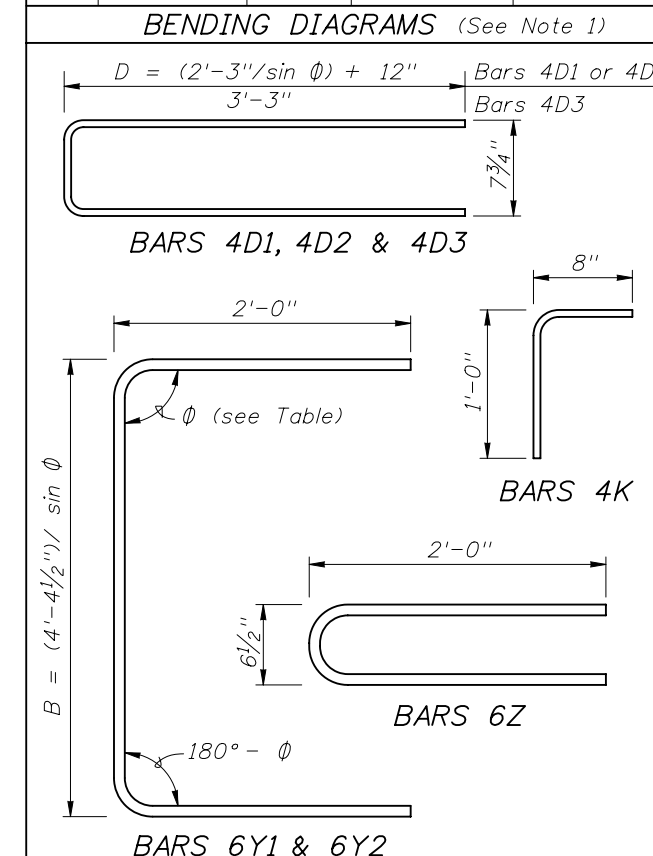
SECTION A-A



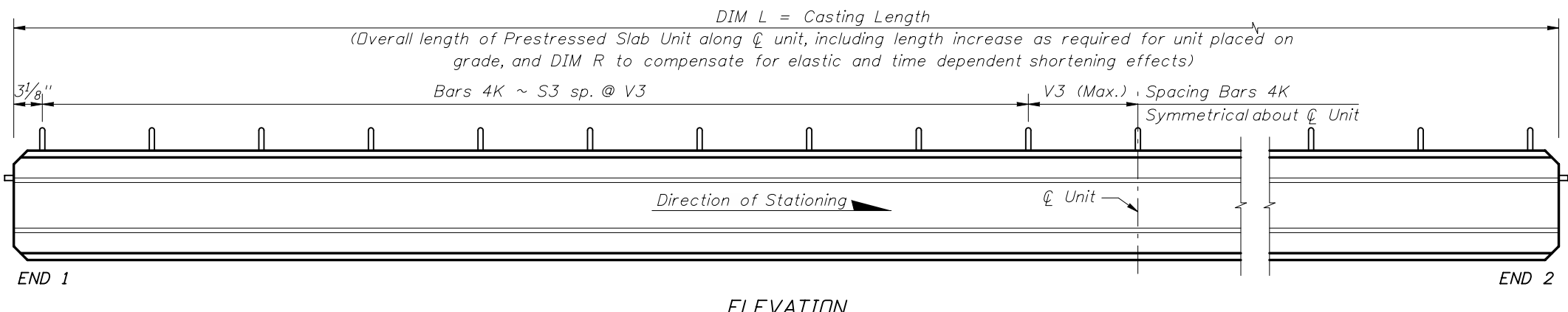
ELEVATION AT END OF PRESTRESSED SLAB UNIT

**BILL OF REINFORCING STEEL FOR ONE UNIT ONLY**

MARK	NOTE NUMBERS	SIZE	NUMBER REQUIRED	LENGTH (NOTE 1)
D1	4, 5, 10	4	20 (End 1)*	Varies
D2	4, 5, 10	4	20 (End 2)*	Varies
D3	5	4	See Table	7'-2"
K	4, 5	4	See Table	1'-8"
N	2, 8	3/8" Ø Strands	4	Dim. L + 2"
Y1	4, 10	6	2 (End 1)	Varies
Y2	4, 10	6	2 (End 2)	Varies
Z	-	6	6	4'-7"



**NOTES:**  
 Work this Index with Index No. 20350 and Prestressed Standard Slab Units - Table of Variables in Structures Plans.  
 For referenced notes, see Index No. 20350.  
 For Dimensions B, D, L, R, V1 thru V3 and number of spaces S1 thru S3, see Prestressed Standard Slab Units - Table of Variables in Structures Plans.  
 \* See Note 4 for additional Bars 4D1 or 4D2 for skewed units.



ELEVATION