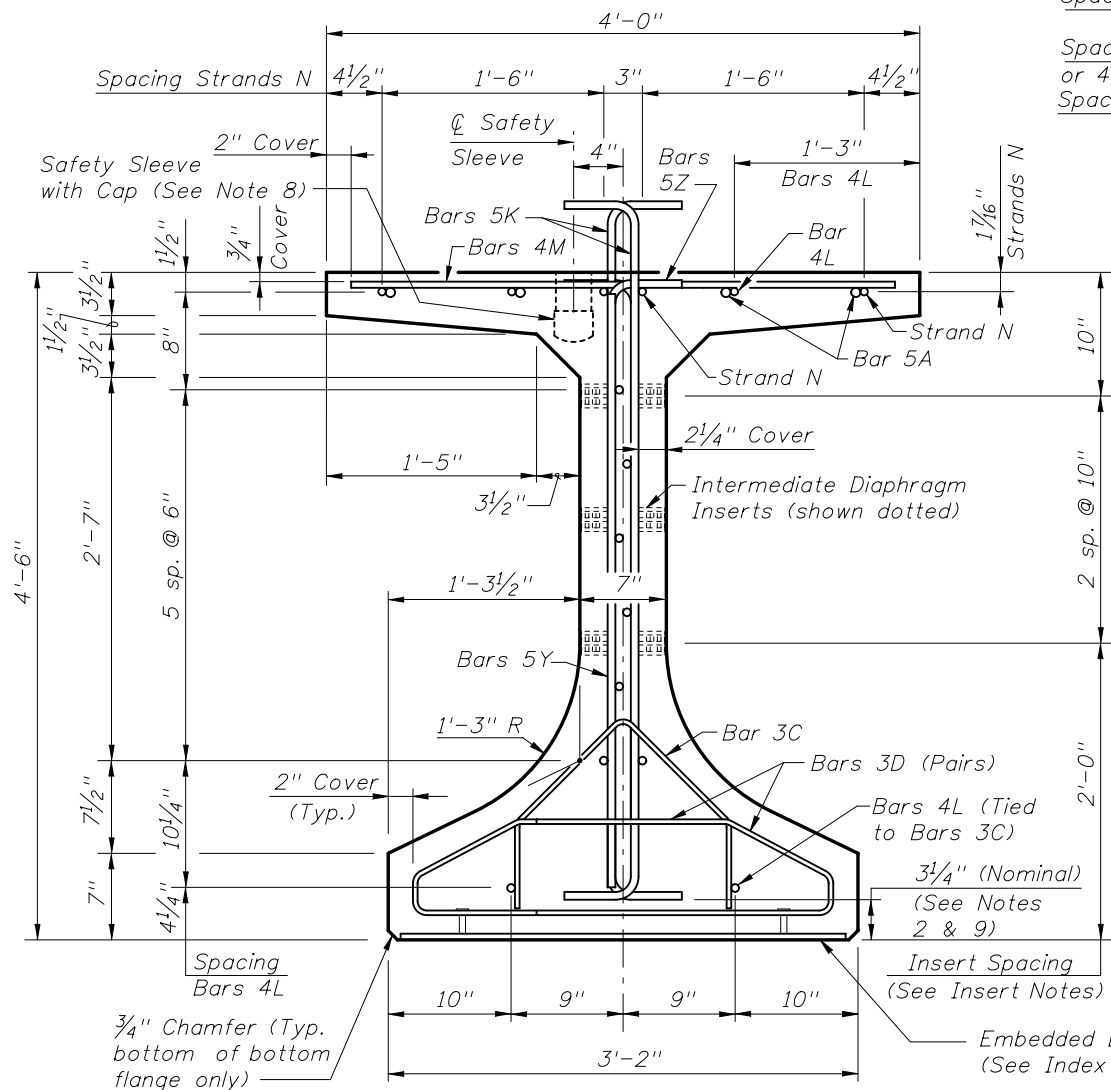
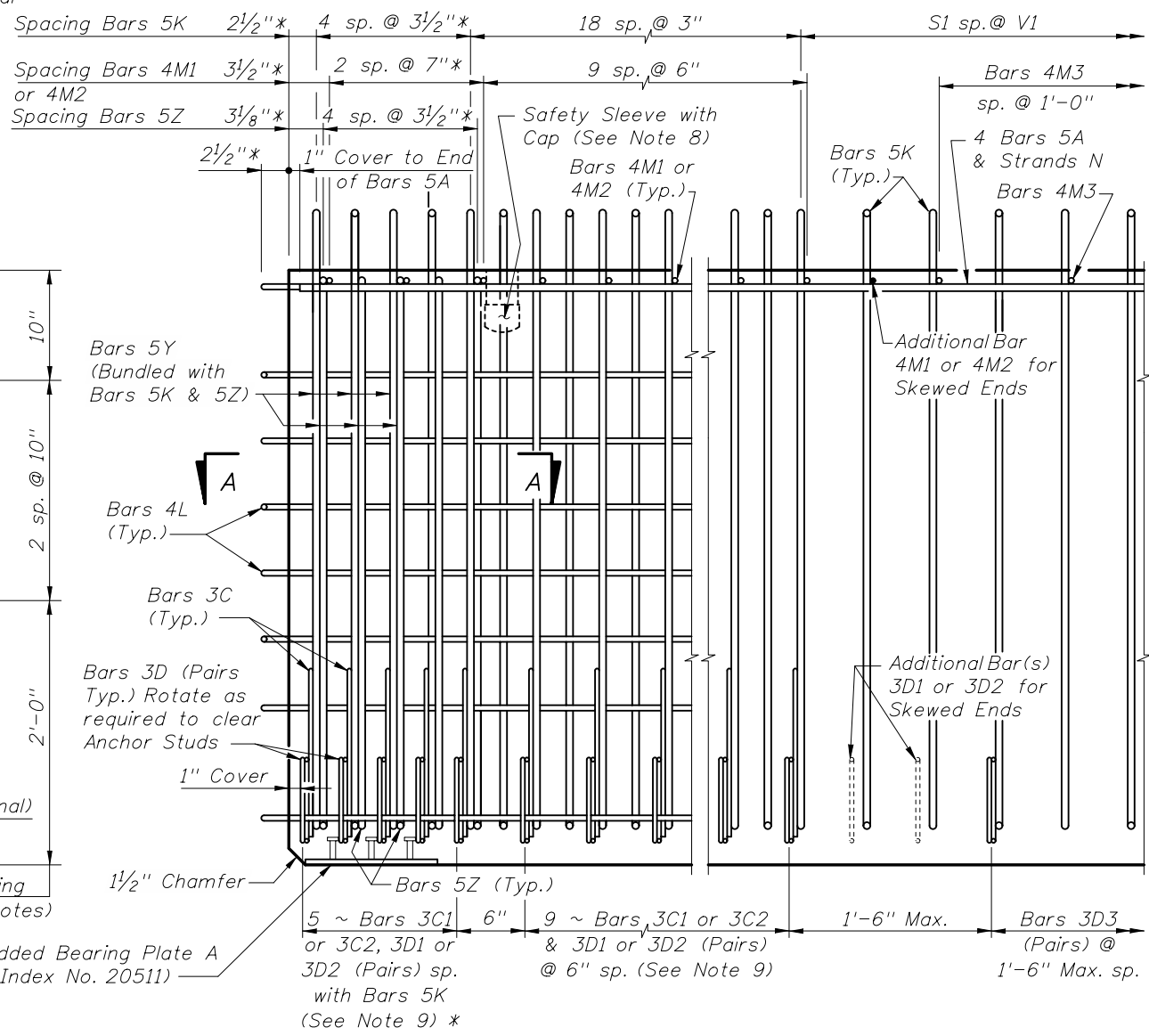


* These dimensions are measured perpendicular to the end of beam



END VIEW

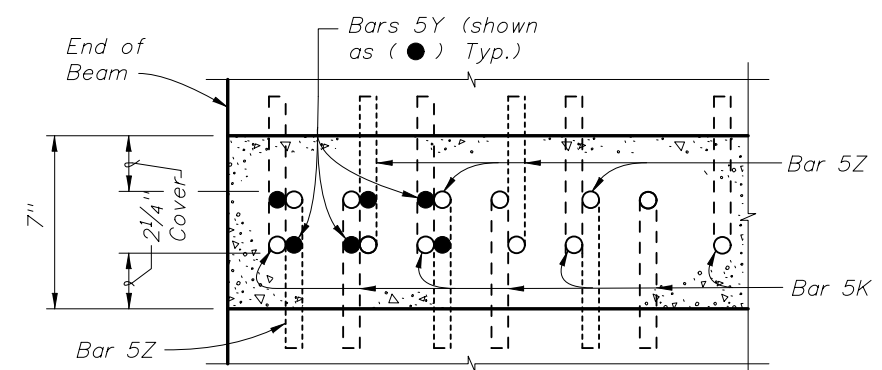
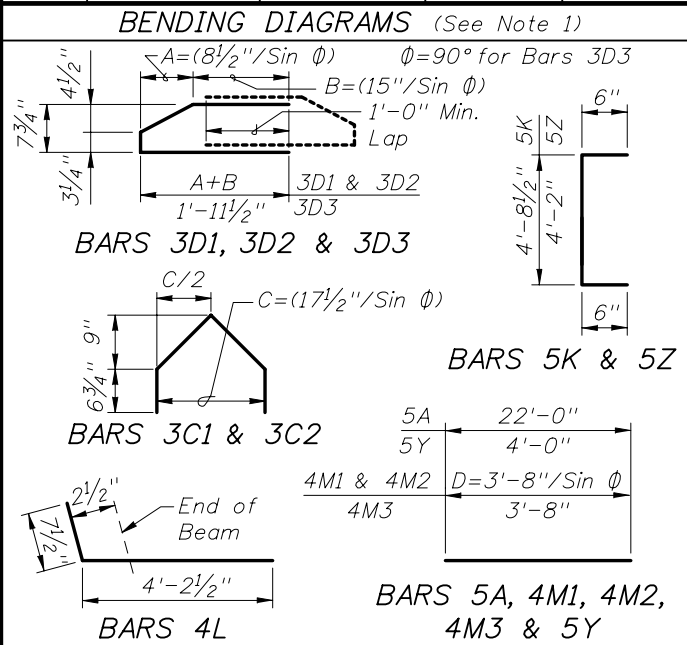


ELEVATION AT END OF BEAM
(Flanges Not Shown For Clarity)
(End 1 Shown, End 2 Similar)

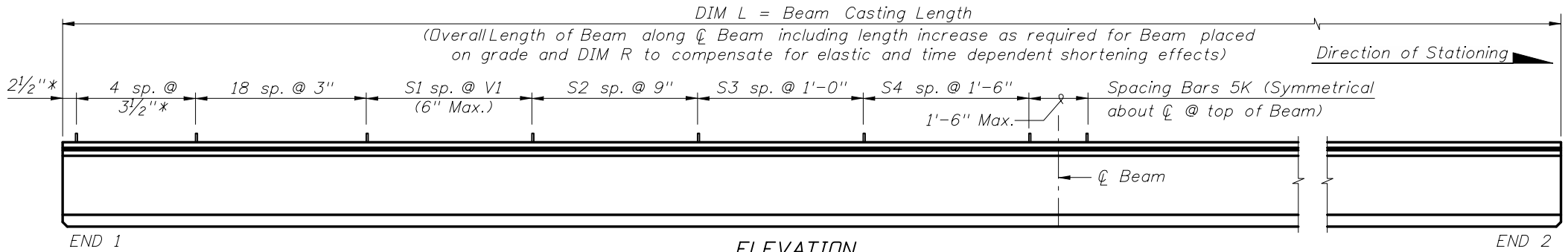
CONVENTIONAL REINFORCING BAR BENDING DETAILS

BILL OF REINFORCING STEEL

MARK	NOTE NUMBERS	SIZE	NUMBER REQUIRED	LENGTH (NOTE 1)
A	—	5	8	22'-0"
C1	9, 10 & 11	3	14 (End 1)	Varies
C2	9, 10 & 11	3	14 (End 2)	Varies
D1	9, 10, 11 & 14	3	28 (End 1)	Varies
D2	9, 10, 11 & 14	3	28 (End 2)	Varies
D3	9 & 14	3	See Table	4'-3"
K	2, 9, 11 & 13	5	See Table	5'-8"
L	3 & 4	4	22	4'-10"
M1	9 & 10	4	12 (End 1)	Varies
M2	9 & 10	4	12 (End 2)	Varies
M3	9	4	See Table	3'-8"
N	5	3/8" Φ Strand	4	DIM L+5"
Y	9 & 11	5	12	4'-0"
Z	2, 9, 11 & 13	5	10	5'-2"



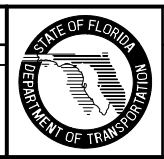
SECTION A-A FOR CONVENTIONAL REINFORCING
(Showing Bars 5K, 5Y & 5Z Only)



ELEVATION

REVISIONS

DATE	BY	DESCRIPTION	DATE	BY	DESCRIPTION
01/01/10	RMS	New Design Standard			



2010 Interim Design Standard
FLORIDA-I 54 BEAM - STANDARD DETAILS

Interim Date
01/01/10
Sheet No.
1 of 2
Index No.
20054

