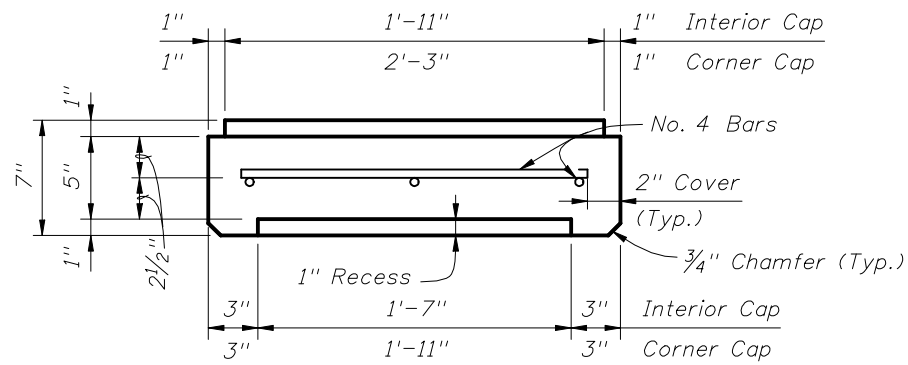


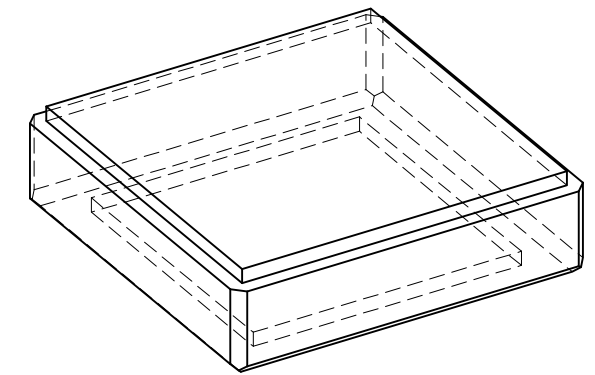
PLAN VIEW

(Type "A" Cap Shown, Type "B" & "C" Caps Similar)

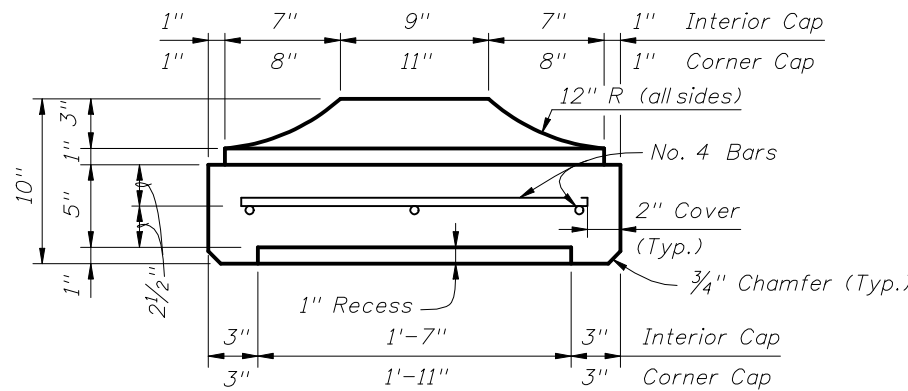


SECTION C-C

TYPE "A" CAP DETAILS

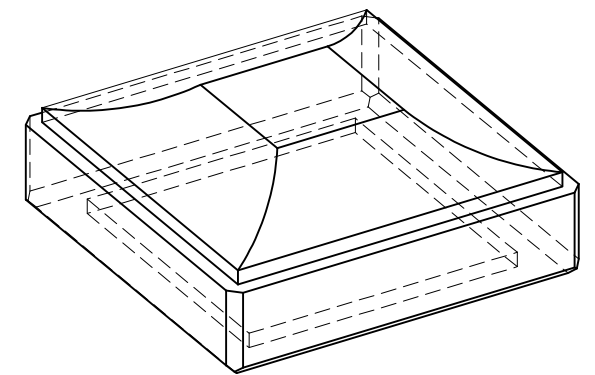


PICTORIAL VIEW

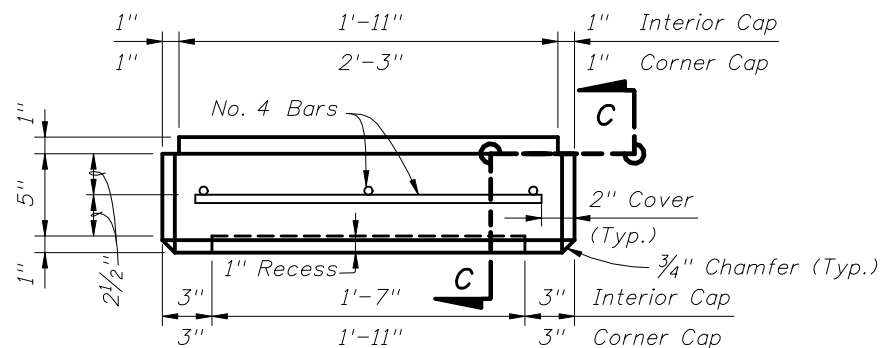


SECTION C-C

TYPE "B" CAP DETAILS

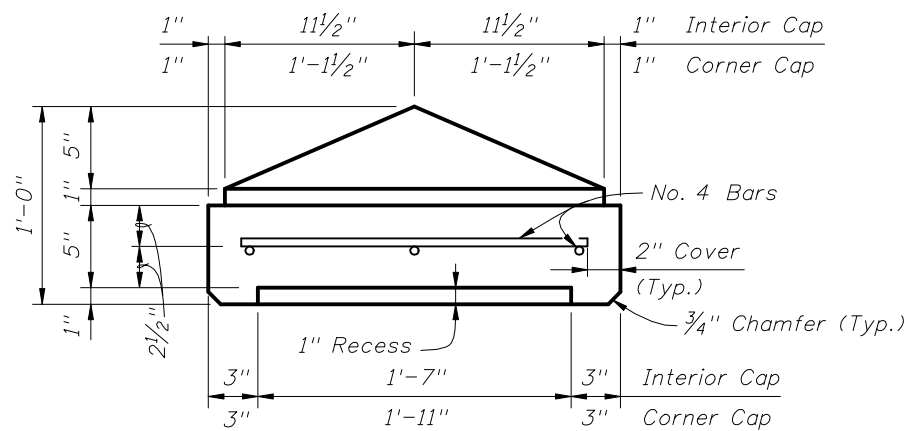


PICTORIAL VIEW



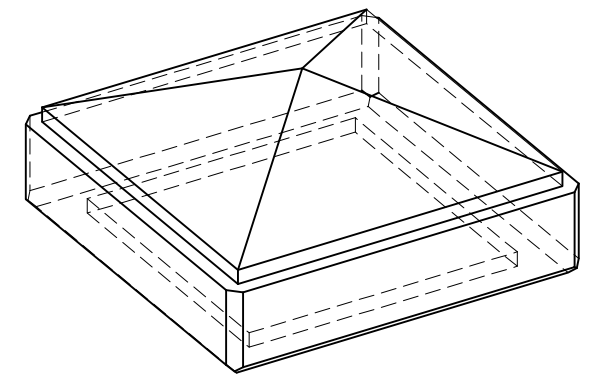
VIEW A-A SHOWN, VIEW B-B SIMILAR

(Type "A" Cap Shown, Type "B" & "C" Caps Similar)

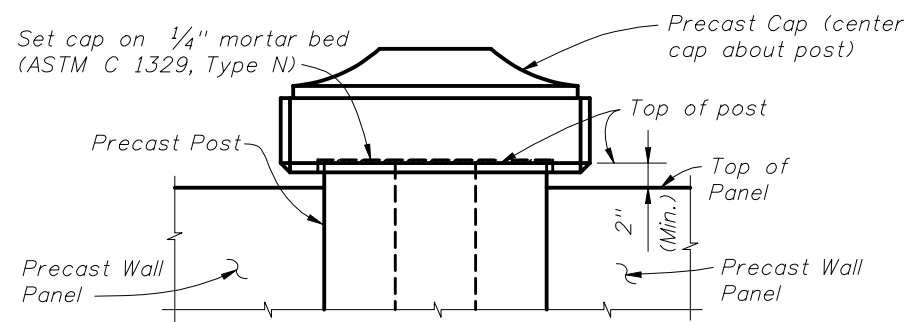


SECTION C-C

TYPE "C" CAP DETAILS



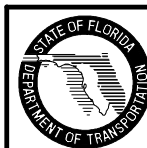
PICTORIAL VIEW



CAP PLACEMENT DETAIL

(Type "B" Cap Shown, Type "A" & "C" Caps Similar)

NOTE: See Index No. 5200 for concrete and reinforcing notes.



2010 FDOT Design Standards

**PRECAST SOUND BARRIERS
- PRECAST POST CAPITAL**

Last Revision	Sheet No.
07/01/08	1 of 1
Index No.	
5207	