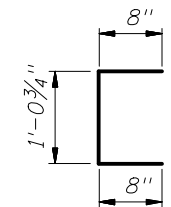


BAR BENDING DETAILS

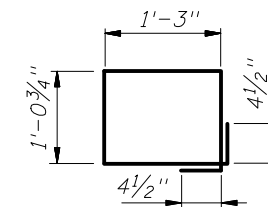
All bar dimensions in bending diagrams are out-to-out. All bars not shown in the bending diagrams are straight.

POST & PILE



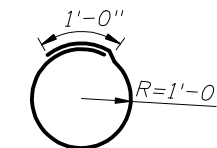
BAR P1

Bar Length = 2'-5"



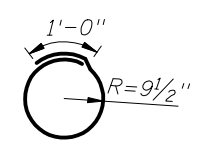
BAR P2

Bar Length = 5'-5"



BAR P3

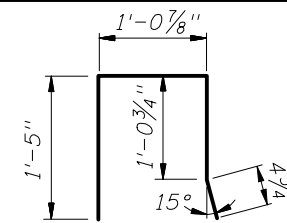
Bar Length = 7'-4"



BAR P4

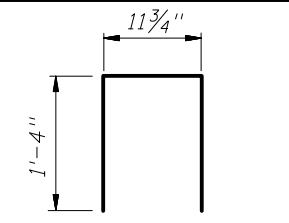
Bar Length = 6'-0"

90° CORNER POST & PILE



BAR P5

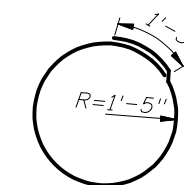
Bar Length = 3'-9 1/4"



BAR P6

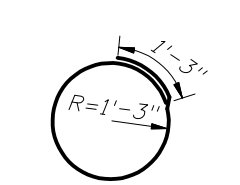
Bar Length = 3'-5 1/2"

CAST-IN-PLACE COLLAR



BAR P9

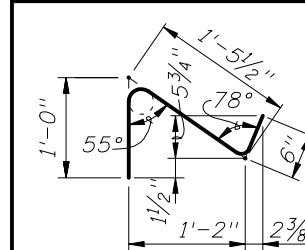
Bar Length = 10'-2"



BAR P10

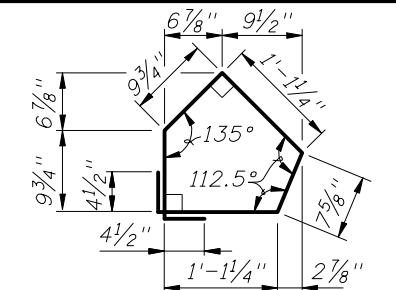
Bar Length = 9'-2"

45° CORNER POST & PILE



BAR P7 (POST)

Bar Length = 2'-8"



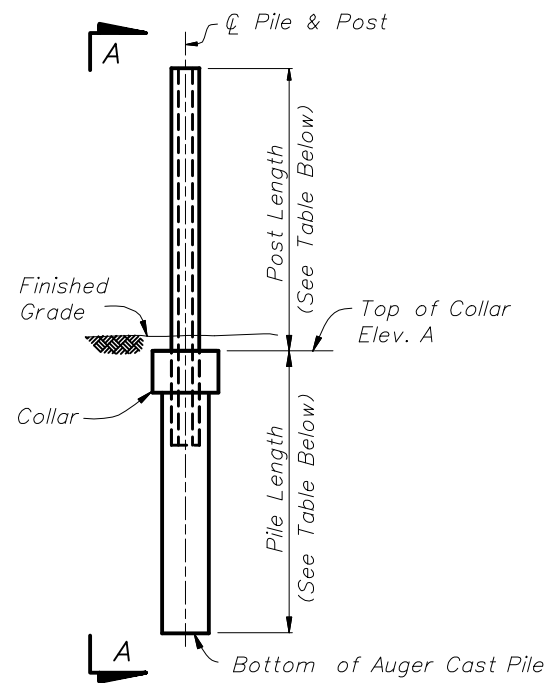
BAR P8 (PILE)

Bar Length = 5'-0 1/4"

NOTES:

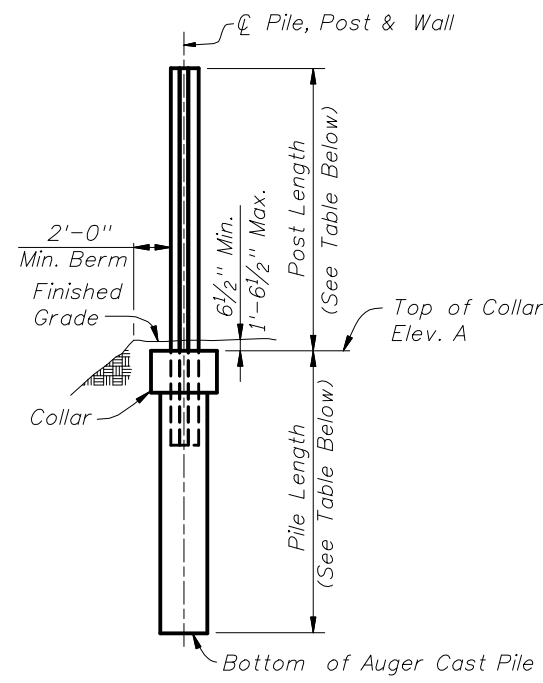
- Bars A, B & P1 are used in Options A, B & E.
- Bars C are only used in Option A.
- Bars C2 are only used in Option B.
- Bars P2 are used in Options A & E.
- Bars P3 are only used in Option A.
- Bars P4 are only used in Option B.
- Bars P5 & P6 are only used in 90° Corner Posts.
- Bars P7 & P8 are only used in 45° Corner Posts.
- Bars P9 & P10 are used in the Cast-In-Place Collar Options.

For Bar Designations, See Index No. 5205.



PILE/POST ELEVATION

(Pile/Post Connection Option A Shown)



VIEW A-A

(Pile/Post Connection Option A Shown)

POST AND PILE DIMENSIONS

WALL TYPE	POST LENGTH WITHOUT CAP	POST LENGTH WITH CAP	PILE LENGTH OPTION A		PILE LENGTH OPTIONS B, C, D & E		PILE/POST REINFORCING												CAST-IN-PLACE COLLAR	
			10'-0" POST SPACING	20'-0" POST SPACING	10'-0" POST SPACING	20'-0" POST SPACING	10'-0" POST SPACING			20'-0" POST SPACING			BARS C	BARS C2	BARS P1, P2, P3, P4, P5, P6, P7 & P8	BARS P9	BARS P10			
							BARS A	BARS B	BARS D	BARS A	BARS B	BARS D								
A	12'-0 1/2"	12'-2 1/2"	11'-0"	14'-0"	12'-0"	15'-0"	#4	#4	10'-0"	#4	#5	#5	9'-0"	#6	#9	#7	#4	#5	#5	
B	13'-0 1/2"	13'-2 1/2"	11'-0"	15'-0"	12'-0"	16'-0"	#4	#4	10'-7"	#5	#5	#5	8'-10"	#7	#9	#7	#4	#5	#5	
C	14'-0 1/2"	14'-2 1/2"	12'-0"	16'-0"	13'-0"	17'-0"	#4	#4	10'-5"	#5	#6	#6	10'-4"	#7	#9	#7	#4	#5	#5	
D	15'-0 1/2"	15'-2 1/2"	12'-0"	17'-0"	13'-0"	18'-0"	#5	#5	12'-11"	#6	#6	#6	10'-3"	#8	#9	#7	#4	#5	#5	
E	16'-0 1/2"	16'-2 1/2"	13'-0"	17'-0"	14'-0"	18'-0"	#5	#5	12'-9"	#6	#7	#7	11'-10"	#8	#9	#7	#4	#5	#5	
F	17'-0 1/2"	17'-2 1/2"	14'-0"	18'-0"	14'-0"	19'-0"	#5	#5	12'-7"	#6	#7	#7	11'-8"	#9	#9	#7	#4	#5	#5	
G	18'-0 1/2"	18'-2 1/2"	14'-0"	19'-0"	15'-0"	20'-0"	#6	#6	14'-11"	#7	#8	#8	13'-1"	#10	#9	#7	#4	#5	#5	
H	19'-0 1/2"	19'-2 1/2"	15'-0"	20'-0"	15'-0"	21'-0"	#6	#6	14'-10"	#7	#8	#8	13'-0"	#10	#9	#7	#4	#5	#5	
I	20'-0 1/2"	20'-2 1/2"	15'-0"	21'-0"	16'-0"	22'-0"	#6	#6	14'-9"	#8	#9	#9	14'-3"	#11	#9	#7	#4	#5	#5	
J	21'-0 1/2"	21'-2 1/2"	16'-0"	22'-0"	16'-0"	24'-0"	#6	#6	14'-8"	#8	#9	#9	14'-2"	#11	#9	#7	#4	#5	#5	
K	22'-0 1/2"	22'-2 1/2"	16'-0"	23'-0"	17'-0"	26'-0" *	#7	#7	17'-1"	#8	#9	#9	14'-1"	2~ #14 & 1~ #9	#9	#7	#4	#5	#5	

* For SteelPost Option "D", use 30'-0".

TABLE OF REINFORCING STEEL

PILE/POST REINFORCING												CAST-IN-PLACE COLLAR				
			10'-0" POST SPACING			20'-0" POST SPACING			BARS C		BARS C2		BARS P1, P2, P3, P4, P5, P6, P7 & P8		BARS P9	BARS P10
			BARS A	BARS B	BARS D	BARS A	BARS B	BARS D	SIZE	SIZE	SIZE	SIZE	SIZE	SIZE	SIZE	SIZE
			SIZE	SIZE	DIM 'A'	SIZE	SIZE	DIM 'A'	SIZE	SIZE	DIM 'A'	SIZE	SIZE	SIZE	SIZE	SIZE
A	12'-0 1/2"	12'-2 1/2"	#4	#4	10'-0"	#4	#5	#5	9'-0"	#6	#9	#7	#4	#5	#5	#5
B	13'-0 1/2"	13'-2 1/2"	#4	#4	10'-7"	#5	#5	#5	8'-10"	#7	#9	#7	#4	#5	#5	#5
C	14'-0 1/2"	14'-2 1/2"	#4	#4	10'-5"	#5	#6	#6	10'-4"	#7	#9	#7	#4	#5	#5	#5
D	15'-0 1/2"	15'-2 1/2"	#5	#5	12'-11"	#6	#6	#6	10'-3"	#8	#9	#7	#4	#5	#5	#5
E	16'-0 1/2"	16'-2 1/2"	#5	#5	12'-9"	#6	#7	#7	11'-10"	#8	#9	#7	#4	#5	#5	#5
F	17'-0 1/2"	17'-2 1/2"	#5	#5	12'-7"	#6	#7	#7	11'-8"	#9	#9	#7	#4	#5	#5	#5
G	18'-0 1/2"	18'-2 1/2"	#6	#6	14'-11"	#7	#8	#8	13'-1"	#10	#9	#7	#4	#5	#5	#5
H	19'-0 1/2"	19'-2 1/2"	#6	#6	14'-10"	#7	#8	#8	13'-0"	#10	#9	#7	#4	#5	#5	#5
I	20'-0 1/2"	20'-2 1/2"	#6	#6	14'-9"	#8	#9	#9	14'-3"	#11	#9	#7	#4	#5	#5	#5
J	21'-0 1/2"	21'-2 1/2"	#6	#6	14'-8"	#8	#9	#9	14'-2"	#11	#9	#7	#4	#5	#5	#5
K	22'-0 1/2"	22'-2 1/2"	#7	#7	17'-1"	#8	#9	#9	14'-1"	2~ #14 & 1~ #9	#9	#7	#4	#5	#5	#5

NOTE: USE THIS INDEX ONLY WHEN SOIL SPT N VALUES ARE BETWEEN 10 AND 40



2010 FDOT Design Standards

**PRECAST SOUND BARRIERS -
PILE DEPTH AND REINFORCING SUMMARY**

Last Revision: 07/01/08
Sheet No. 1 of 1
Index No. 5206