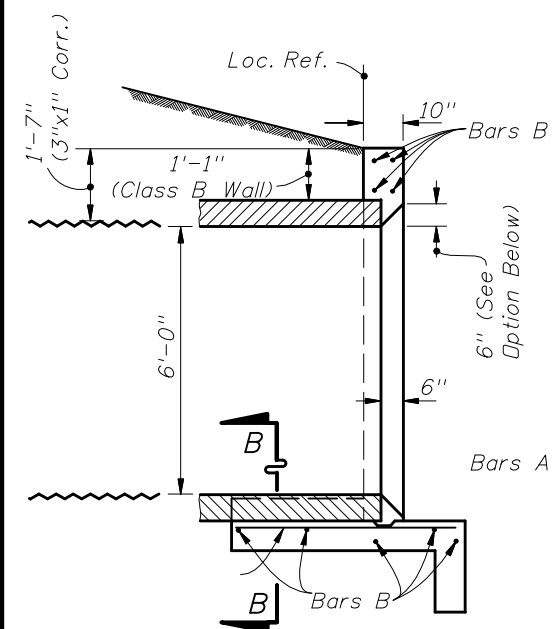
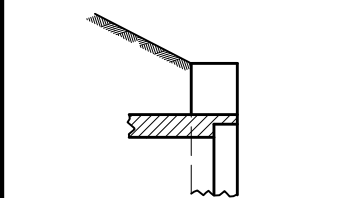


SECTION BB

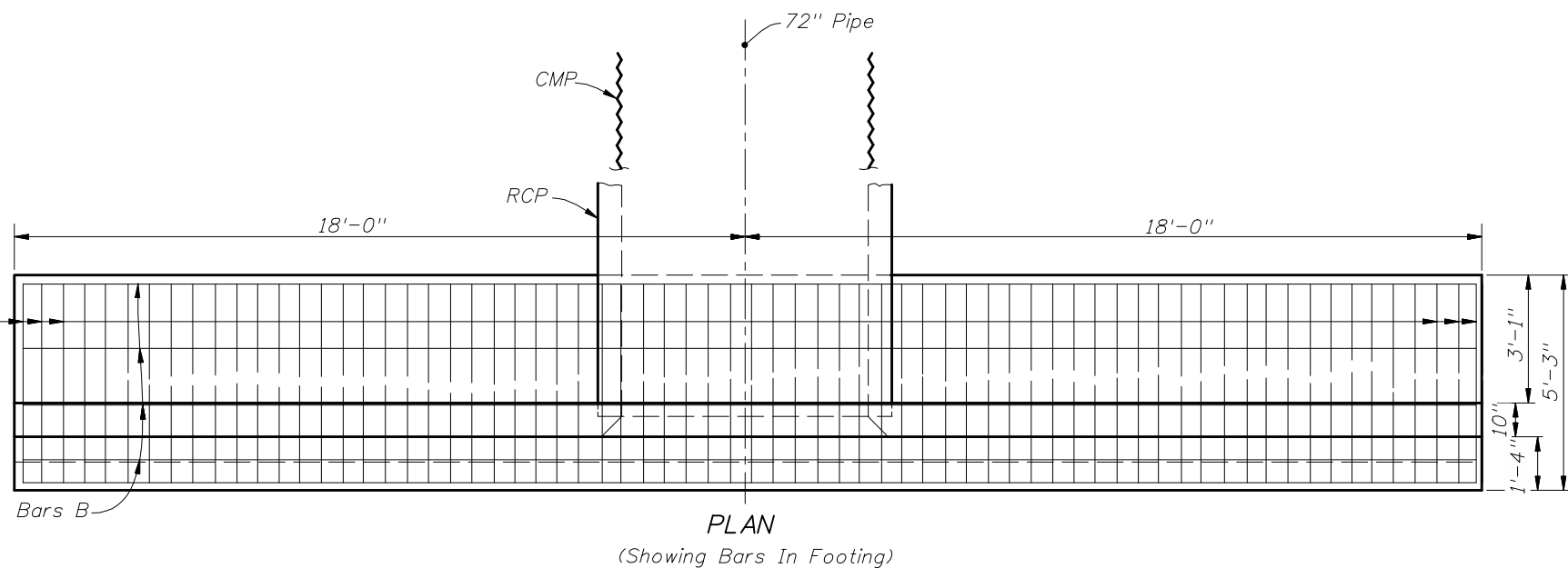


SECTION AA

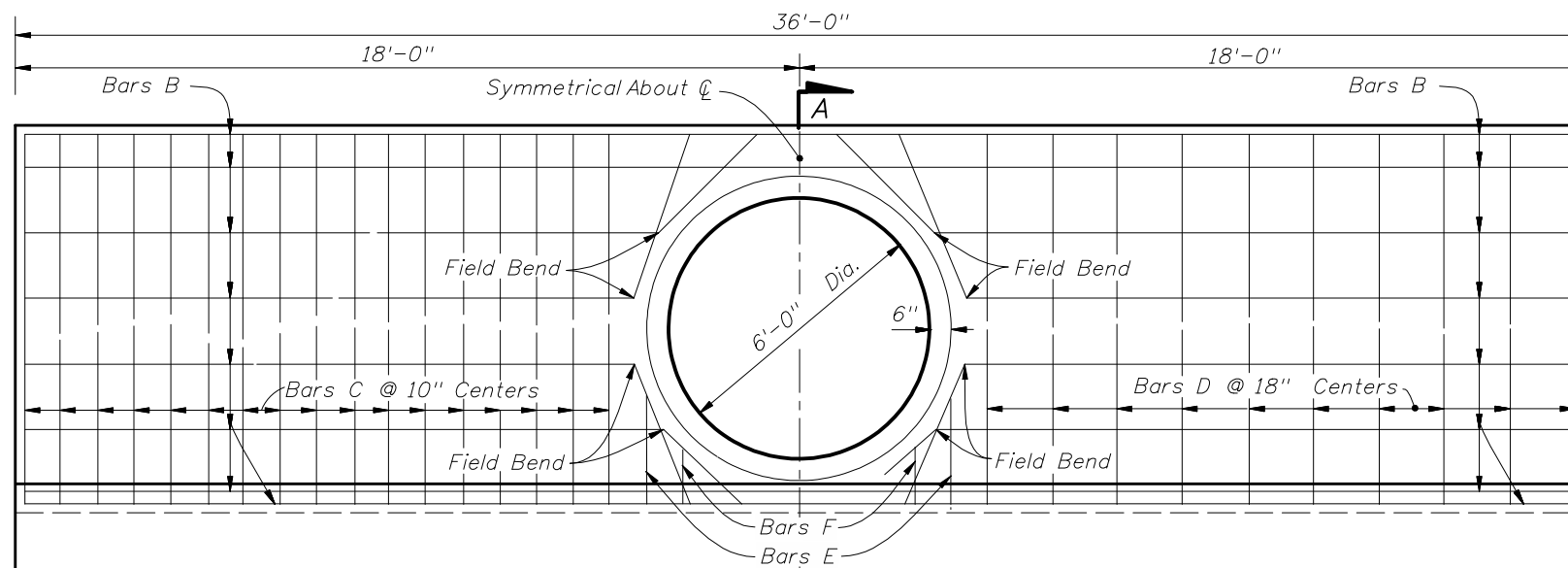


OPTIONAL ENTRANCE FOR CONCRETE PIPE

1. Straight concrete endwalls are intended for use outside the clear zone.
2. Endwalls may be cast-in-place or precast construction. Cast-in-place endwalls shall conform to the details on this index, design specifications AASHTO 1989. Precast construction which adheres to this Index, including any additional reinforcement required for handling which shall be determined by the Contractor or supplier, does not require additional approvals. Deviations from this Index, for precast units, shall require the approval of the State Drainage Engineer prior to construction. For precast construction, see Index No. 201 for opening and grouting details.
3. Reinforcing steel shall be either Grade 40 or 60.
4. Concrete shall be Class II, except ASTM C478 (4000 psi) concrete may be substituted for precast items manufactured in plants meeting the requirements of Section 449 of the Specifications.



PLAN  
(Showing Bars In Footing)



HALF ELEVATION  
(Showing Bars In Back Face Of Wall)



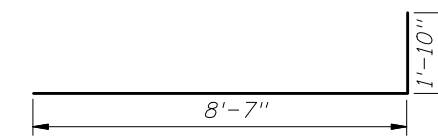
HALF ELEVATION  
(Showing Bars In Front Face Of Wall)

GENERAL NOTES

5. Chamfer: All exposed edges and corners to be chamfered  $\frac{3}{4}$ " unless otherwise shown.
6. That portion of corrugated Metal pipe in direct contact with the concrete slab and extending 12" beyond shall have a continuous bituminous coating of 0.004" minimum thickness coated applied prior to placing of the concrete.
7. Sodding shall be in accordance with Index No. 281 and paid for under the contract unit price for Performance Turf, SY.
8. Basis of payment for either cast-in-place or precast construction shall be the estimated quantities tabulated on the Index. Concrete and reinforcing steel shall be paid for under the contract unit prices for Class II Concrete (Endwalls), CY and Reinforcing Steel (Roadway), LB.

| BILL OF REINFORCING STEEL |      |           |        |                |          |
|---------------------------|------|-----------|--------|----------------|----------|
| MARK                      | SIZE | NO. REQD. | LENGTH | LOCATION       | BENDING  |
| A                         | 5    | 68        | 4'-11" | Footing        | Straight |
| B                         | 4    | 17        | 35'-8" | Footing & Wall | Straight |
| C                         | 5    | 34        | 10'-5" | Wall           | Bend     |
| D                         | 4    | 20        | 8'-7"  | Wall           | Straight |
| E                         | 4    | 4         | 2'-6"  | Wall           | Straight |
| F                         | 4    | 4         | 1'-6"  | Wall           | Straight |

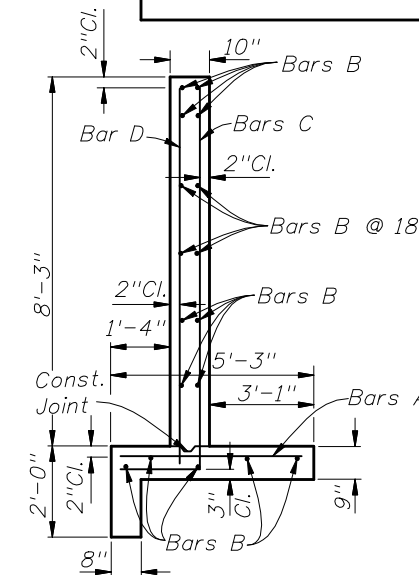
BENDING DIAGRAM



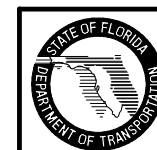
NOTE: All bar dimensions are out to out

ESTIMATED QUANTITIES

| ITEM              | UNIT    | RCP  | CMP  |
|-------------------|---------|------|------|
| Class II Concrete | Cu. Yd. | 14.4 | 14.5 |
| Reinforcing Steel | Lb.     | 1249 | 1249 |



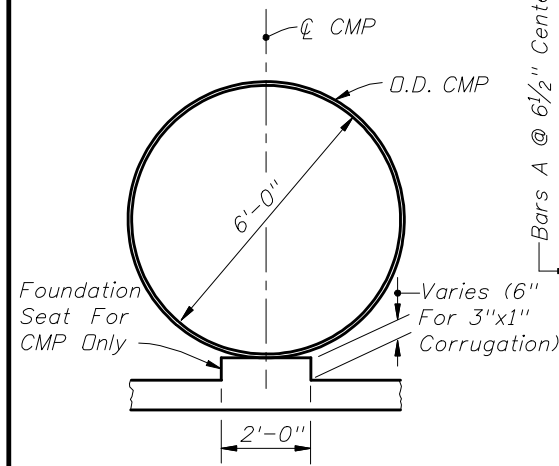
TYPICAL SECTION THRU ENDWALL



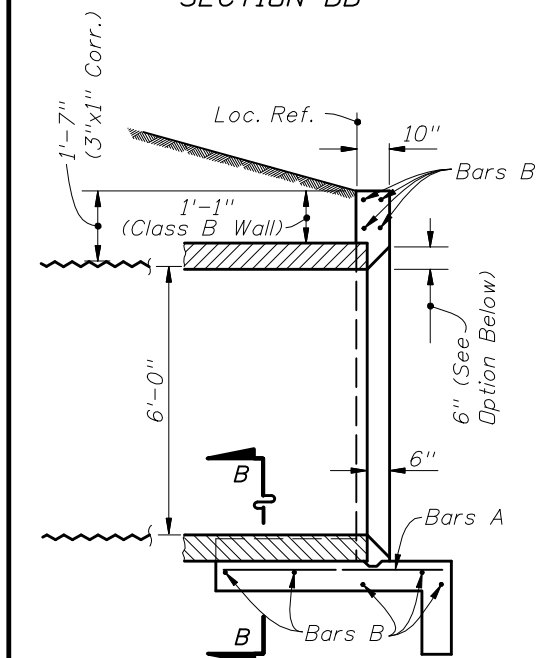
2010 FDOT Design Standards

STRAIGHT CONCRETE ENDWALLS  
SINGLE AND DOUBLE 72" PIPE

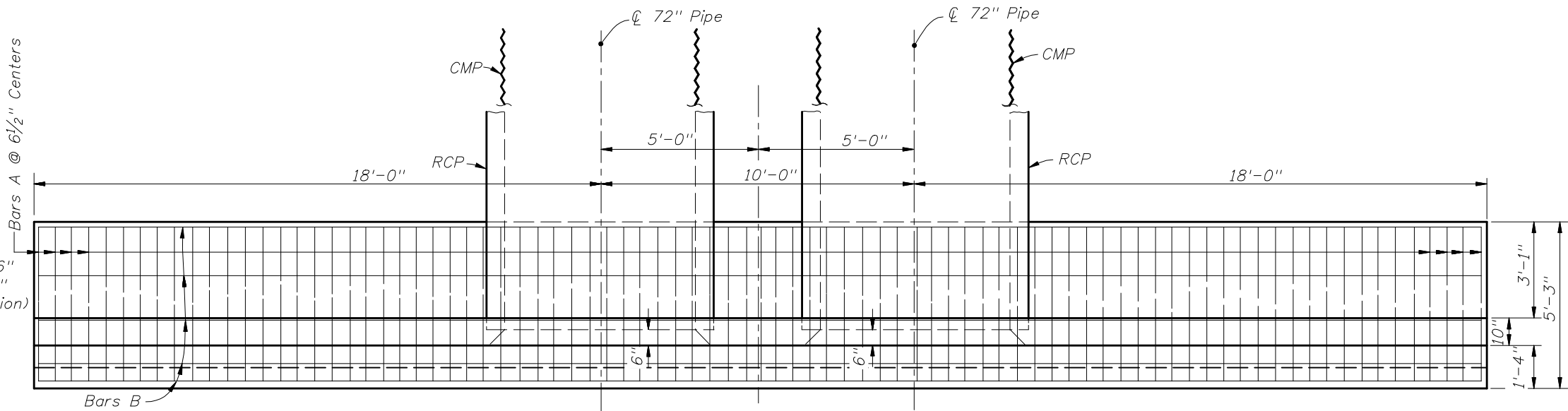
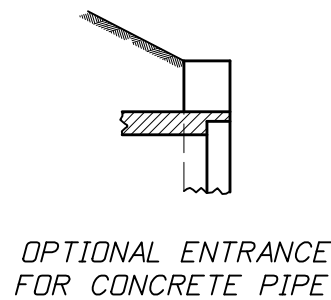
|               |           |
|---------------|-----------|
| Last Revision | Sheet No. |
| 07/01/09      | 1 of 2    |
| Index No.     |           |
| 253           |           |



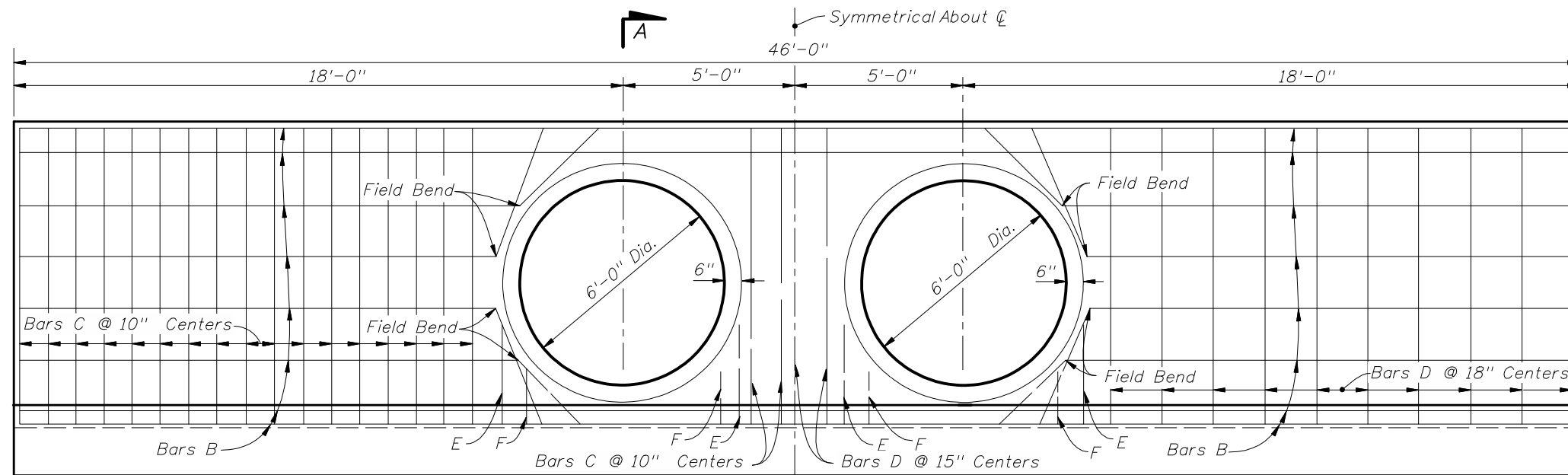
SECTION BB



SECTION AA



PLAN  
(Showing Bars In Footing)

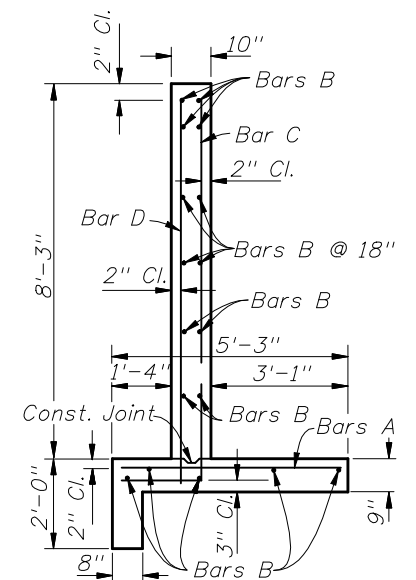


HALF ELEVATION  
(Showing Bars In Back Face Of Wall)



NOTE:  
Cut and Field Bend Bars B As Shown

HALF ELEVATION  
(Showing Bars In Front Face Of Wall)



TYPICAL SECTION  
THRU ENDWALL

| BILL OF REINFORCING STEEL |      |           |        |                |          | BENDING DIAGRAM |  | ESTIMATED QUANTITIES |         |      |      |
|---------------------------|------|-----------|--------|----------------|----------|-----------------|--|----------------------|---------|------|------|
| MARK                      | SIZE | NO. REQD. | LENGTH | LOCATION       | BENDING  |                 |  | ITEM                 | UNIT    | RCP  | CMP  |
| A                         | 5    | 85        | 4'-11" | Footing        | Straight |                 |  | Concrete Class II    | Cu. Yd. | 17.5 | 17.8 |
| B                         | 4    | 17        | 45'-8" | Footing & Wall | Straight |                 |  | Reinforcing Steel    | Lb.     | 1519 | 1519 |
| C                         | 5    | 38        | 10'-5" | Wall           | Bend     |                 |  |                      |         |      |      |
| D                         | 4    | 23        | 8'-7"  | Wall           | Straight |                 |  |                      |         |      |      |
| E                         | 4    | 8         | 2'-6"  | Wall           | Straight |                 |  |                      |         |      |      |
| F                         | 4    | 8         | 1'-6"  | Wall           | Straight |                 |  |                      |         |      |      |

NOTE: All bar dimensions are out to out

NOTE: See Sheet 1 of 2 for General Notes.



2010 FDOT Design Standards

**STRAIGHT CONCRETE ENDWALLS  
SINGLE AND DOUBLE 72" PIPE**

Last Revision 07/01/07 Sheet No. 2 of 2

Index No. 253