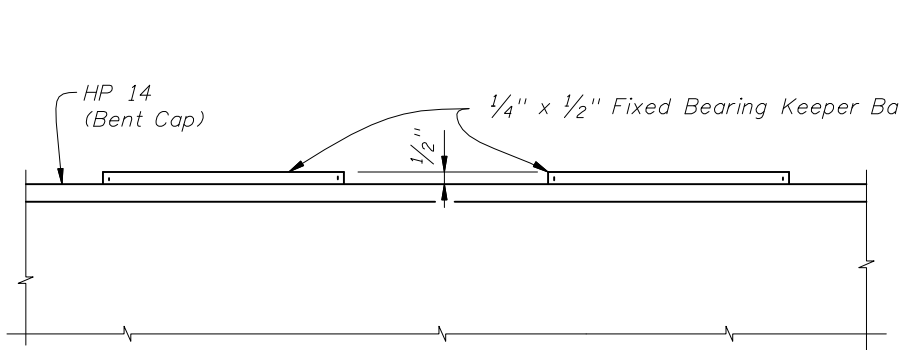
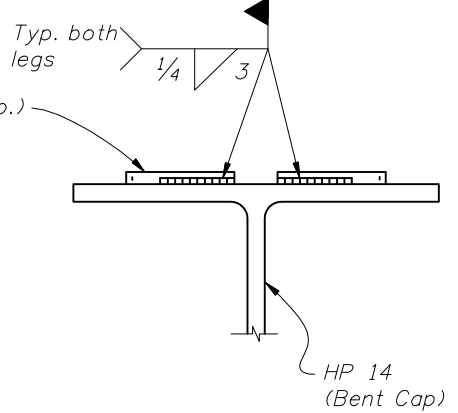


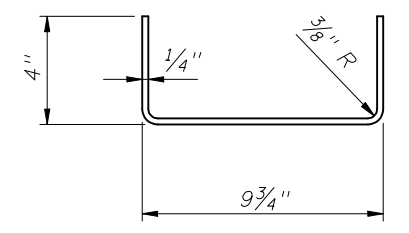
PARTIAL PLAN VIEW



PARTIAL ELEVATION VIEW

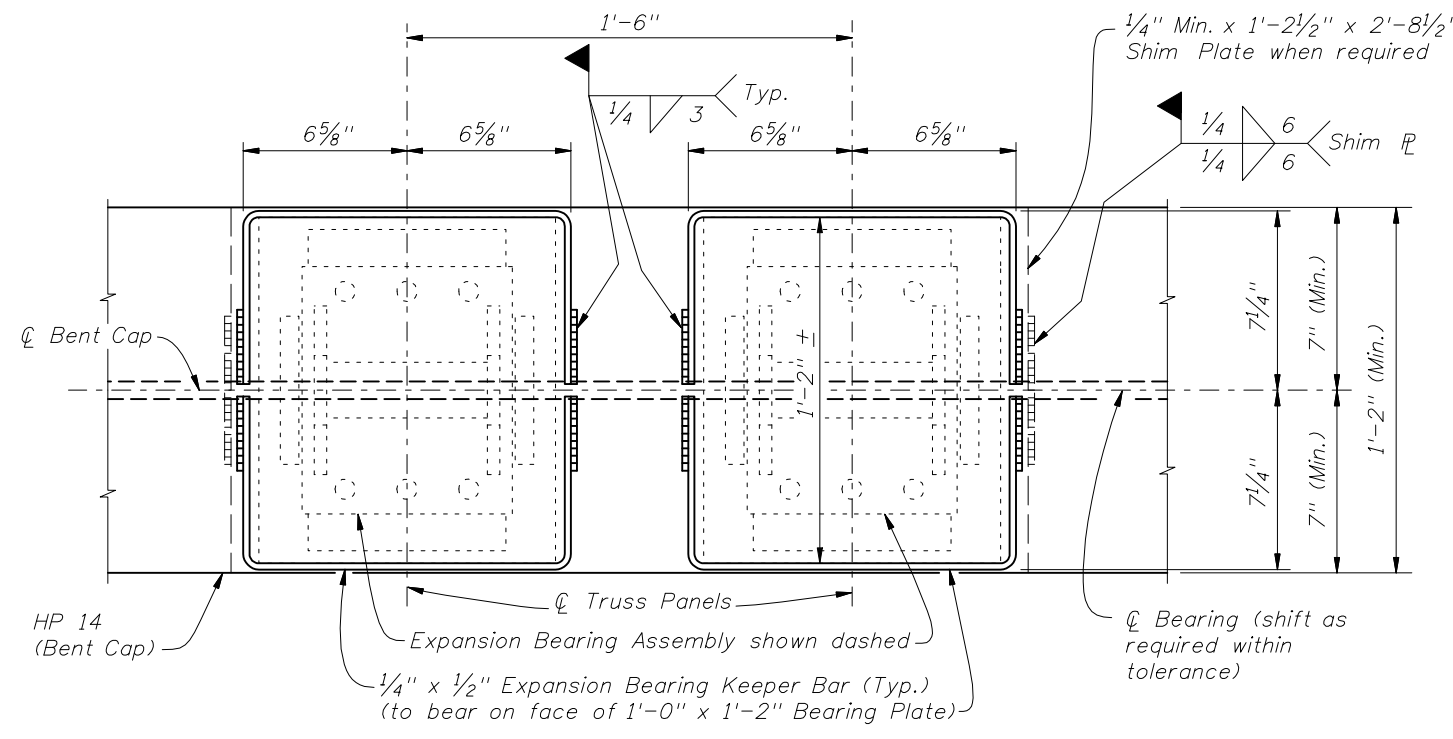


END VIEW

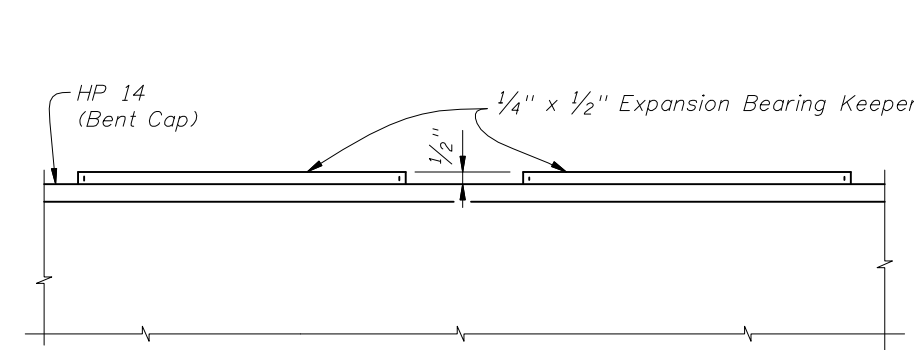


FIXED BEARING KEEPER BAR DETAIL

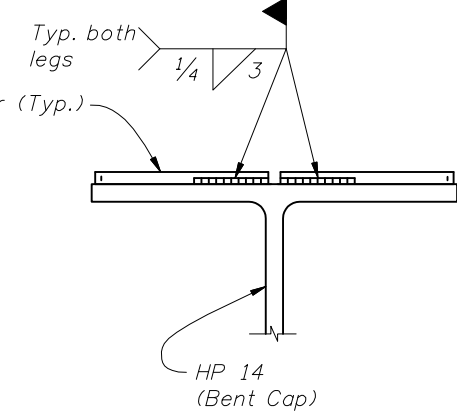
===== FIXED BEARING DETAILS =====



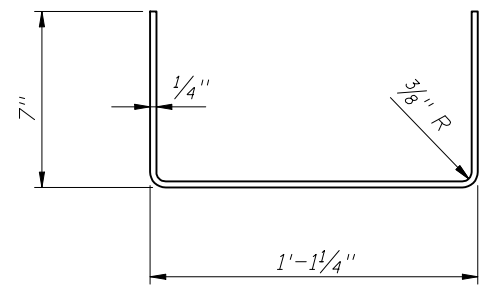
PARTIAL PLAN VIEW



PARTIAL ELEVATION VIEW



END VIEW



EXPANSION BEARING KEEPER BAR DETAIL

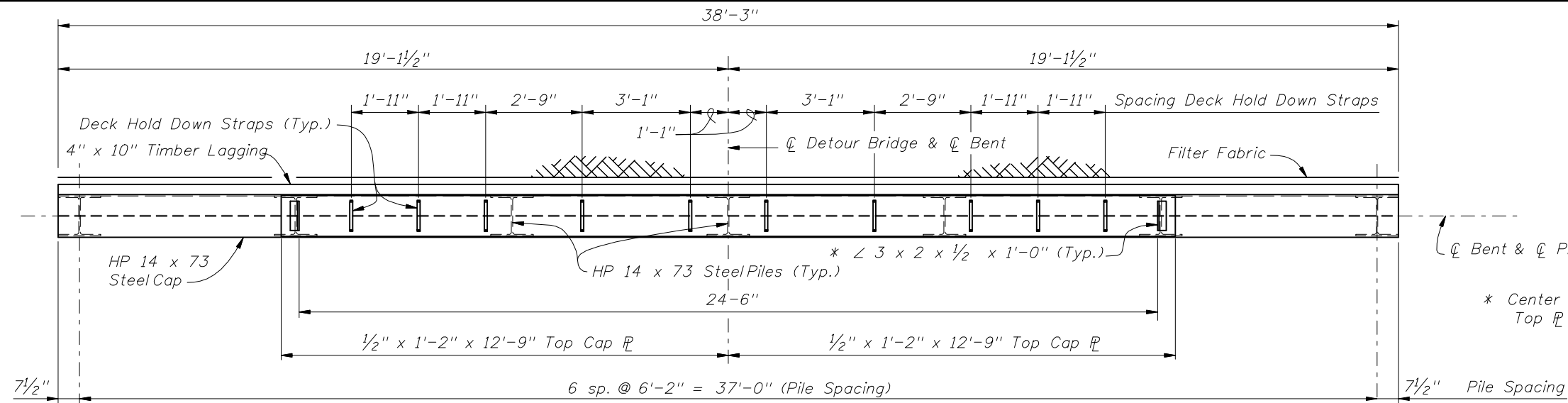
===== EXPANSION BEARING DETAILS =====



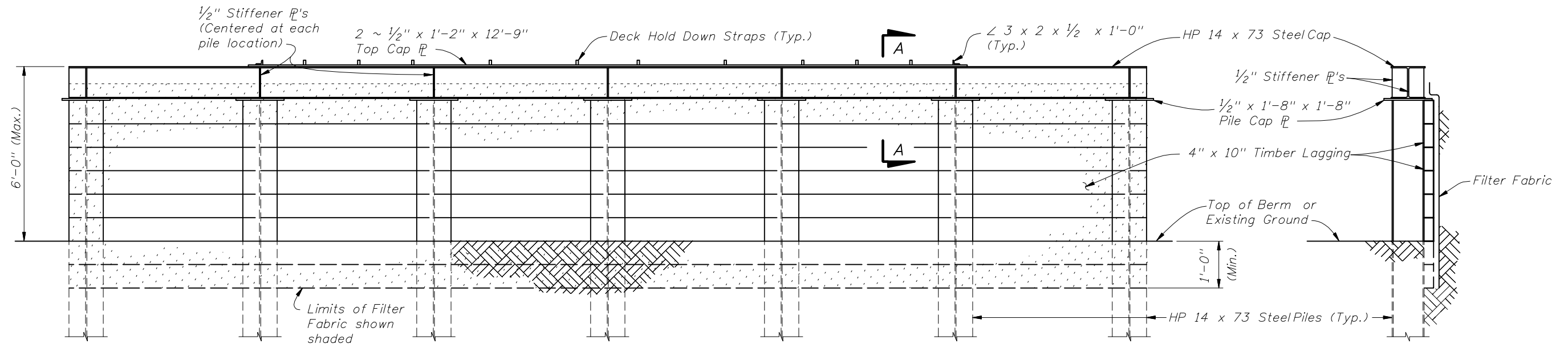
2010 FDOT Design Standards

TEMPORARY DETOUR BRIDGE DETAILS
STEEL H PILE FOUNDATIONS

Last Revision	Sheet No.
07/01/06	1 of 2
Index No.	
21620	

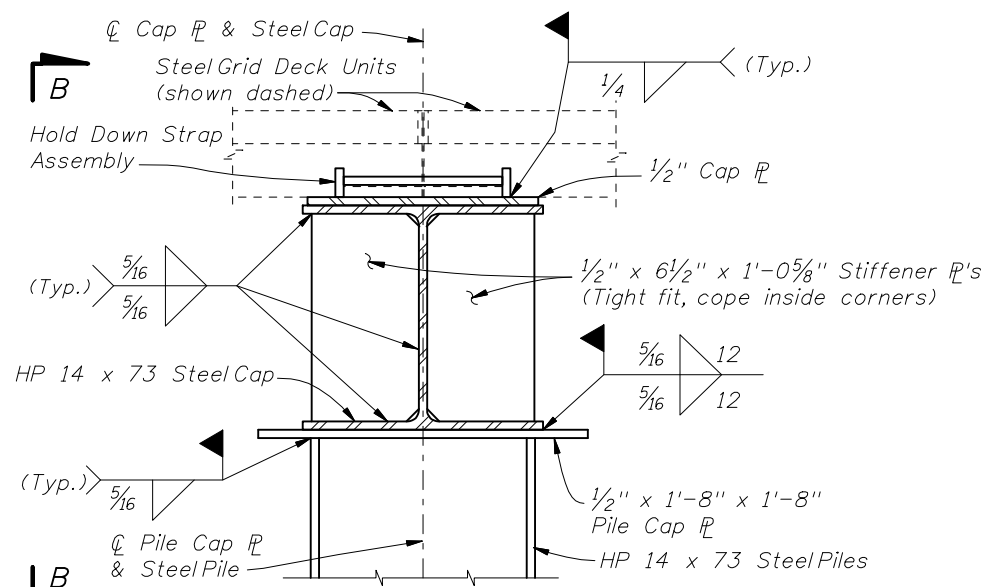


PLAN VIEW

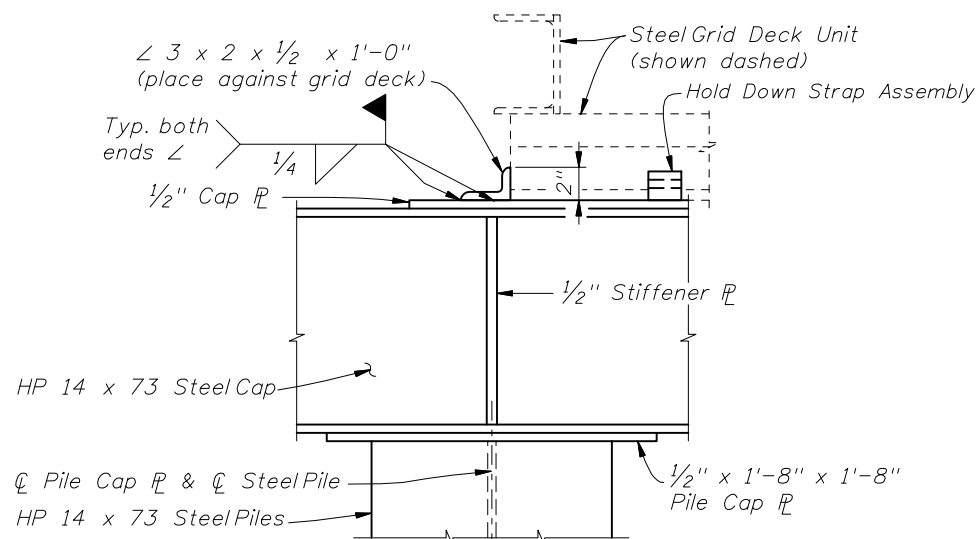


ELEVATION VIEW

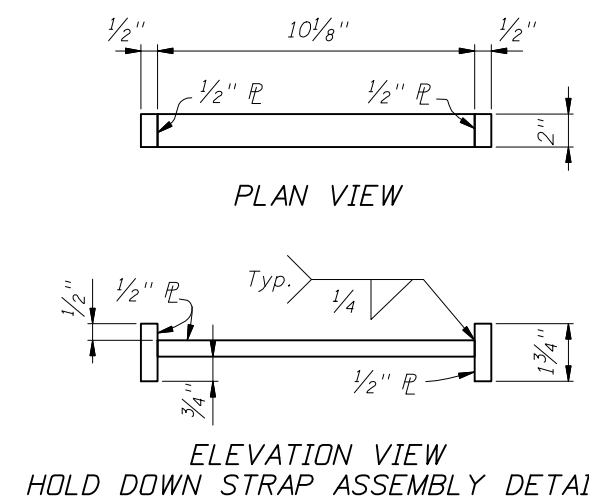
END VIEW



SECTION A-A
(LAGGING NOT SHOWN FOR CLARITY)



VIEW B-B



BACKWALL BENT DETAILS



2010 FDOT Design Standards

TEMPORARY DETOUR BRIDGE DETAILS
STEEL H PILE FOUNDATIONS

Last Revision
07/01/06

Sheet No.
2 of 2

Index No.
21620