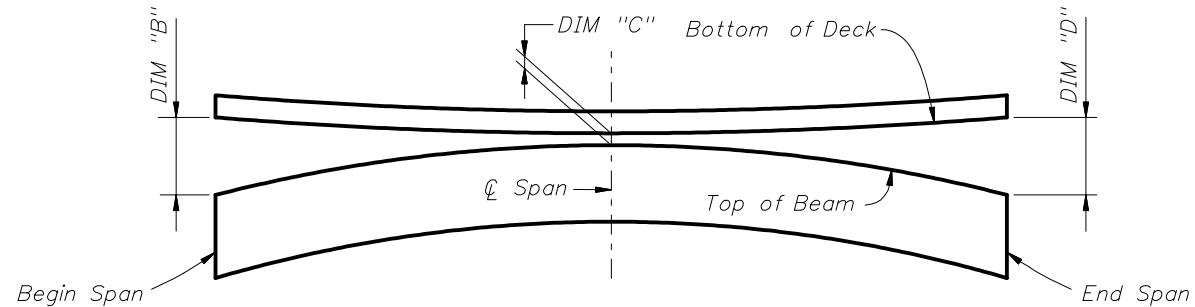
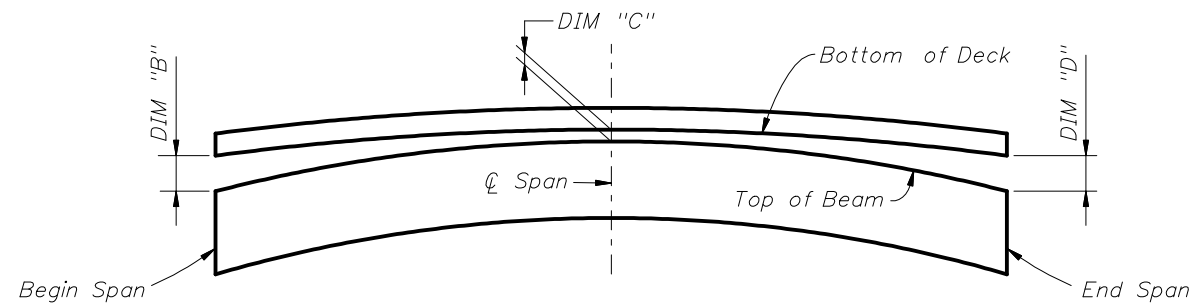


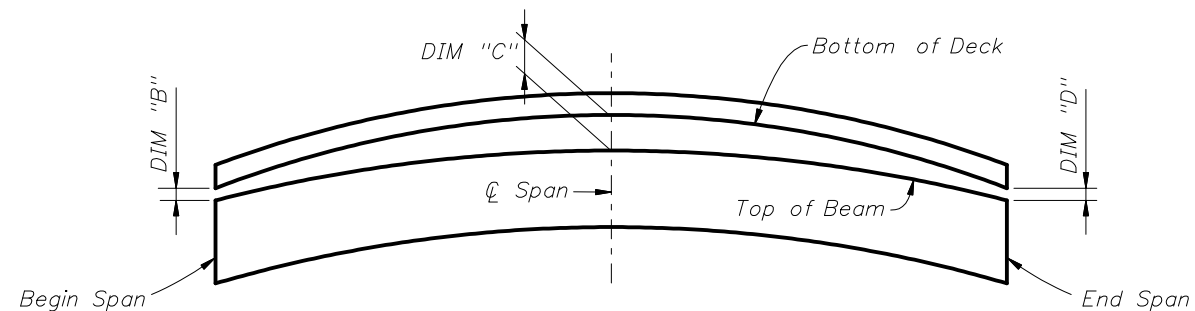
BUILD-UP DIAGRAM FOR TANGENT SPANS
(ALONG CL FLANGE) (CASE 1)



BUILD-UP DIAGRAM FOR SAG VERTICAL CURVE SPANS
(ALONG CL FLANGE) (CASE 2)



BUILD-UP DIAGRAM FOR CREST VERTICAL CURVE SPANS
- CONTROL AT CL SPAN
(ALONG CL FLANGE) (CASE 3)



BUILD-UP DIAGRAM FOR CREST VERTICAL CURVE SPANS
- CONTROL AT BEGIN OR END SPAN
(ALONG CL FLANGE) (CASE 4)

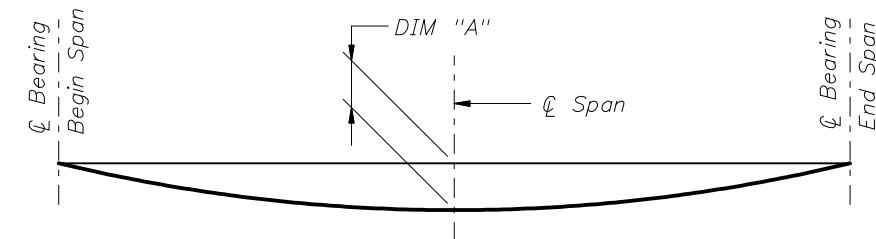
BEAM CAMBER AND BUILD-UP NOTES:

The build-up values given in the table are based on theoretical beam cambers. The Contractor shall monitor beam cambers for the purpose of predicting camber values at the time of the deck pour. If the predicted cambers based on field measurements differ more than $\pm 1/2$ " from the theoretical "Net Beam Camber @ 120 Days" shown in the Data Table, obtain approval from the Engineer to modify the build-up dimensions as required. When the measured beam cambers create a conflict with the bottom mat of deck steel, notify the Engineer a minimum of 21 days prior to casting.

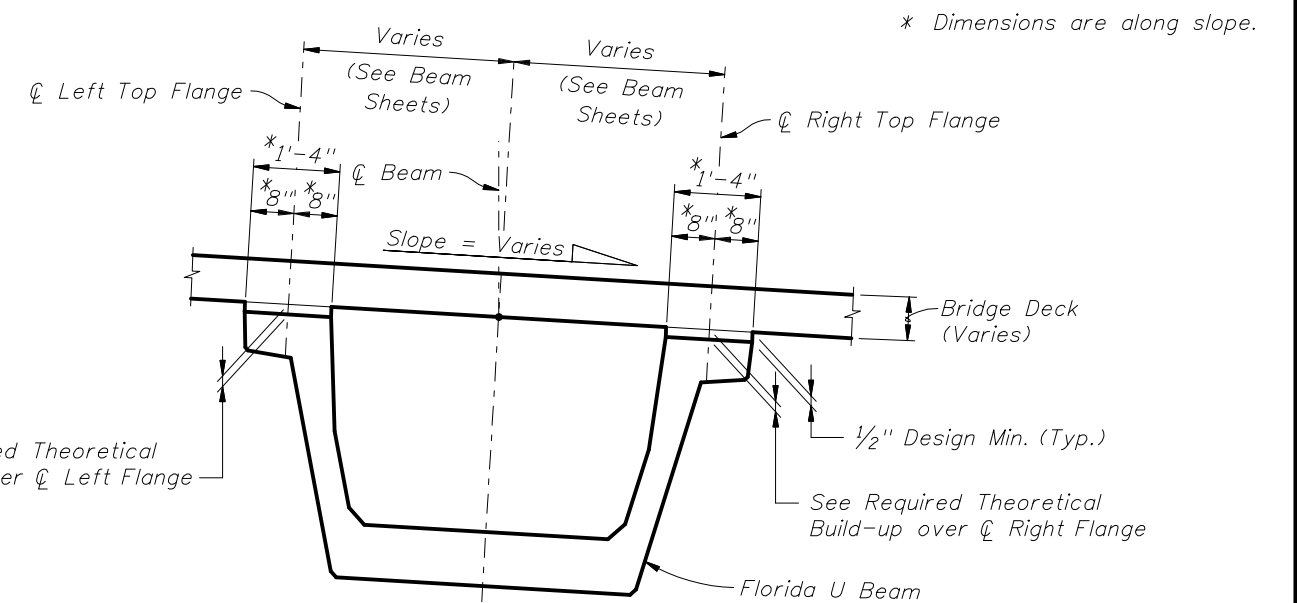
DIM "A" includes the weight of the Stay-In-Place Formwork.

INSTRUCTIONS TO DESIGNER:

Although not shown here in the Diagrams or Notes, the effect of Horizontal Curvature, when present, needs to be considered for the Build-up Calculations.



DEAD LOAD DEFLECTION DIAGRAM
(ALONG CL BEAM)



See Required Theoretical Build-up over CL Left Flange

See Required Theoretical Build-up over CL Right Flange

BUILD-UP OVER BEAMS
(LOOKING AHEAD STATION)

NOTE:
Work this Index with the Build-up and Deflection Data Table for Florida U Beams in Structures Plans.



2010 FDOT Design Standards

BUILD-UP & DEFLECTION DATA FOR
FLORIDA U BEAMS

Last Revision	Sheet No.
07/01/08	1 of 1
Index No.	
20299	