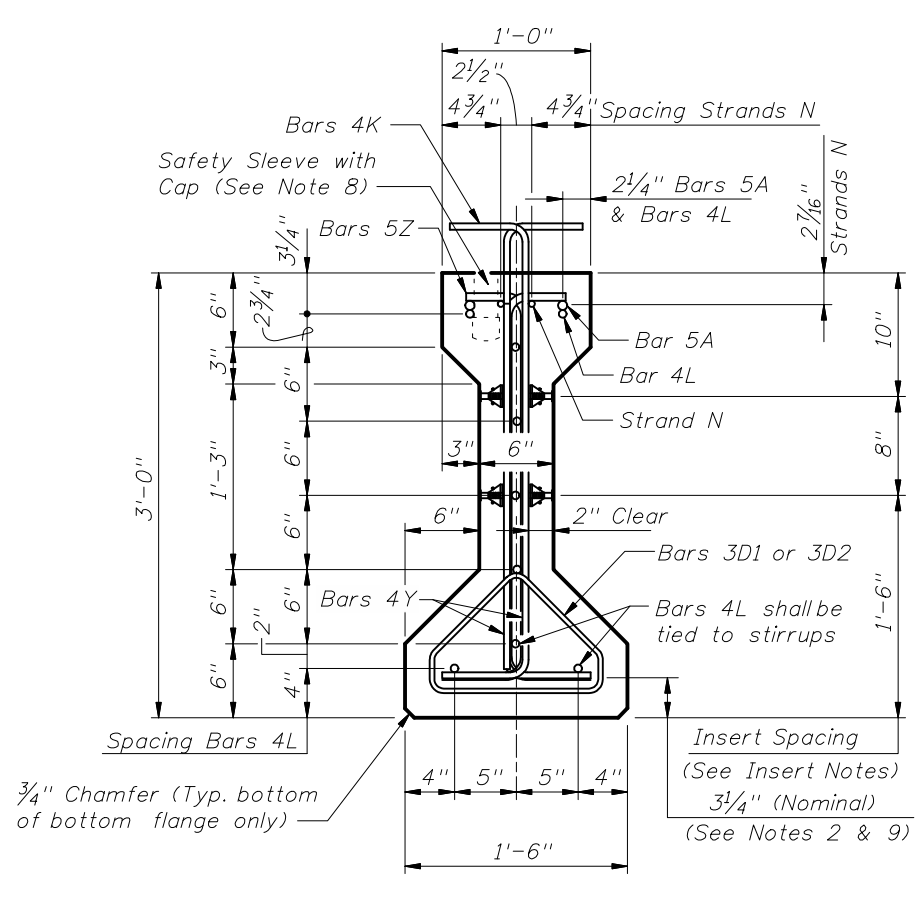
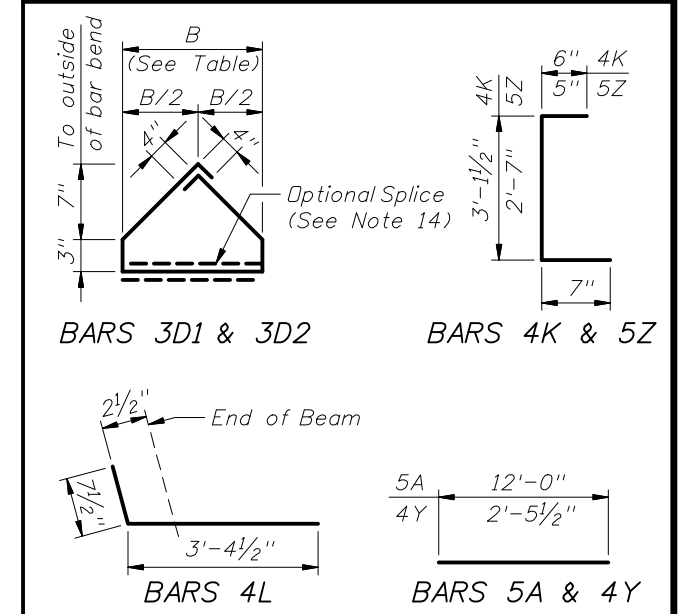


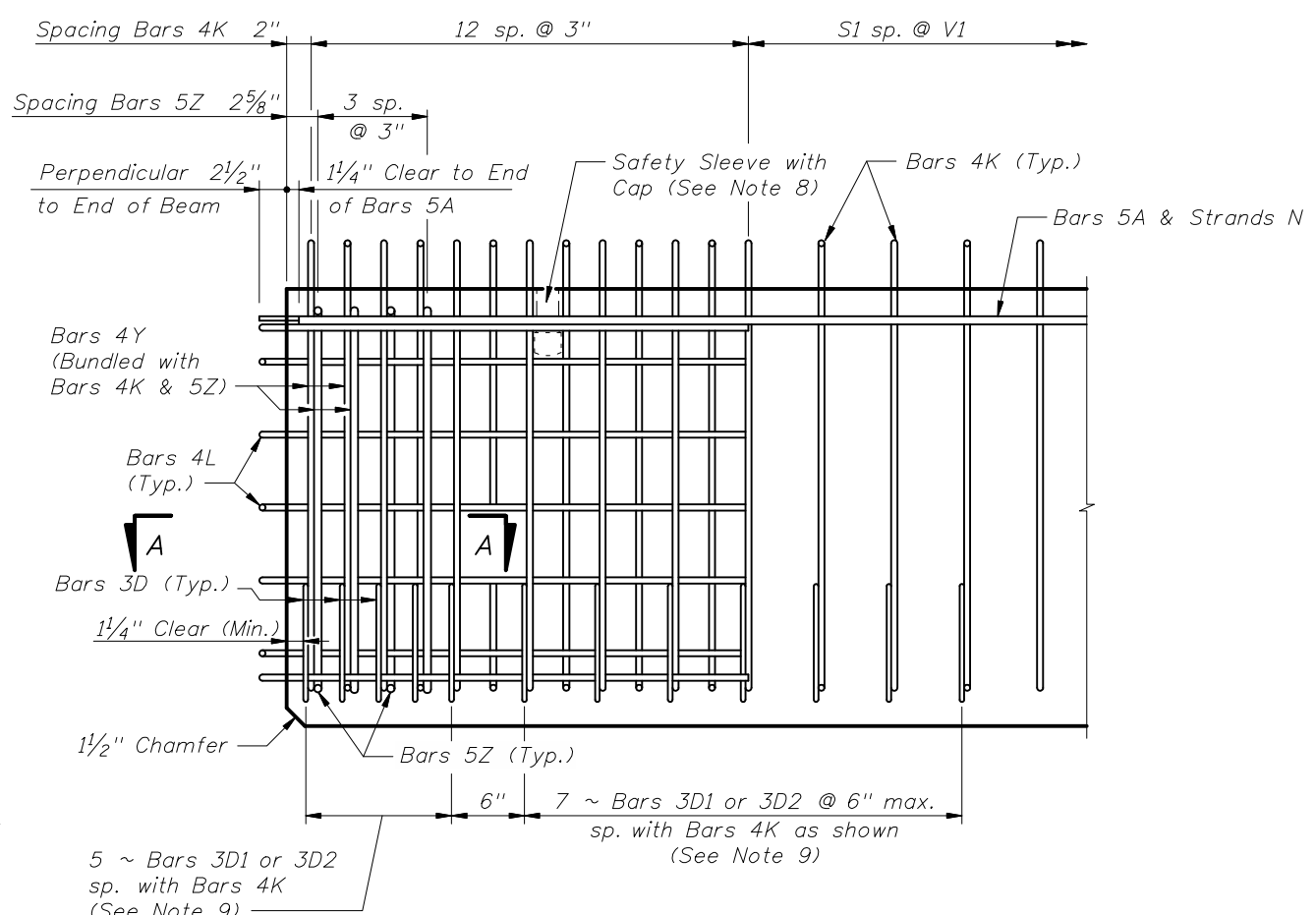
BILL OF REINFORCING STEEL FOR ONE BEAM ONLY

MARK	NOTE NUMBERS	SIZE	NUMBER REQUIRED	LENGTH (NOTE 1)
A	—	5	4	12'-0"
D1	9, 11 & 14	3	12	See Table
D2	9, 11 & 14	3	12	See Table
K	2, 9, 11 & 13	4	See Table	4'-3"
L	3 & 4	4	18	4'-0"
N	5	3/8" Ø Strand	2	DIM L+5"
Y	9 & 11	4	8	2'-6"
Z	2, 9, 11 & 13	5	8	3'-7"

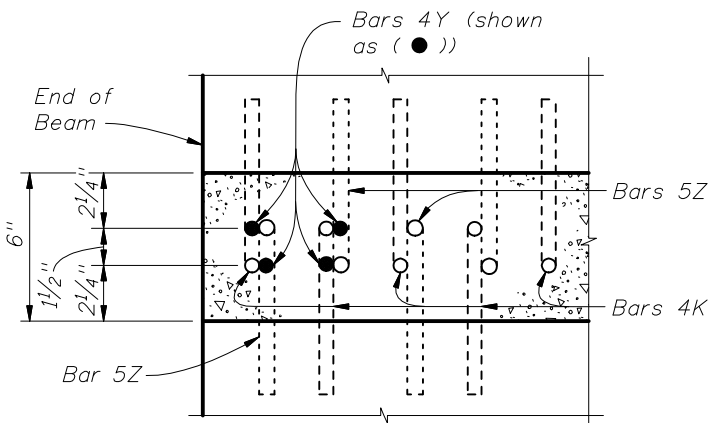
BENDING DIAGRAMS (See Note 1)



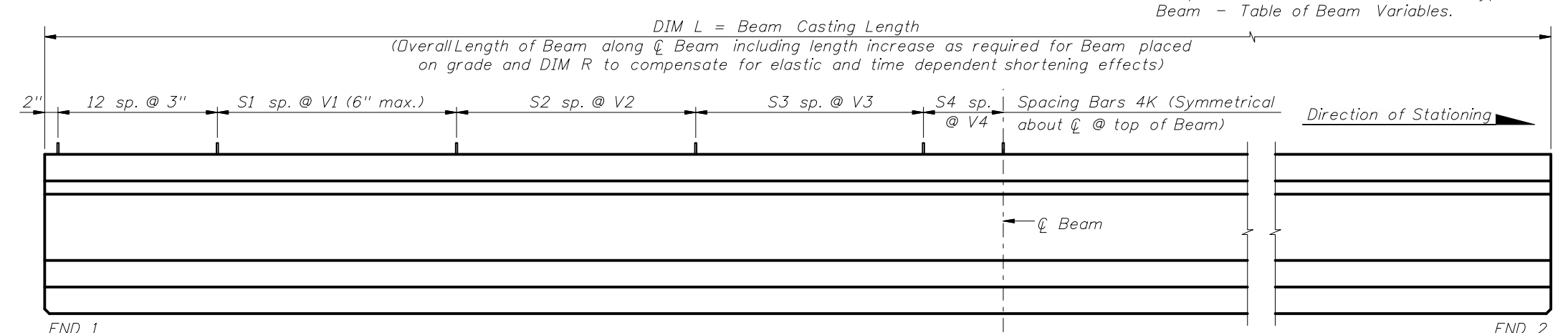
END VIEW



ELEVATION AT END OF BEAM (Flanges Not Shown For Clarity)



SECTION A-A (Showing Bars 4K, 4Y & 5Z Only)



ELEVATION

NOTES:
 Work this Index with Index No. 20110 - Typical AASHTO and Bulb-T Beam Details and Notes and the AASHTO Type II Beam - Table of Beam Variables in Structures Plans.
 For referenced notes, see Index No. 20110.
 For Dimensions L, R, V1 thru V4 and number of spaces S1 thru S4, see AASHTO Type II Beam - Table of Beam Variables.

