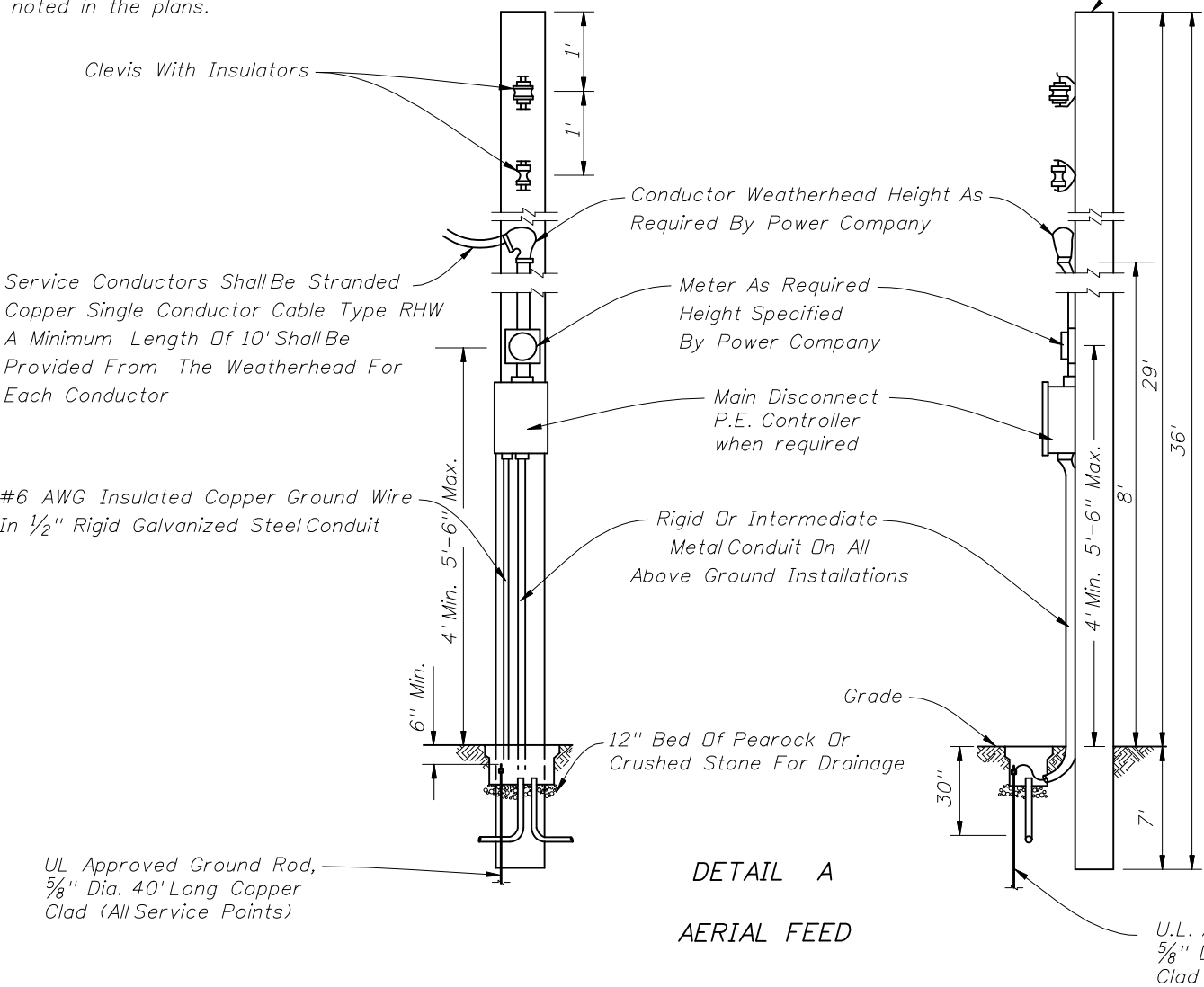


NOTE :

It shall be the contractor's responsibility to provide a complete service assembly as per the plans and service specifications. The service installation shall meet the requirements of the national electric code and applicable local codes. Shop drawings are not required for service equipment, unless noted in the plans.



Service Conductors Shall Be Stranded Copper Single Conductor Cable Type RHW A Minimum Length Of 10' Shall Be Provided From The Weatherhead For Each Conductor

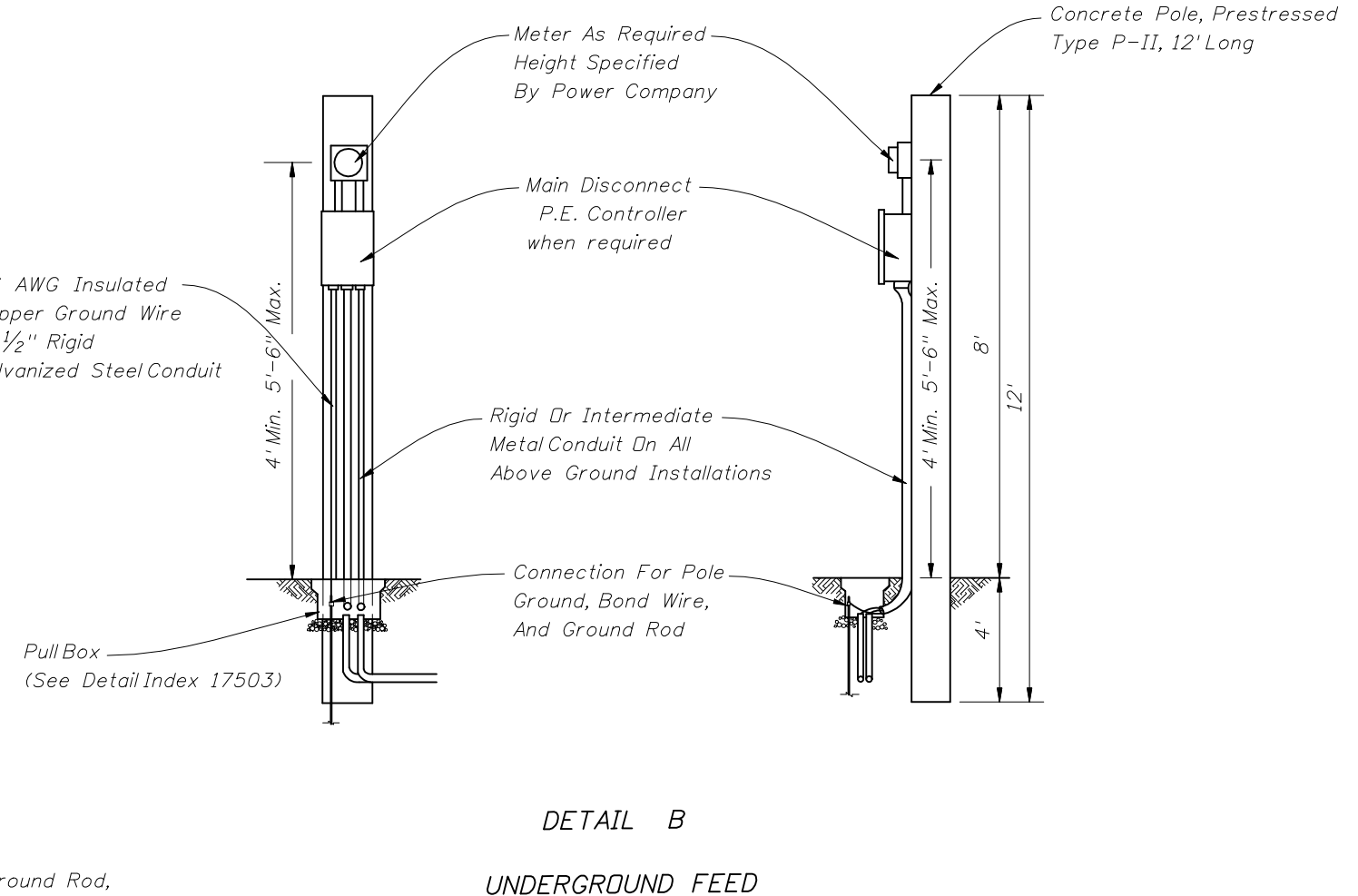
#6 AWG Insulated Copper Ground Wire In 1/2" Rigid Galvanized Steel Conduit

UL Approved Ground Rod, 5/8" Dia. 40' Long Copper Clad (All Service Points)

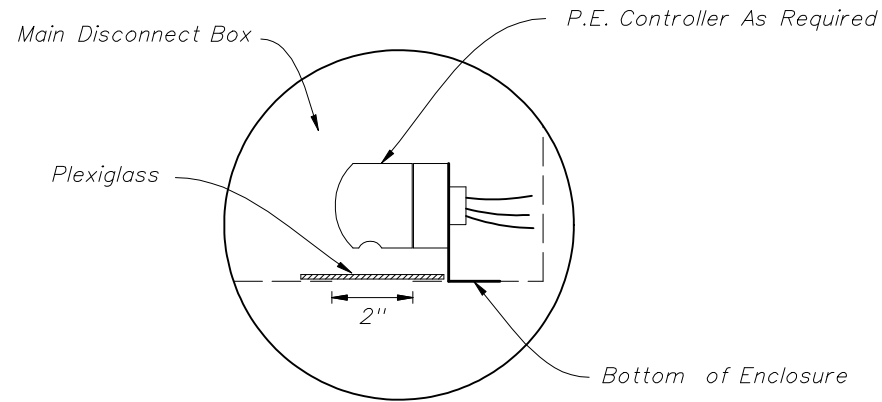
DETAIL A
AERIAL FEED

U.L. Approved Ground Rod, 5/8" Dia. 40' Long Copper Clad (All Service Points)

Concrete Pole Prestressed Type P-II, 36' Long



DETAIL B
UNDERGROUND FEED



Cut a 2" hole in the bottom of the Main Disconnect Box for the operation and mounting of the P.E. controller. Use plexiglass and a clear silicone sealant to cover hole, install P.E. Controller.

PHOTO ELECTRIC CONTROLLER DETAIL

SERVICE SPECIFICATIONS

1. The main disconnect shall be NEMA 3R, pole mounted.
2. The enclosure door shall be lockable by padlock and four keys provided to the maintaining agency. The door shall have a minimum of three hinges and be latchable. No screws to be used to attach door.
3. 480 Volt minimum rating bolt-in type breakers shall be used.
4. Busbar to be copper coated and have a minimum rating of 100 amps. When main breaker exceeds 100 amps busbar to match breaker amperage.
5. Locate Contactor, Transformer, P.E. Controller, and H.D.A. Switch inside enclosure. The enclosure to be sized to accommodate as many breakers as called for and all other service equipment.
6. The enclosure to be rigidly attached to the pole face.
7. A 600 Volt lightning protector shall be wired inside the enclosure.
8. A main breaker is required in all service panels with 2 or more feeder breakers.
9. All service equipment shall be U. L. approved.

NOTES:

1. Photo Electric Control as required.
2. All neutral wires to have White insulation, do not use White or Green insulated wires for ungrounded conductors.
3. A Pull Box is required at each service point.

