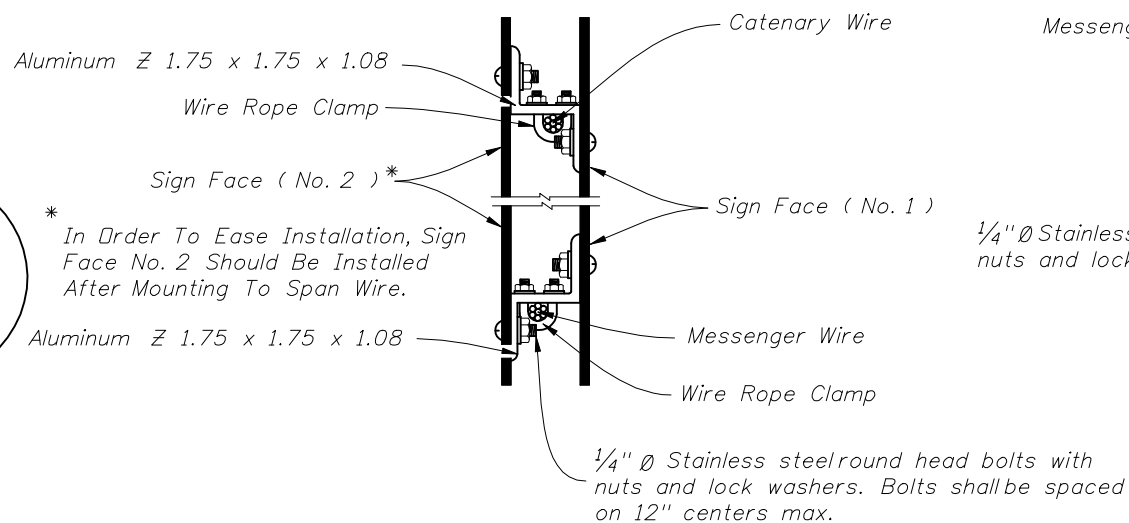
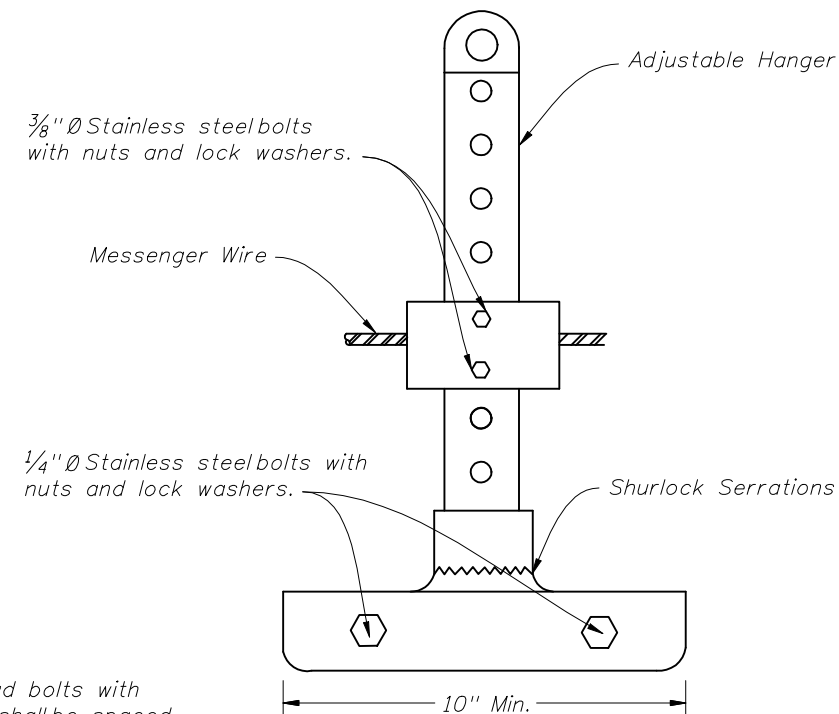
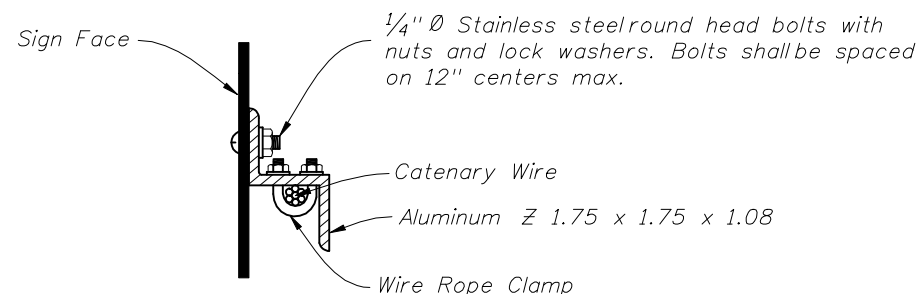


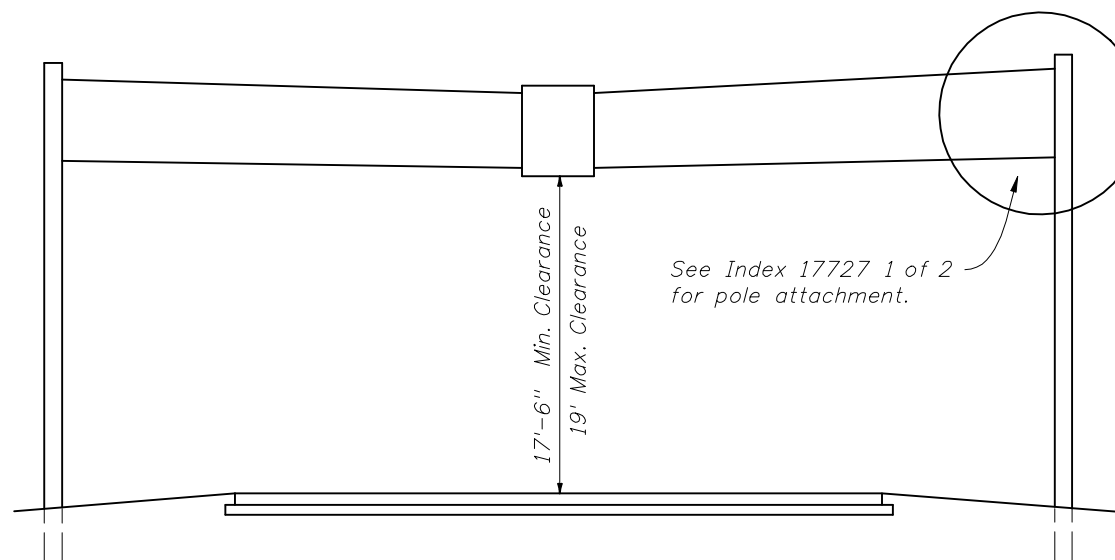
Notes :

1. Bottom edge of signs shall be approximately at the same elevation.
2. Type B & C attachments with one hanger shall have wind beams for signs wider than 3 1/2'. The beams shall extend to within 6" of the sign edge.
3. Type B & C attachments for signs 4' and wider shall have 2 hangers. Signs 7' and wider shall have wind beams that extend to within 6" of the sign edge.
4. Type D attachments shall be for signs 3 1/2' wide or less.
5. Sign panels shall meet the requirements of Index 11200.
6. Refer to section 634 of the Standard Specifications For Road And Bridge Construction.
7. All bolts, nuts, and washers shall be passivated stainless steel, AISI 300 series, commercial grade, type 316.



* In Order To Ease Installation, Sign Face No. 2 Should Be Installed After Mounting To Span Wire.

The overlapped connection of adjustable hangers shall use a minimum of 2 bolts with a minimum spacing between bolts of 2".



TWO POINT ATTACHMENT



2010 FDOT Design Standards

SPAN WIRE MOUNTED SIGN DETAILS

Last Revision	Sheet No.
07/01/09	1 of 1
Index No.	
17356	