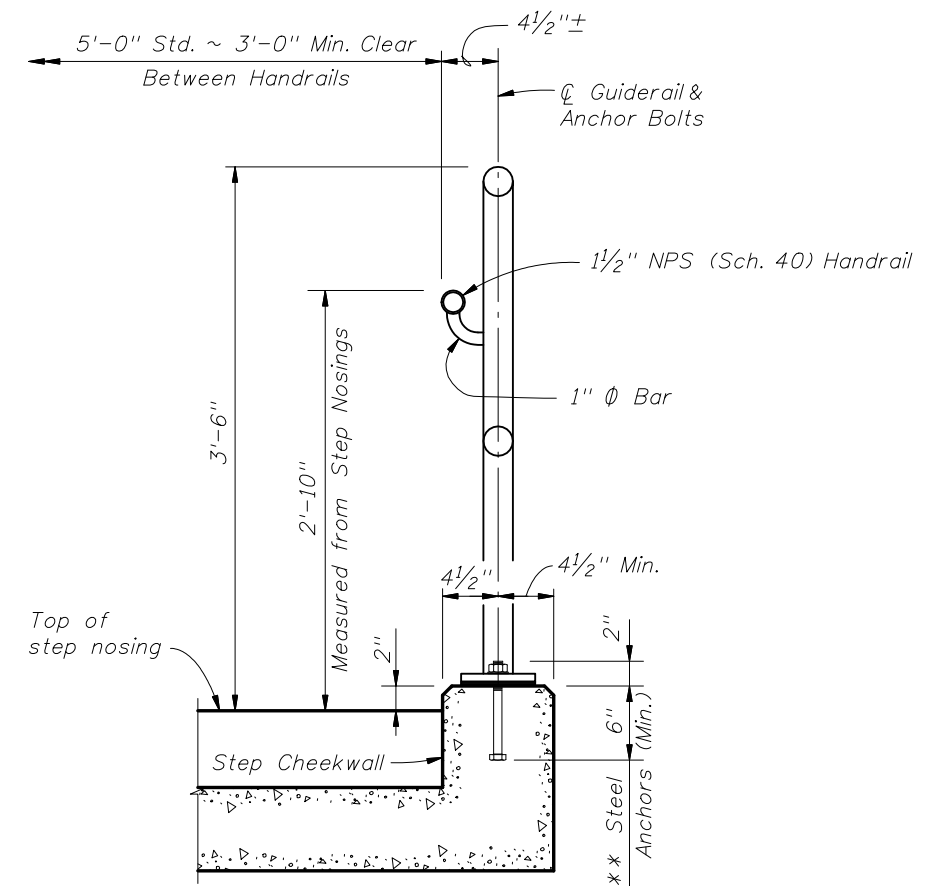
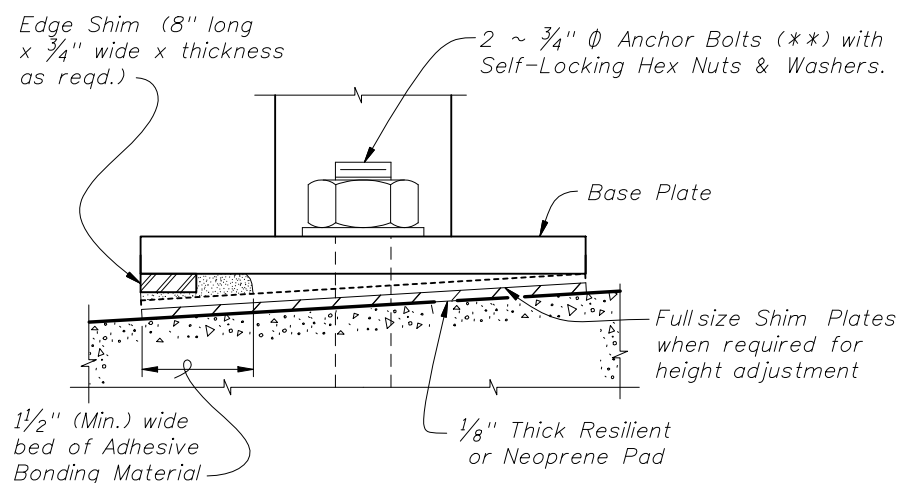


TYPICAL SECTION ON CONCRETE SIDEWALK

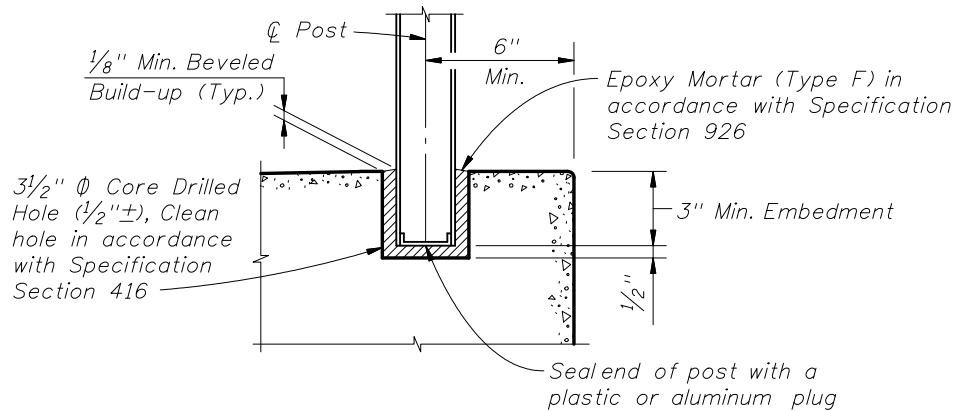
TYPICAL SECTION ON GRAVITY WALL  
(Other Retaining Walls Similar)



TYPICAL SECTION ON STEPS & STAIRS



DETAIL "F" (OPTIONAL SHIMMING DETAIL FOR CROSS SLOPE CORRECTION)  
(Used in lieu of Beveled Shim Plates)



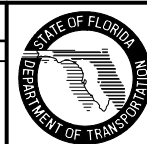
OPTIONAL SIDEWALK ANCHORAGE DETAIL

NOTES:

- \*\* 2 ~ 3/4"  $\Phi$  x 8" Steel Anchors: Galvanized Steel Bolts (As Shown) (C-I-P); Galvanized U-Bolts Permitted (C-I-P); Galvanized Adhesive Anchors Permitted (\*\*\*) ; Expansion Anchors Not Permitted.
- \*\*\* Adhesive anchors shall be fully threaded headless anchor bolts set in drilled holes (manufacturer recommended diameter) with an Adhesive Bonding Material System in accordance with Specification Section 937 and installed in accordance with Specification Section 416. The minimum embedment is 6".

REVISIONS

DATE	BY	DESCRIPTION	DATE	BY	DESCRIPTION
01/01/08	SJN	Deleted 4'-6" Bicycle Railing option. Corrected Guiderail height on step to top of nosing.			
07/01/08	SJN	Added DETAIL "F" (OPTIONAL SHIMMING DETAIL FOR CROSS SLOPE CORRECTION).			



2008 Interim Design Standard

ALUMINUM PIPE GUIDERAIL

Interim Date 07/01/08 Sheet No. 5 of 5

Index No. 870