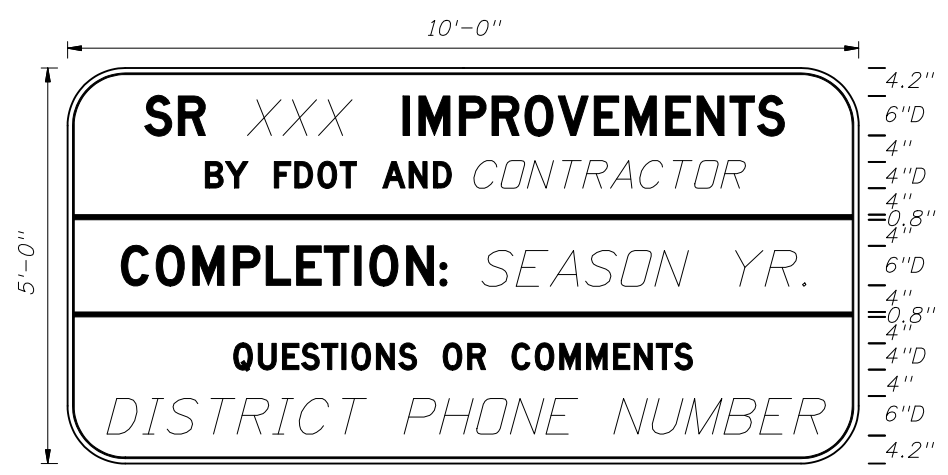
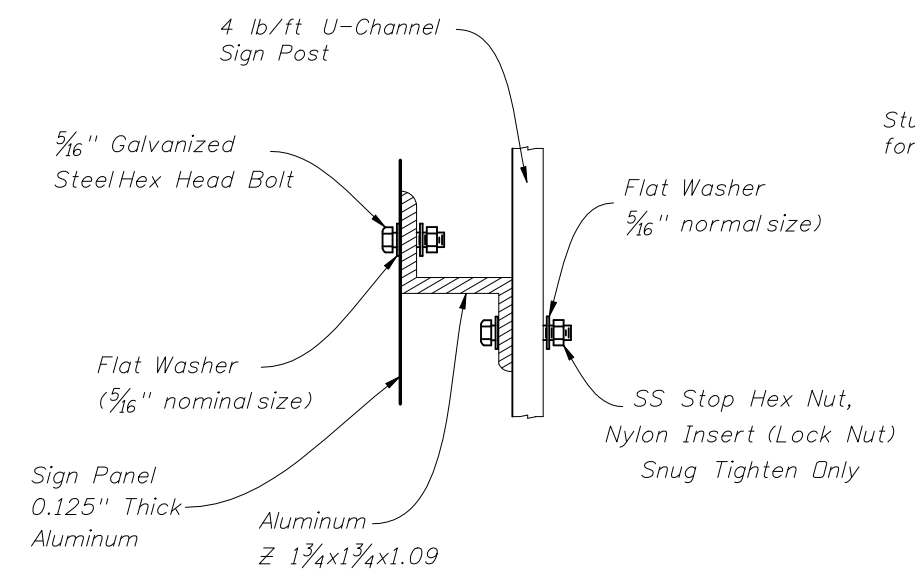


4 POST SIGN SUPPORT MOUNTING DETAIL

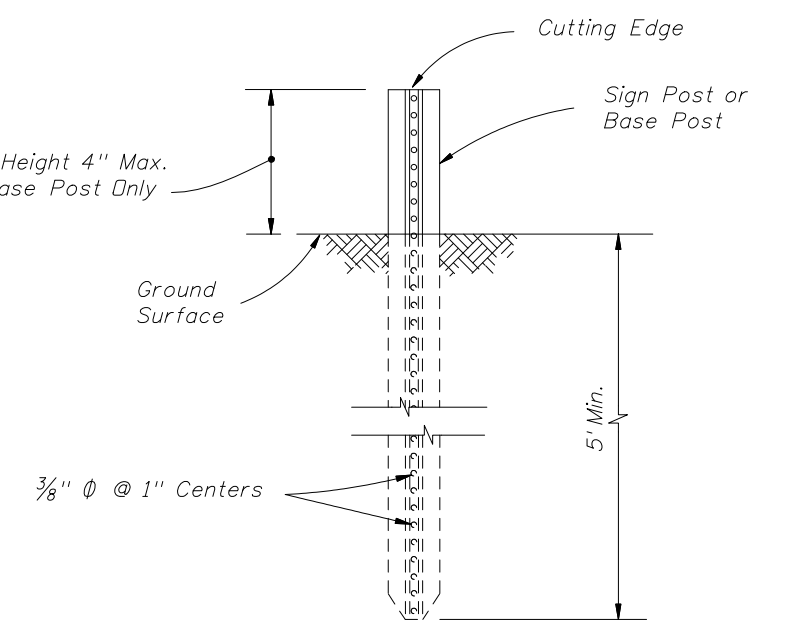


BORDER 10'-0"X 5'-0"
 R=8" 8" Radii
 TH=0.25" 4" and 6" series D Legend
 IN=0.75" Blue Background
 White Legend and Border

PROJECT INFORMATION SIGN DETAIL

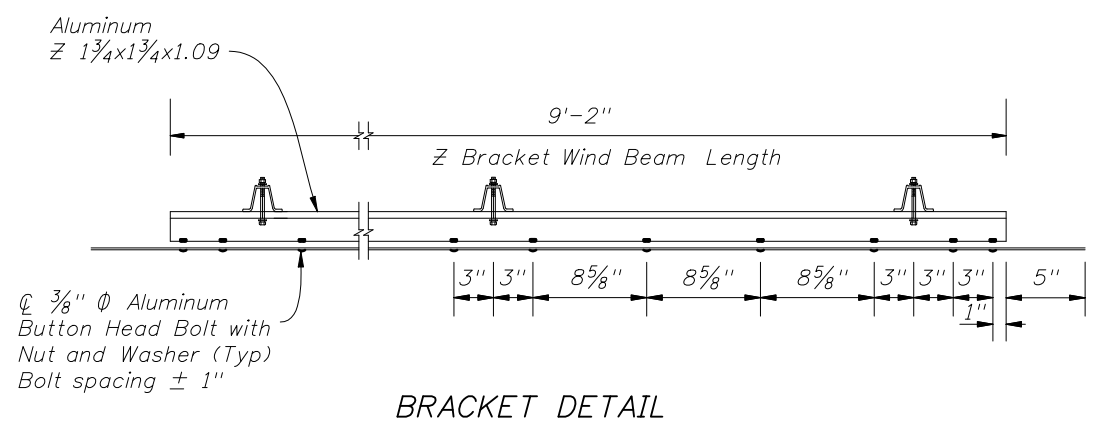


SIGN ATTACHMENT DETAIL



TYPICAL FOUNDATION DETAIL

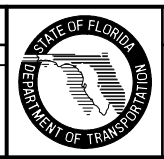
See QPL for post, splice and connection details.
 No bolts installed closer than 1" to cutting edge.



BRACKET DETAIL

PROJECT INFORMATION SIGN

REVISIONS					
DATE	BY	DESCRIPTION	DATE	BY	DESCRIPTION
11/07/07	L.W.	New sheet Index 600 13 of 13 PROJECT INFORMATION SIGN.			



2008 Interim Design Standard
GENERAL INFORMATION FOR TRAFFIC CONTROL THROUGH WORK ZONES

Interim Date 01/01/08
 Sheet No. 13 of 13
 Index No. 600