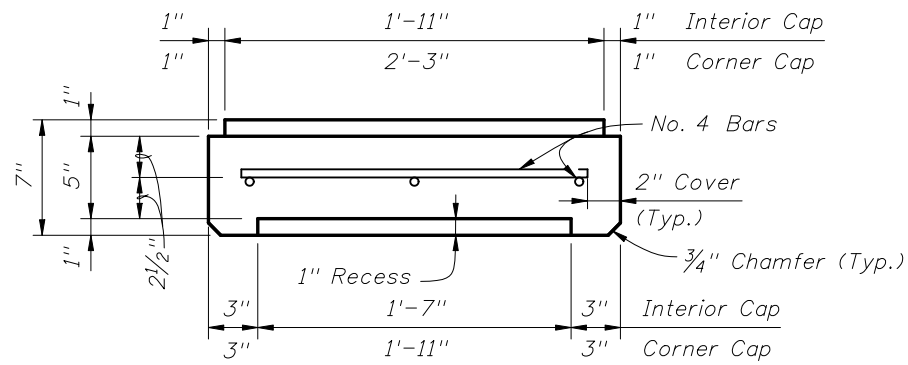


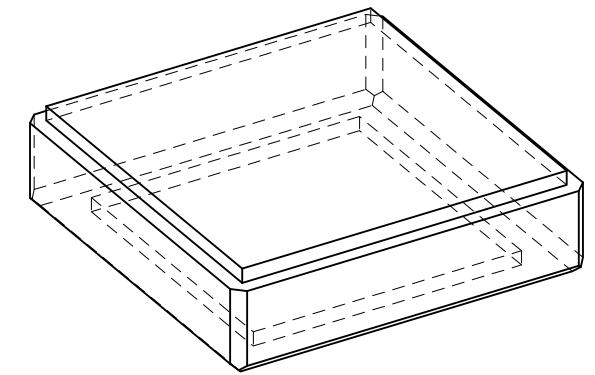
PLAN VIEW

(Type "A" Cap Shown, Type "B" & "C" Caps Similar)

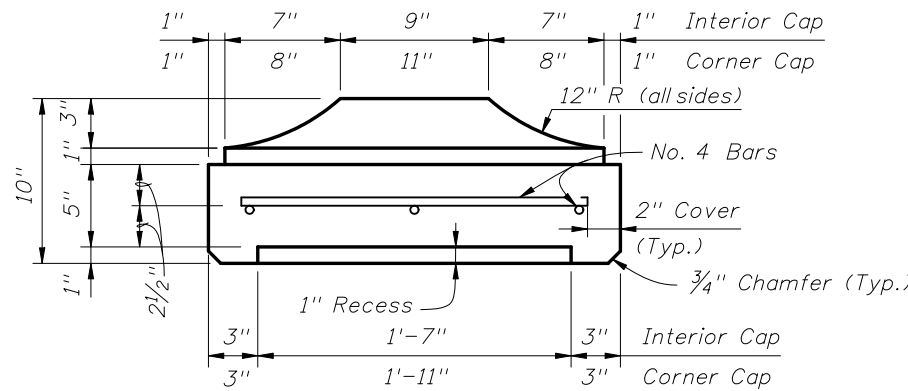


SECTION C-C

TYPE "A" CAP DETAILS

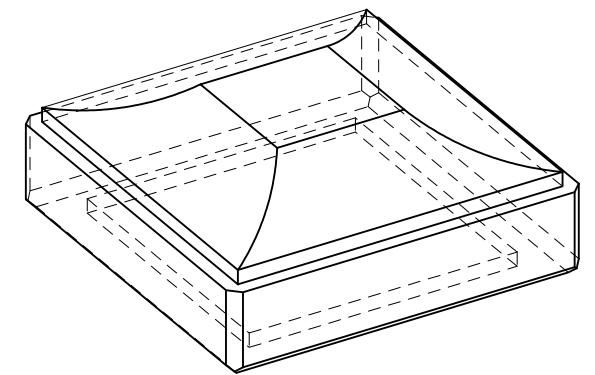


PICTORIAL VIEW

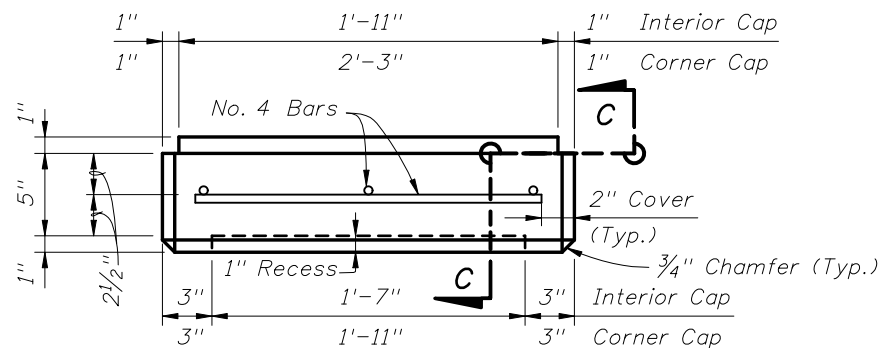


SECTION C-C

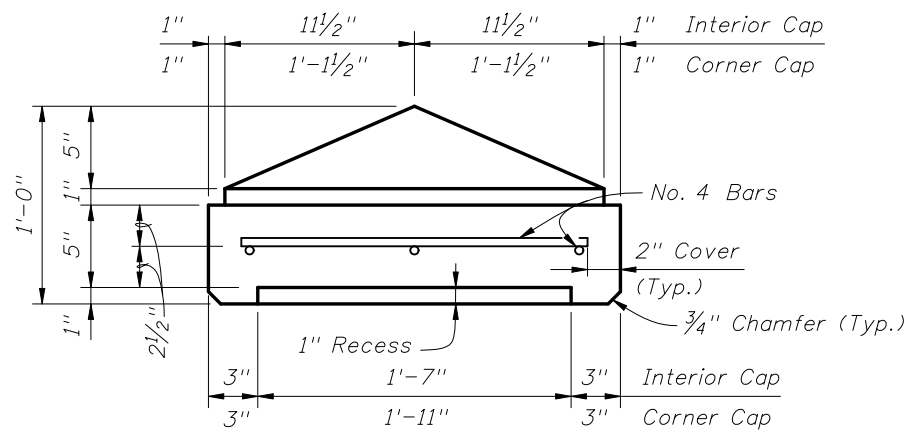
TYPE "B" CAP DETAILS



PICTORIAL VIEW

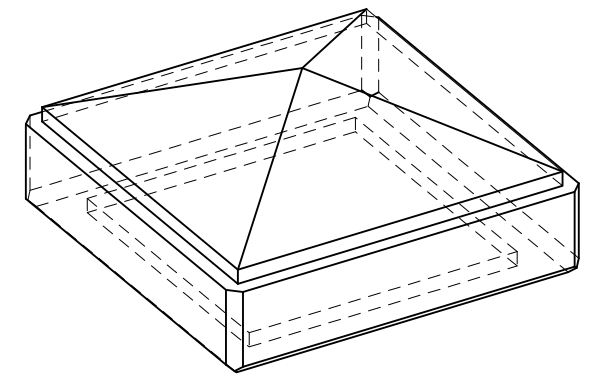


VIEW A-A SHOWN, VIEW B-B SIMILAR
(Type "A" Cap Shown, Type "B" & "C" Caps Similar)

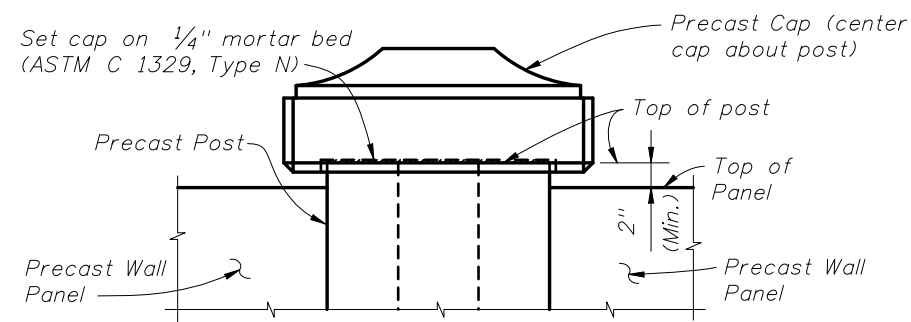


SECTION C-C

TYPE "C" CAP DETAILS



PICTORIAL VIEW

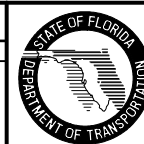


CAP PLACEMENT DETAIL
(Type "B" Cap Shown, Type "A" & "C" Caps Similar)

NOTE: See Index No. 5200 for concrete and reinforcing notes.

REVISIONS

DATE	BY	DESCRIPTION	DATE	BY	DESCRIPTION
07/01/08	SJN	New Design Standard			



2008 Interim Design Standard

PRECAST SOUND BARRIERS
- PRECAST POST CAPITAL

Interim Date	Sheet No.
07/01/08	1 of 1
Index No.	
5207	