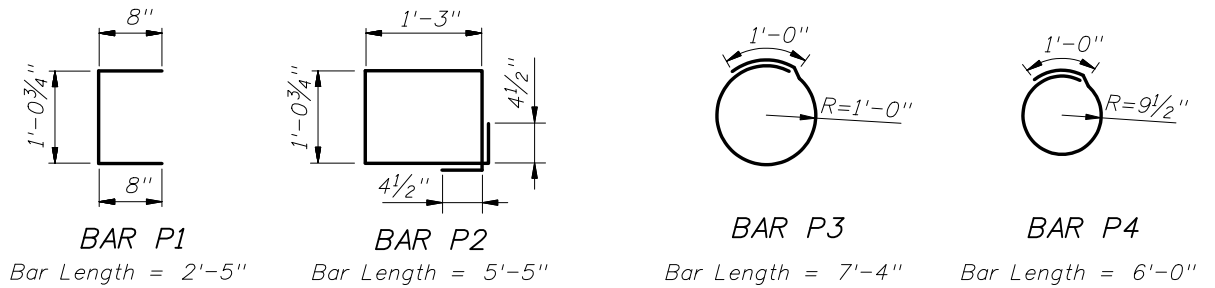


BAR BENDING DETAILS

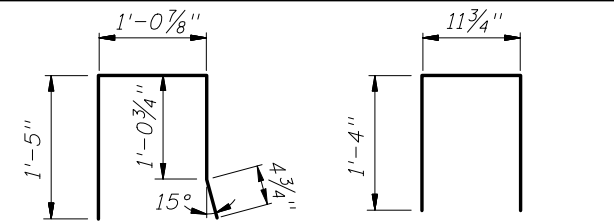
All bar dimensions in bending diagrams are out-to-out. All bars not shown in the bending diagrams are straight.

POST & PILE



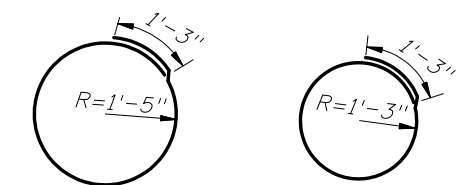
BAR P1 Bar Length = 2'-5"
BAR P2 Bar Length = 5'-5"
BAR P3 Bar Length = 7'-4"
BAR P4 Bar Length = 6'-0"

90° CORNER POST & PILE



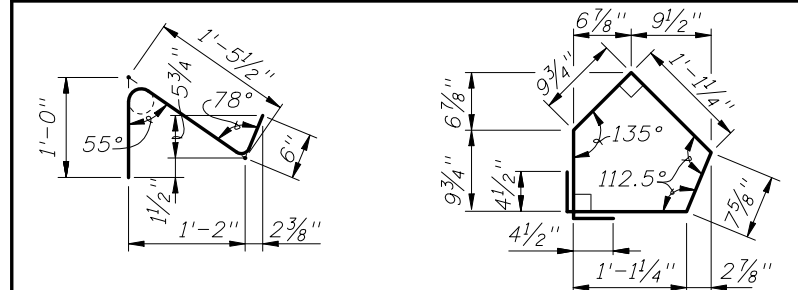
BAR P5 Bar Length = 3'-9 1/4"
BAR P6 Bar Length = 3'-5 1/2"

CAST-IN-PLACE COLLAR



BAR P9 Bar Length = 10'-2"
BAR P10 Bar Length = 9'-2"

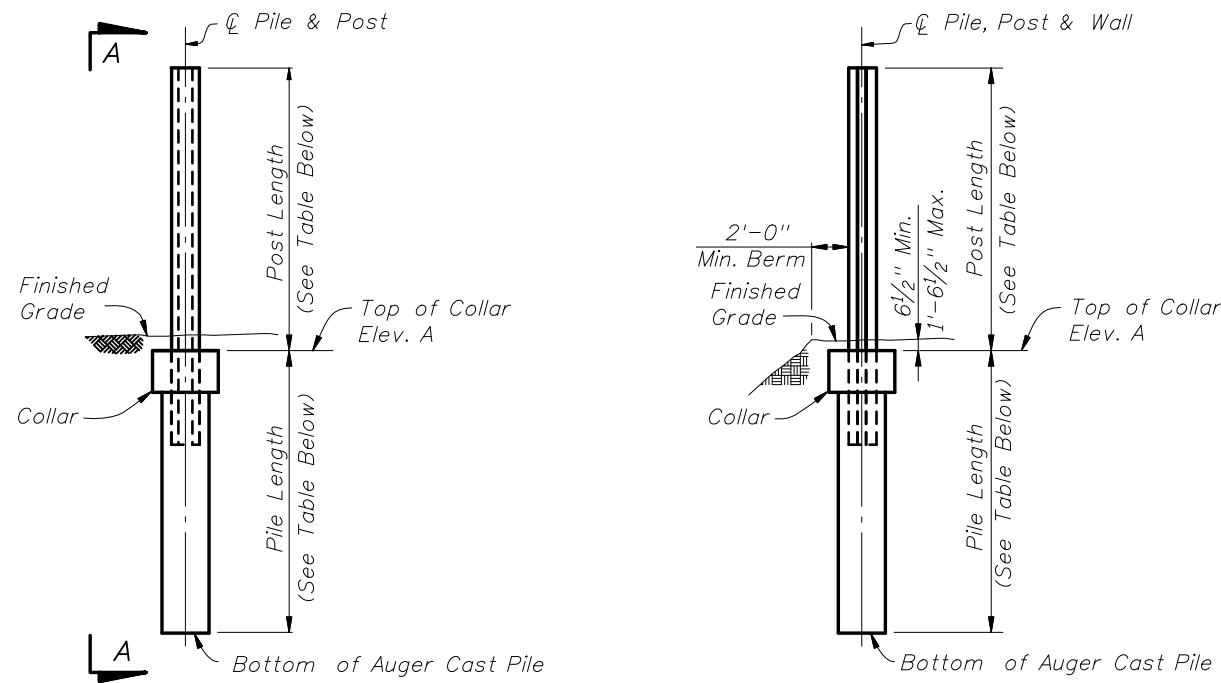
45° CORNER POST & PILE



BAR P7 (POST) Bar Length = 2'-8"
BAR P8 (PILE) Bar Length = 5'-0 1/4"

NOTES:
 Bars A, B & P1 are used in Options A, B & E.
 Bars C are only used in Option A.
 Bars C2 are only used in Option B.
 Bars P2 are used in Options A & E.
 Bars P3 are only used in Option A.
 Bars P4 are only used in Option B.
 Bars P5 & P6 are only used in 90° Corner Posts.
 Bars P7 & P8 are only used in 45° Corner Posts.
 Bars P9 & P10 are used in the Cast-In-Place Collar Options.

For Bar Designations, See Index No. 5205.



PILE/POST ELEVATION
 (Pile/Post Connection Option A Shown)

VIEW A-A
 (Pile/Post Connection Option A Shown)

POST AND PILE DIMENSIONS

WALL TYPE	POST LENGTH WITHOUT CAP	POST LENGTH WITH CAP	PILE LENGTH OPTION A		PILE LENGTH OPTIONS B, C, D & E	
			10'-0" POST SPACING	20'-0" POST SPACING	10'-0" POST SPACING	20'-0" POST SPACING
A	12'-0 1/2"	12'-2 1/2"	11'-0"	14'-0"	12'-0"	15'-0"
B	13'-0 1/2"	13'-2 1/2"	11'-0"	15'-0"	12'-0"	16'-0"
C	14'-0 1/2"	14'-2 1/2"	12'-0"	16'-0"	13'-0"	17'-0"
D	15'-0 1/2"	15'-2 1/2"	12'-0"	17'-0"	13'-0"	18'-0"
E	16'-0 1/2"	16'-2 1/2"	13'-0"	17'-0"	14'-0"	18'-0"
F	17'-0 1/2"	17'-2 1/2"	14'-0"	18'-0"	14'-0"	19'-0"
G	18'-0 1/2"	18'-2 1/2"	14'-0"	19'-0"	15'-0"	20'-0"
H	19'-0 1/2"	19'-2 1/2"	15'-0"	20'-0"	15'-0"	21'-0"
I	20'-0 1/2"	20'-2 1/2"	15'-0"	21'-0"	16'-0"	22'-0"
J	21'-0 1/2"	21'-2 1/2"	16'-0"	22'-0"	16'-0"	24'-0"
K	22'-0 1/2"	22'-2 1/2"	16'-0"	23'-0"	17'-0"	26'-0" *

* For SteelPost Option "D", use 30'-0".

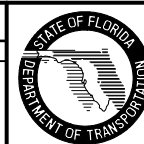
TABLE OF REINFORCING STEEL

PILE/POST REINFORCING																	CAST-IN-PLACE COLLAR			
10'-0" POST SPACING										20'-0" POST SPACING					BARS C	BARS C2	BARS P1, P2, P3, P4, P5, P6, P7 & P8	BARS P9	BARS P10	
BARS A	BARS B			BARS D	BARS A	BARS B			BARS D	SIZE	SIZE	DIM 'A'		SIZE						SIZE
SIZE	SIZE	SIZE	SIZE	SIZE	SIZE	SIZE	SIZE	SIZE	SIZE	SIZE	SIZE	SIZE	SIZE	SIZE	SIZE	SIZE	SIZE	SIZE	SIZE	SIZE
#4	#4	10'-0"	#4	#5	#5	9'-0"	#6	#9	#7	#4	#5	#5	8'-10"	#7	#9	#7	#4	#5	#5	
#4	#4	10'-7"	#5	#5	#5	8'-10"	#7	#9	#7	#4	#5	#5	10'-4"	#7	#9	#7	#4	#5	#5	
#4	#4	10'-5"	#5	#6	#6	10'-4"	#7	#9	#7	#4	#5	#5	10'-3"	#8	#9	#7	#4	#5	#5	
#5	#5	12'-11"	#6	#6	#6	10'-3"	#8	#9	#7	#4	#5	#5	11'-10"	#8	#9	#7	#4	#5	#5	
#5	#5	12'-9"	#6	#7	#7	11'-10"	#8	#9	#7	#4	#5	#5	12'-7"	#6	#7	#7	#4	#5	#5	
#5	#5	12'-7"	#6	#7	#7	11'-8"	#9	#9	#7	#4	#5	#5	14'-11"	#7	#8	#8	#4	#5	#5	
#6	#6	14'-11"	#7	#8	#8	13'-1"	#10	#9	#7	#4	#5	#5	13'-0"	#10	#9	#7	#4	#5	#5	
#6	#6	14'-10"	#7	#8	#8	13'-0"	#10	#9	#7	#4	#5	#5	14'-9"	#8	#9	#7	#4	#5	#5	
#6	#6	14'-9"	#8	#9	#9	14'-3"	#11	#9	#7	#4	#5	#5	14'-8"	#8	#9	#7	#4	#5	#5	
#6	#6	14'-8"	#8	#9	#9	14'-2"	#11	#9	#7	#4	#5	#5	14'-1"	#8	#9	#7	#4	#5	#5	
#7	#7	17'-1"	#8	#9	#9	14'-1"	2~ #14 & 1~ #9	#9	#7	#4	#5	#5					#4	#5	#5	

NOTE: USE THIS INDEX ONLY WHEN SOIL SPT N VALUES ARE BETWEEN 10 AND 40

REVISIONS

DATE	BY	DESCRIPTION	DATE	BY	DESCRIPTION
07/01/08	SJN	Added "POST LENGTH WITH CAP" column, Bars D & Bars P5 thru P8 in Post and Pile Dimension table, and added Bars P5 thru P8 in Bar Bending Details.			



2008 Interim Design Standard

**PRECAST SOUND BARRIERS -
 PILE DEPTH AND REINFORCING SUMMARY**

Interim Date: 07/01/08
 Sheet No. 1 of 1
 Index No. 5206