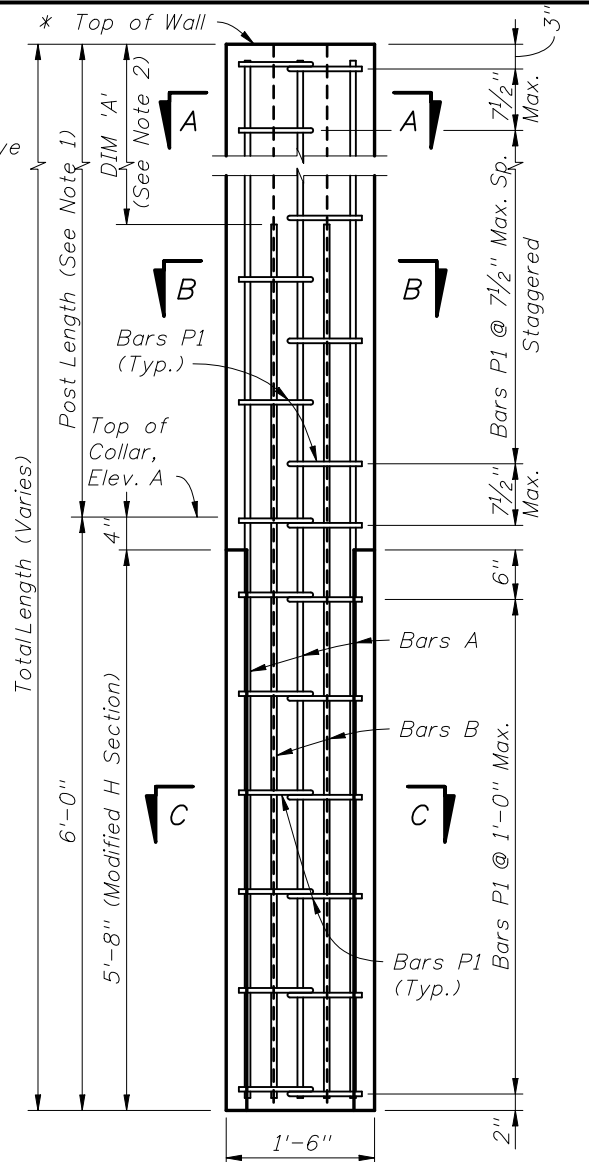
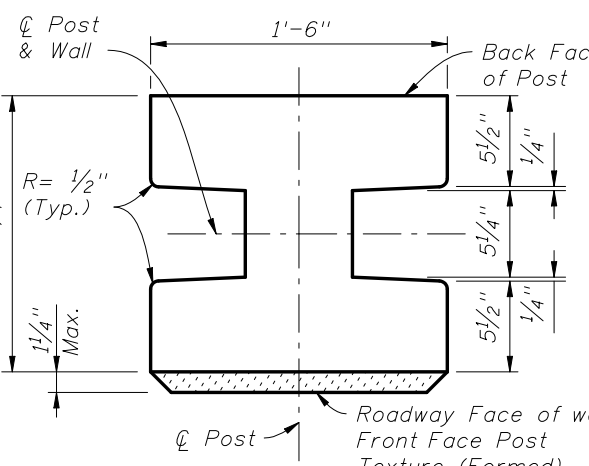


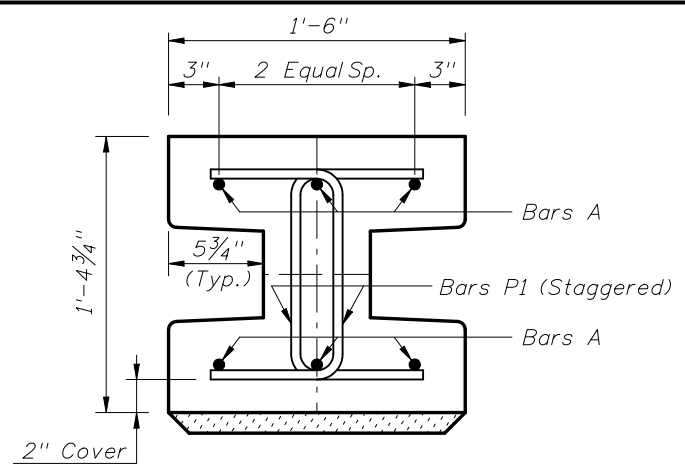
POST IN AUGERED HOLE
(Cast-In-Place Collar shown, Precast Collar similar)



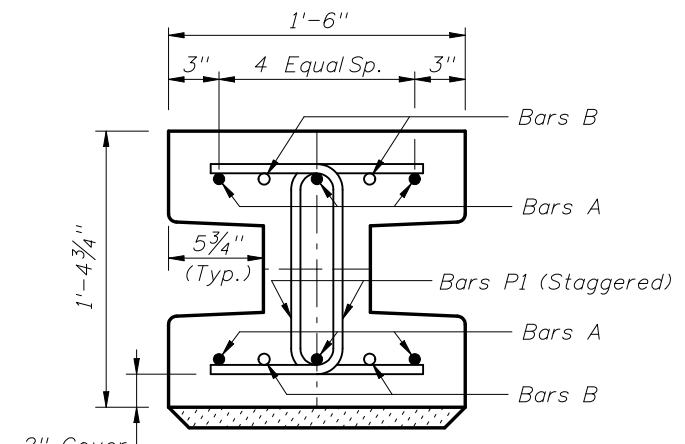
POST DETAIL WITH C-I-P COLLAR
(Prior to placement in augered hole)



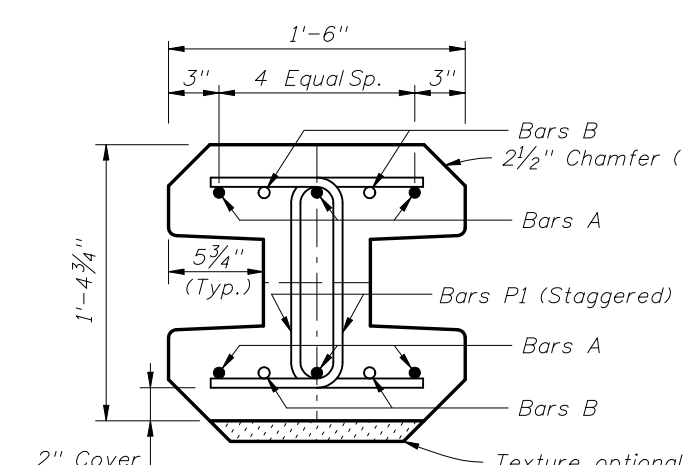
TYPICAL POST SECTION
(H Section)



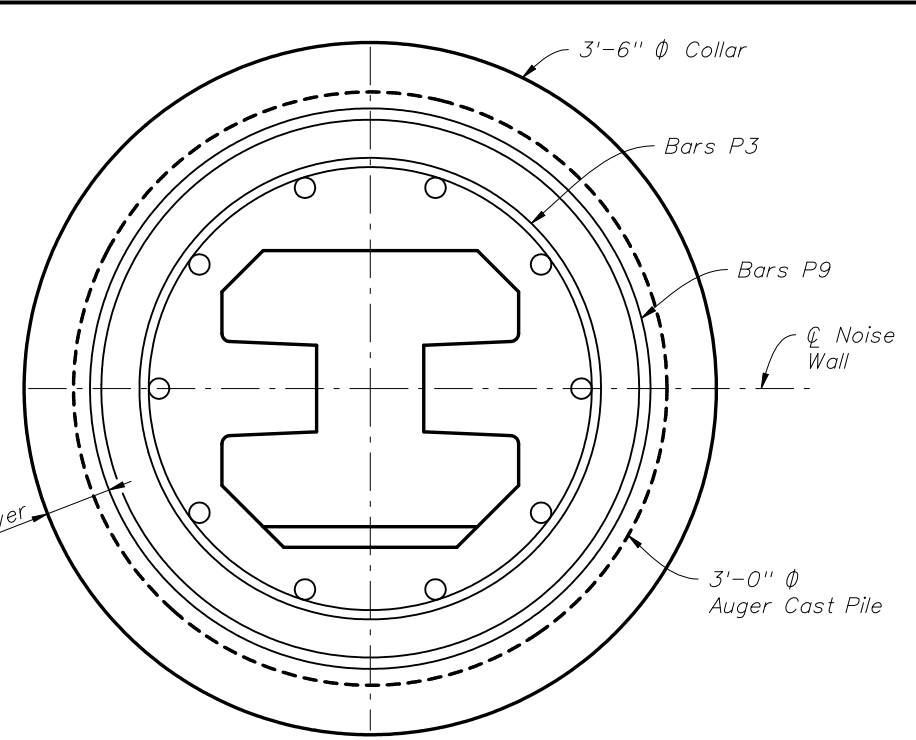
SECTION A-A
(H Section)



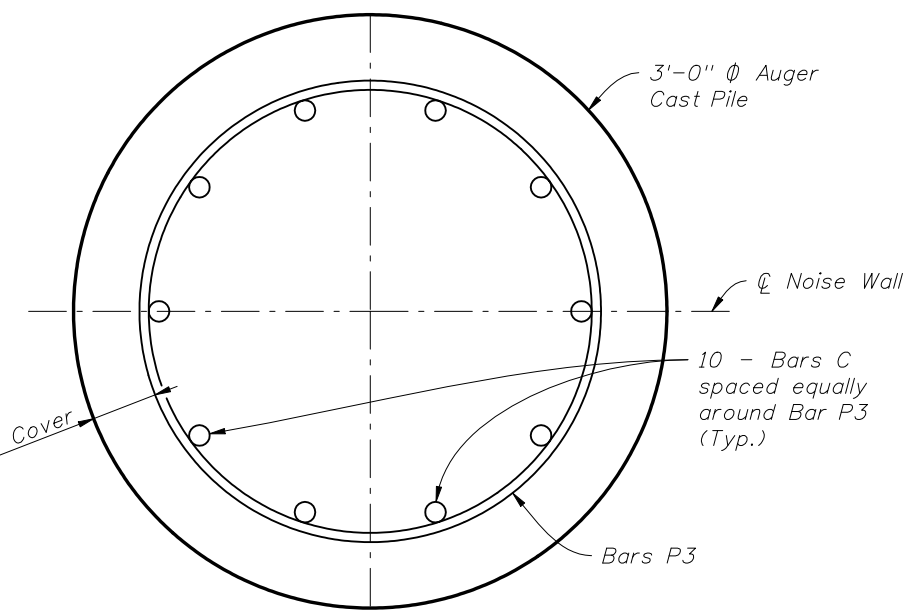
SECTION B-B
(H Section)



SECTION C-C
(Modified H Section)



SECTION D-D

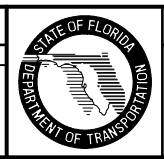


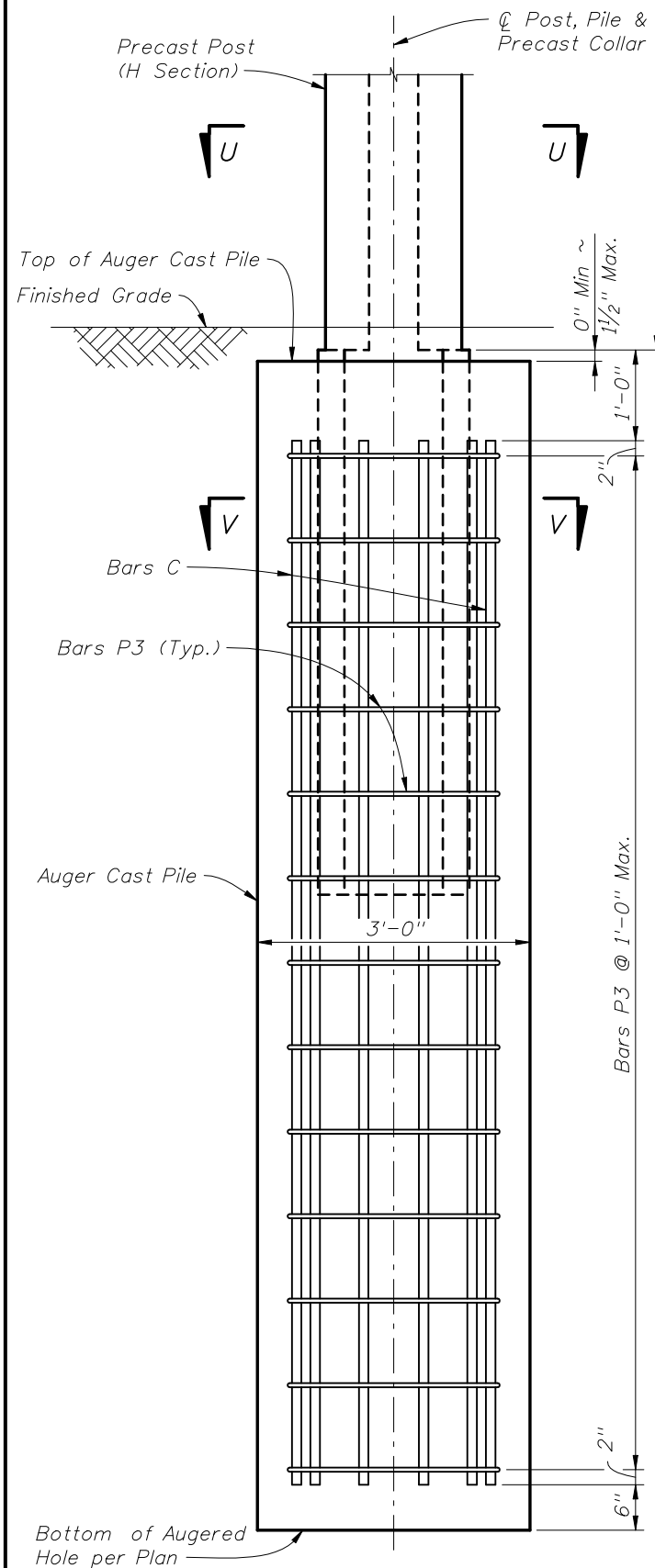
SECTION E-E

- NOTES:**
1. For Post and Pile Lengths, see Index No. 5206.
 2. For Table of Reinforcing Steel Sizes and DIM 'A' see Index No. 5206.
 3. For Precast Collar Option see Sheet 2 of 7.

PILE/POST CONNECTION OPTION A

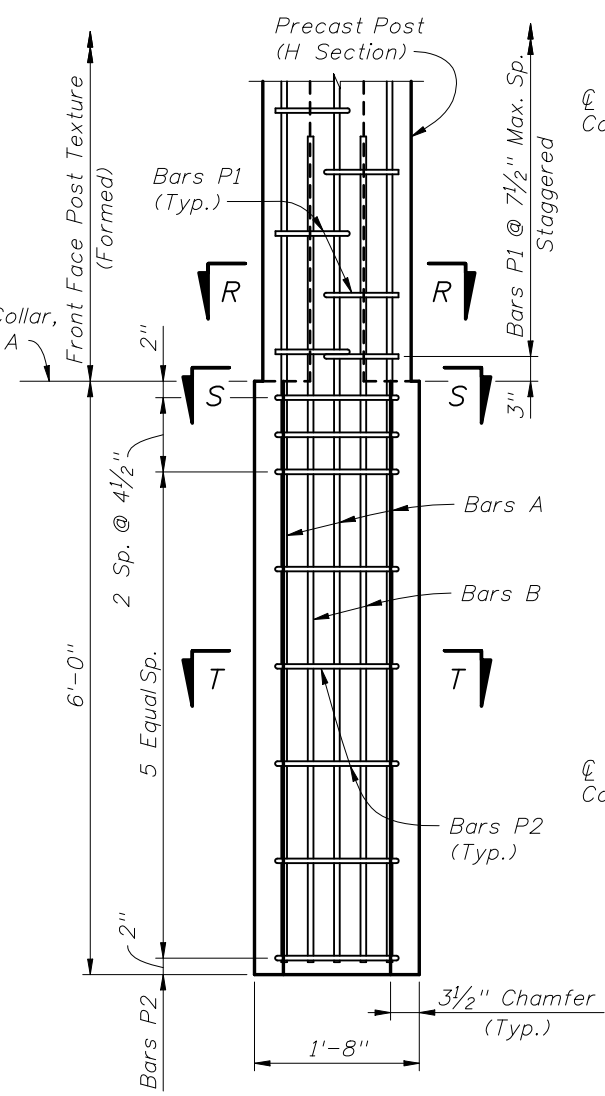
REVISIONS			
DATE	BY	DESCRIPTION	
07/01/09	SUN	Added * note for 2" post extension when post caps are required; Side cover in auger cast piles changed to 4"; Sheet redrawn and Sections renamed.	



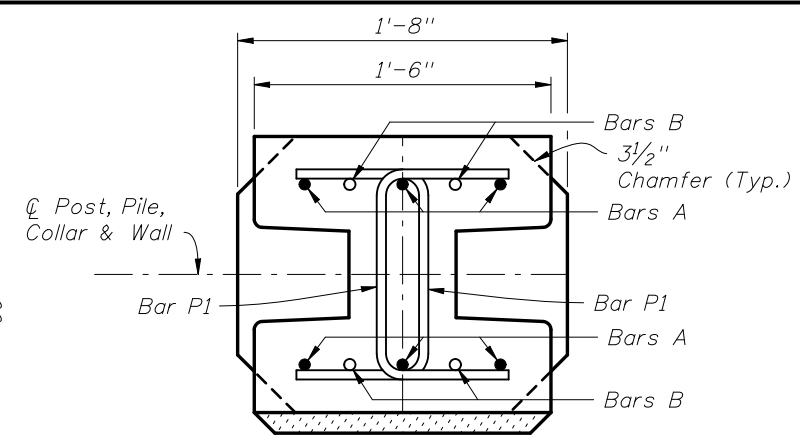


PRECAST COLLAR IN AUGER CAST PILE
(Collar and Post reinforcing steel not shown)

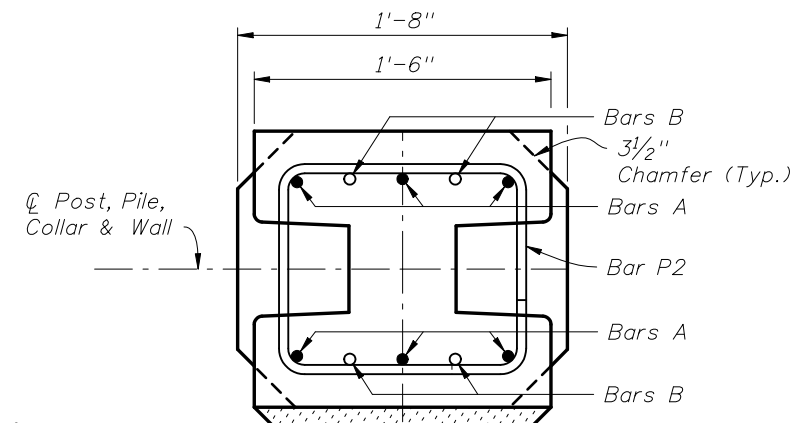
- NOTES:
1. For Post and Pile Lengths, see Index No. 5206.
 2. For Reinforcing Steel Sizes, see Index No. 5206.
 3. For Pile/Post Connection Option A, see Sheet No. 1 of 7.



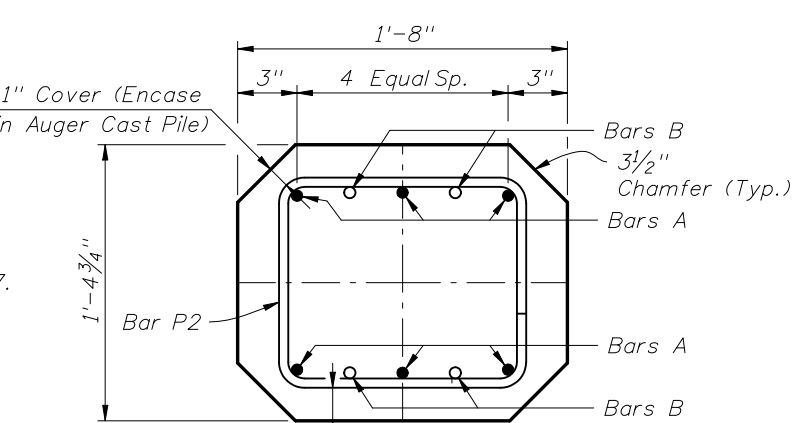
PRECAST COLLAR DETAIL



SECTION R-R

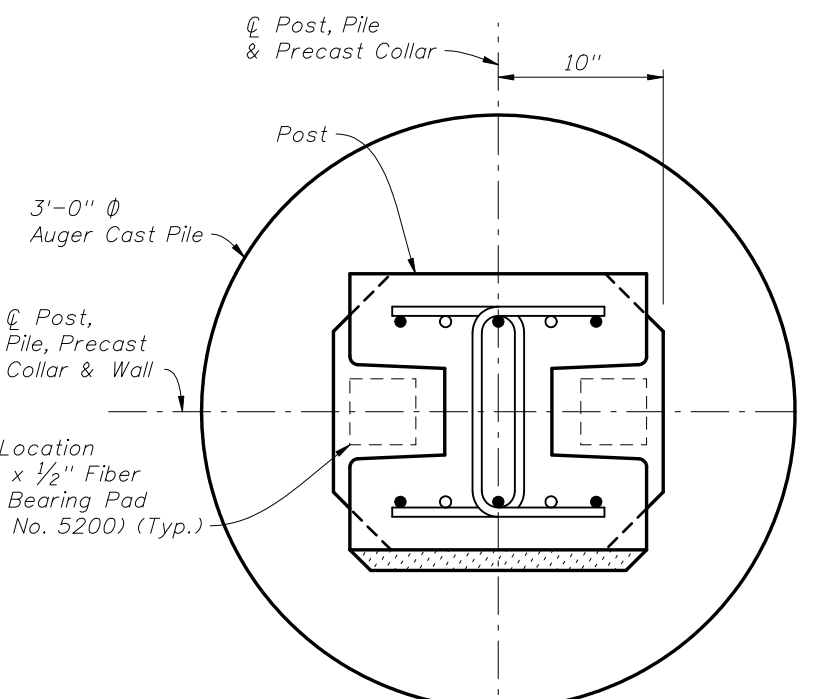


SECTION S-S

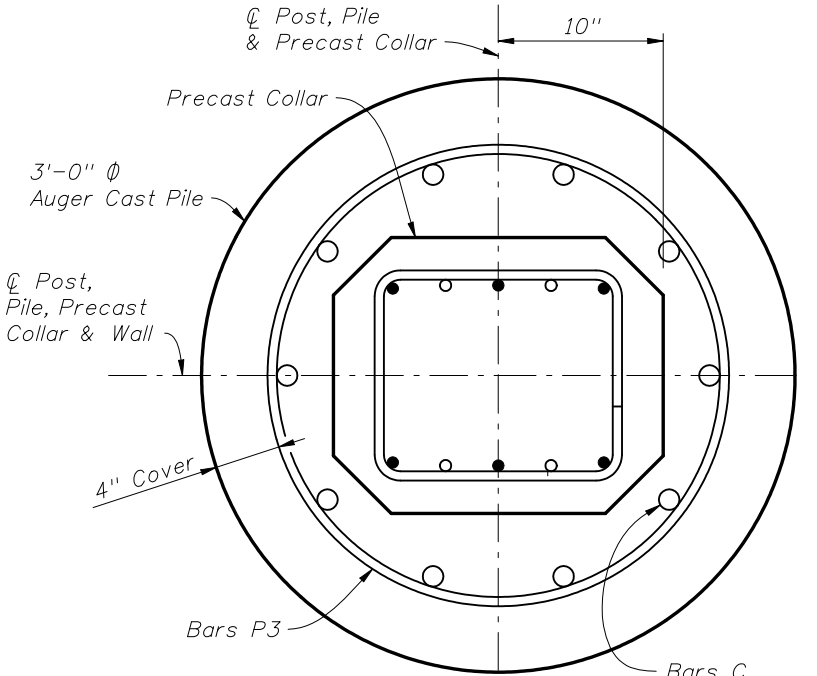


SECTION T-T

* - Unless Otherwise Noted



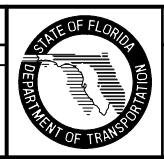
SECTION U-U



SECTION V-V

PRECAST COLLAR FOR PILE/POST CONNECTION OPTION A

REVISIONS			REVISIONS		
DATE	BY	DESCRIPTION	DATE	BY	DESCRIPTION
07/01/08	SJN	Changed "Composite" to "Fiber Reinforced" in Section T-T. Added tolerance for distance between Top of Precast Collar and Auger Cast Pile.	07/01/09	SJN	Side cover in auger cast piles reduced to 4"; Sheet redrawn and Sections renamed.



2008 Interim Design Standard

**PRECAST SOUND BARRIERS -
PILE AND POST REINFORCING STEEL**

Interim Date: 07/01/09
Sheet No.: 2 of 7
Index No.: 5205

