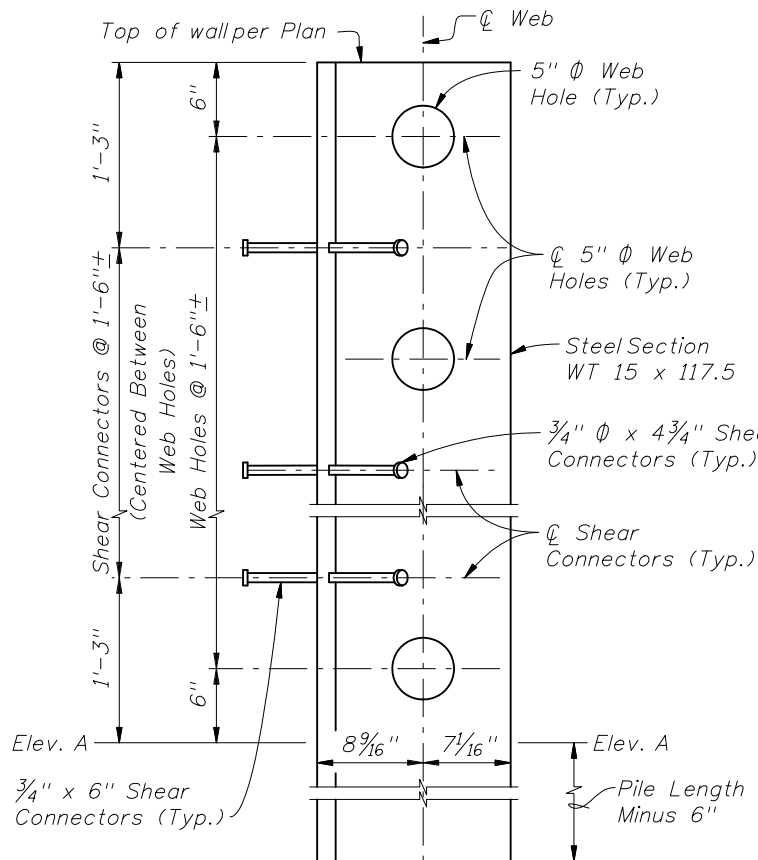
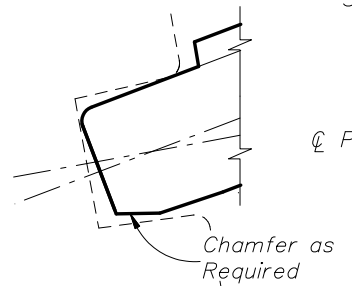


PIVOTING POINT DETAILS

NOTE: The shop drawings shall include specific pivoting point details of panel ends at locations where the deflection angle (2Δ) between panels exceeds 20° .

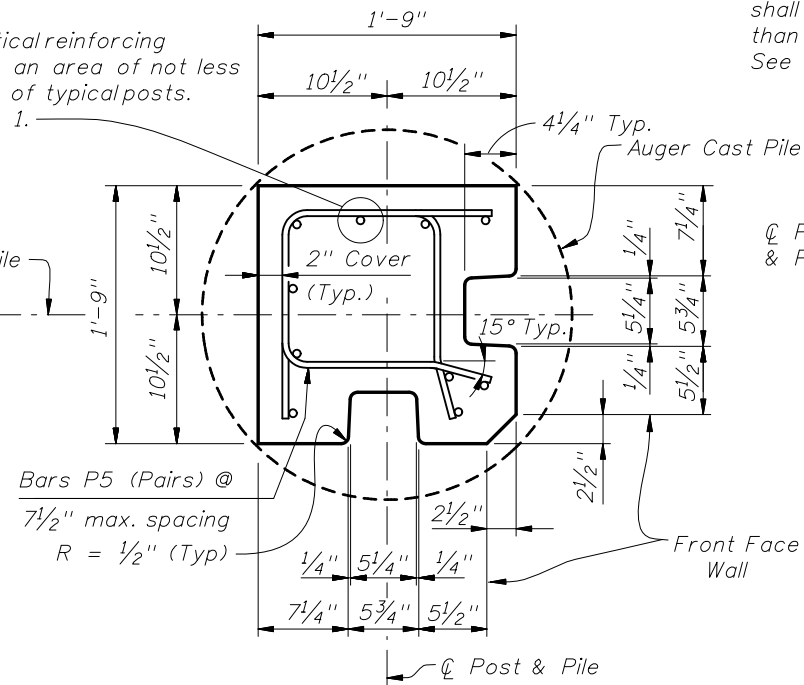


WEB HOLE & SHEAR CONNECTOR SPACING DETAIL
(Concrete not shown for clarity. For limits of concrete see Index No. 5205, Sheet No. 4 of 7.)



Total vertical reinforcing shall have an area of not less than that of typical posts. See Note 1.

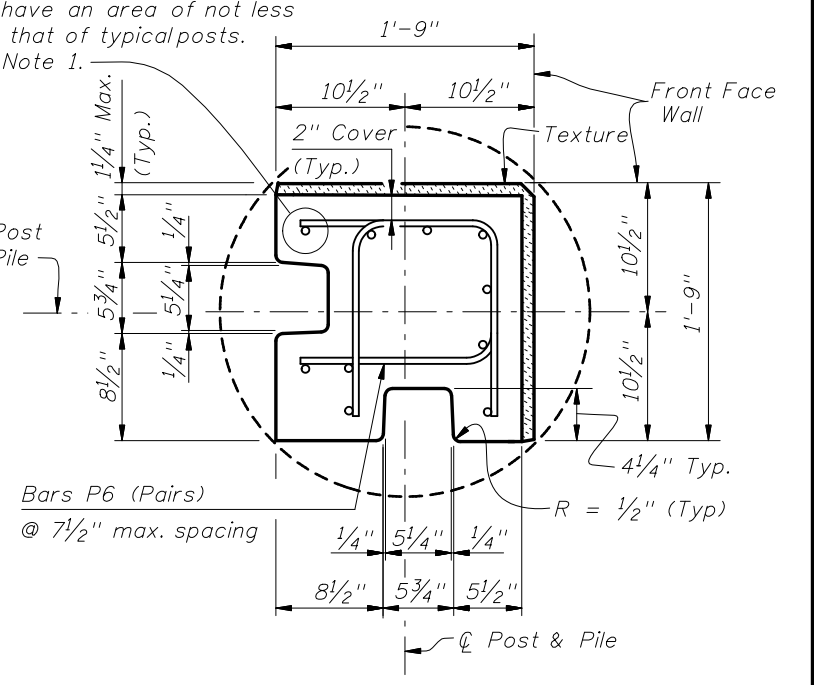
Φ Post & Pile



SPECIAL POSTS FOR 90° CORNERS FOR PILE/POST CONNECTION OPTIONS A, B & E
Collars for Corner Posts shall be 3'-6" Φ

Total vertical reinforcing shall have an area of not less than that of typical posts. See Note 1.

Φ Post & Pile

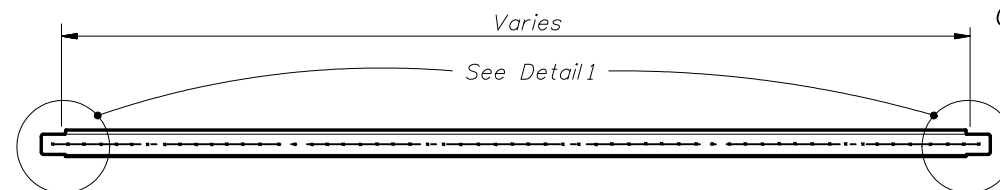


SPECIAL POSTS FOR 90° CORNERS FOR PILE/POST CONNECTION OPTIONS C & D
Collars for Corner Posts shall be 3'-6" Φ

NOTES:

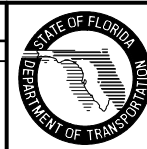
- For Table of Reinforcing Steel Sizes, see Index No. 5206.
- For Pile/Post Connection Options A through E, see Index No. 5205.
- For Post & Pile Lengths, see Index No. 5206.

PANEL PLAN



REVISIONS

DATE	BY	DESCRIPTION	DATE	BY	DESCRIPTION
07/01/08	SJN	Changed #4 Bar Mark to Bars P5, P6, P7 & P8 for Pile/Post Options A, B & E; Texture thickness to 1 $\frac{1}{4}$ " Max. and sheet number to Sheet No. 3 of 5.	01/01/09	SJN	Corrected callout for Bars P5 & P6 in Corner Post Option A, B and E.



2008 Interim Design Standard

PRECAST SOUND BARRIERS
- RECESSED PANEL OPTION

Interim Date

01/01/09

Sheet No.

3 of 5

Index No.

5203