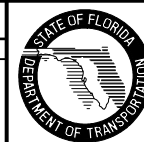


TYPICAL PANELS AND POSTS

REVISIONS

DATE	BY	DESCRIPTION	DATE	BY	DESCRIPTION
07/01/08	SJN	Added Precast Post Cap Detail. Changed Step Panel At Bottom of Wall clearance to 1/2" Min. ~ 4" Max.; and Neoprene Pads in Section A-A & B-B.			



2008 Interim Design Standard

PRECAST SOUND BARRIERS
- RECESSED PANEL OPTION

Interim Date

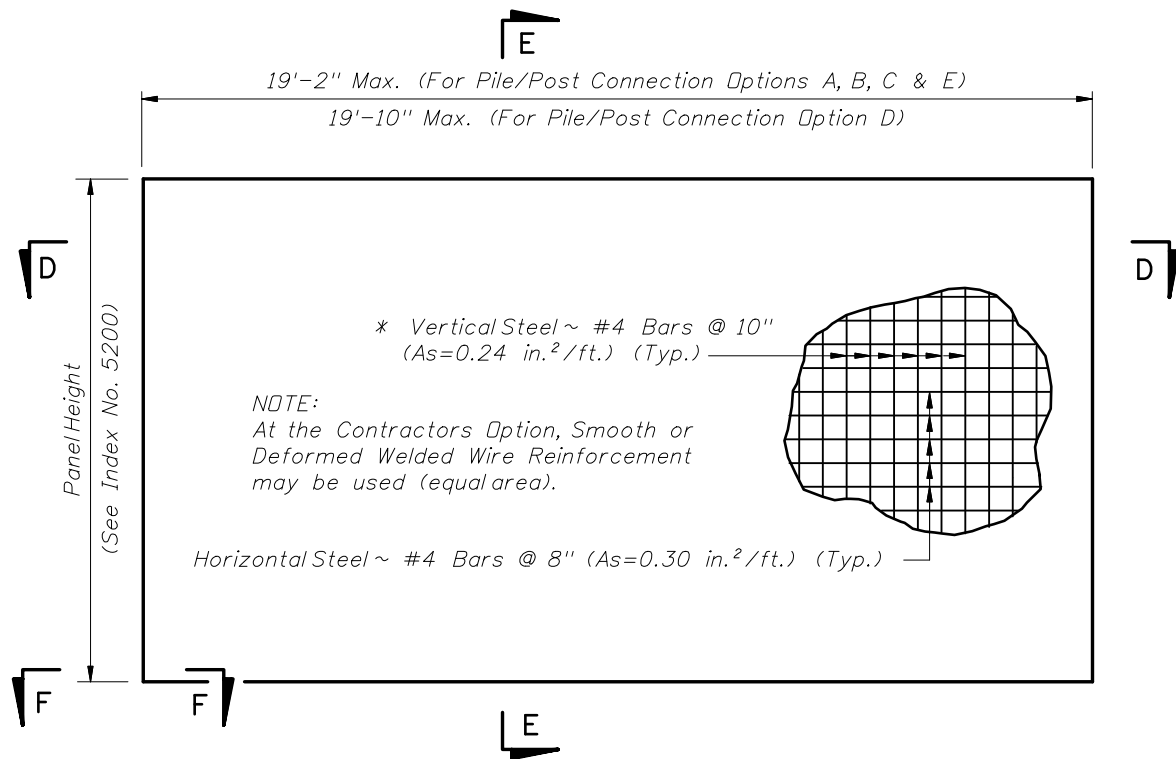
07/01/08

Sheet No.

1 of 5

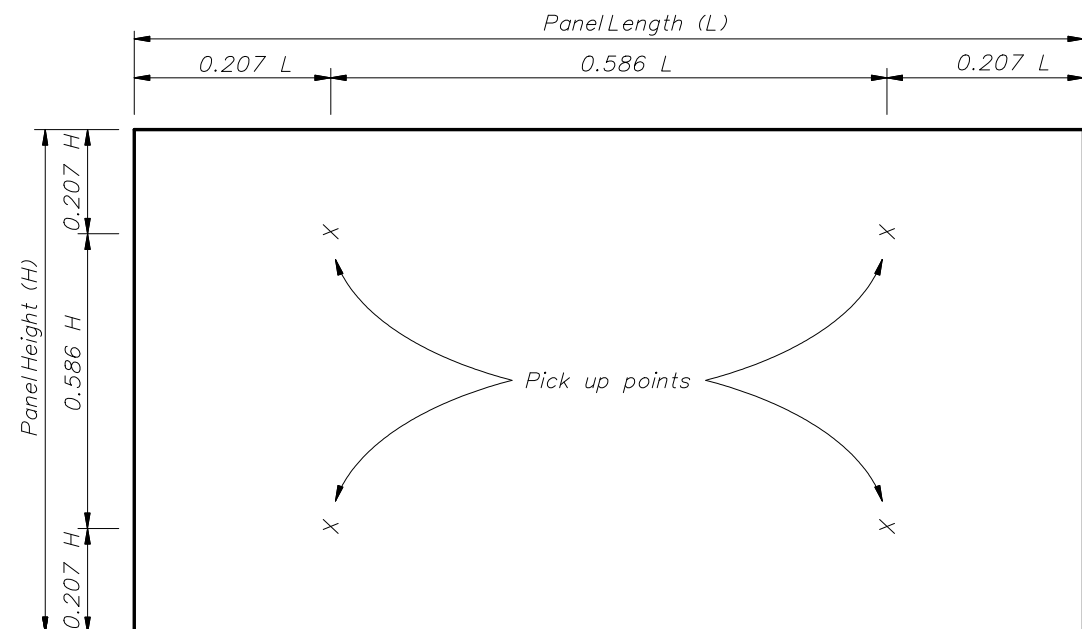
Index No.

5203

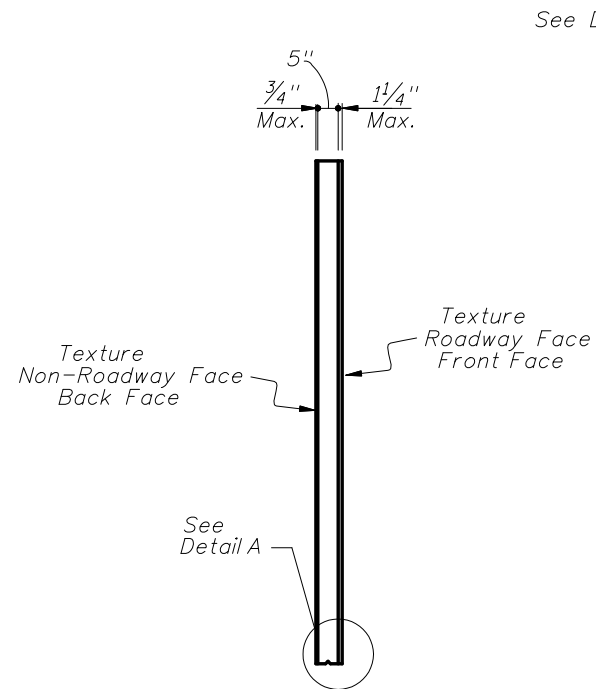


TYPICAL PANEL ELEVATION

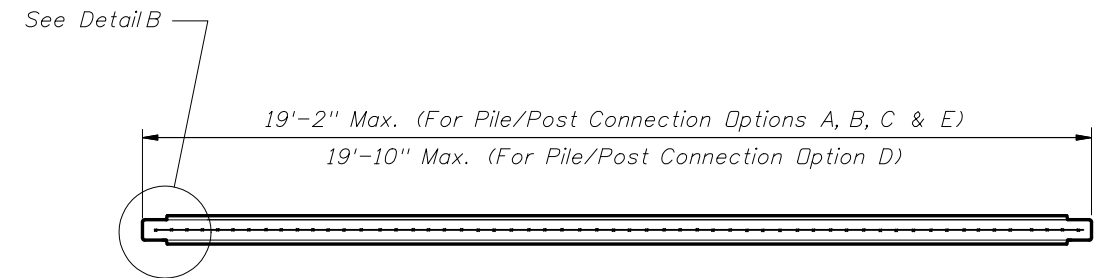
* In lieu of utilizing the pick up points below, panels may be cast vertically or cast horizontally then tilted upright using tilt-tables prior to lifting from form. In this case, the vertical steel may be reduced to #4 Bars @ 1'-3" (As=0.15 in.²/ft.).



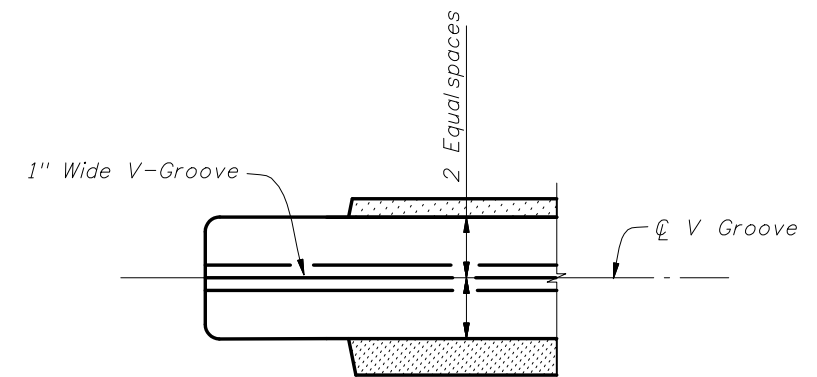
REQUIRED PICK UP POINTS FOR PANELS
(Panels shall be rotated about long axis only)



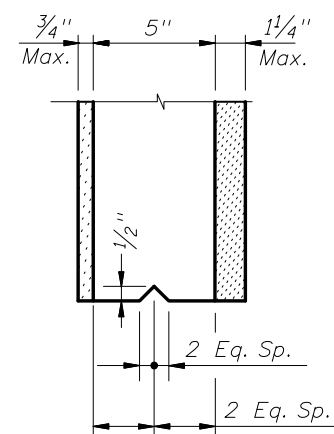
SECTION E-E



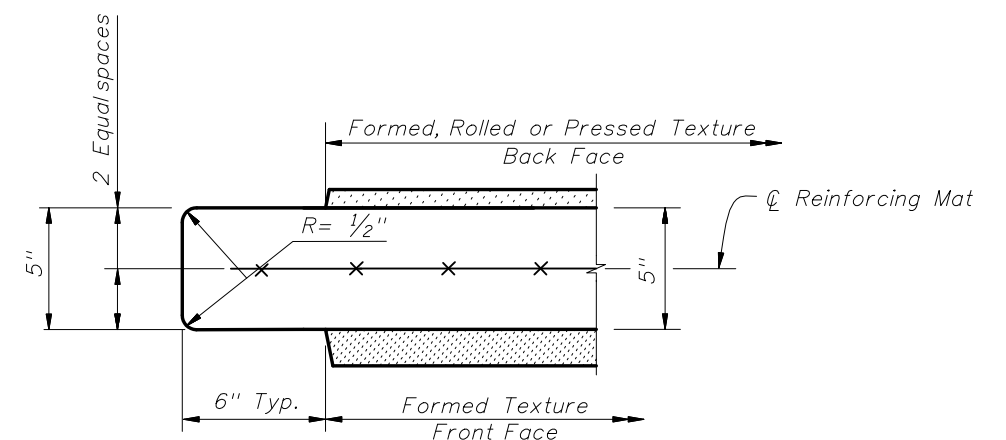
SECTION D-D



SECTION F-F



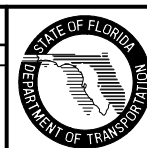
DETAIL A



DETAIL B
(Typical both ends)

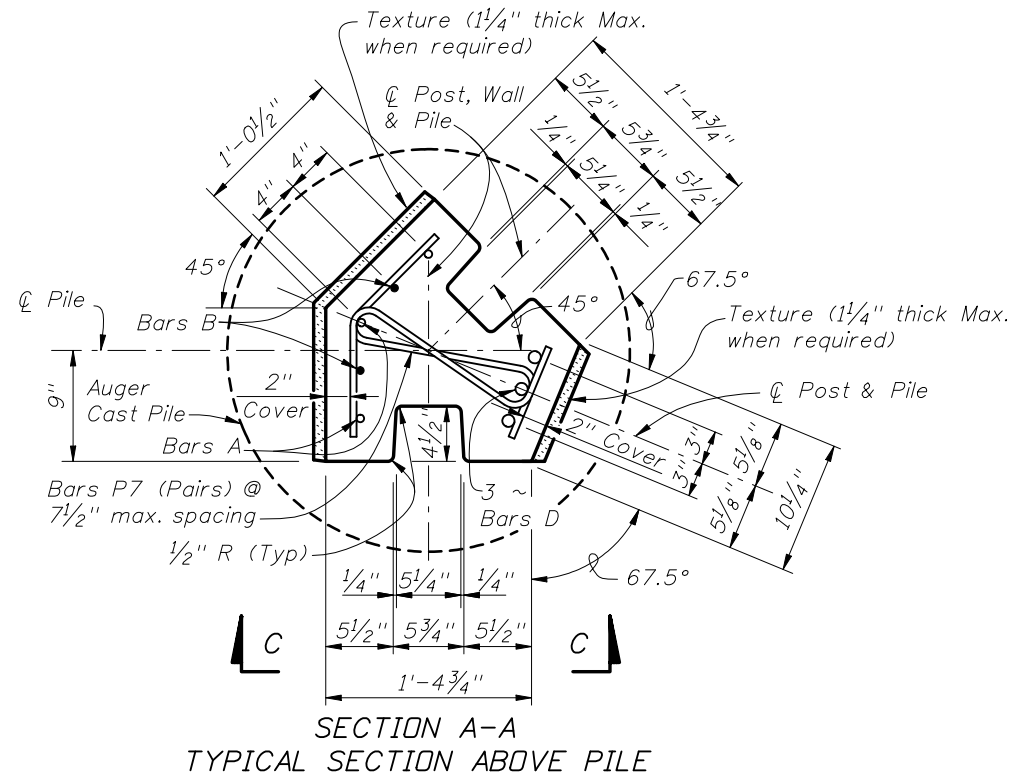
TYPICAL PANELS AND POSTS

REVISIONS					
DATE	BY	DESCRIPTION	DATE	BY	DESCRIPTION
07/01/08	SJN	Sheet renumbered.			

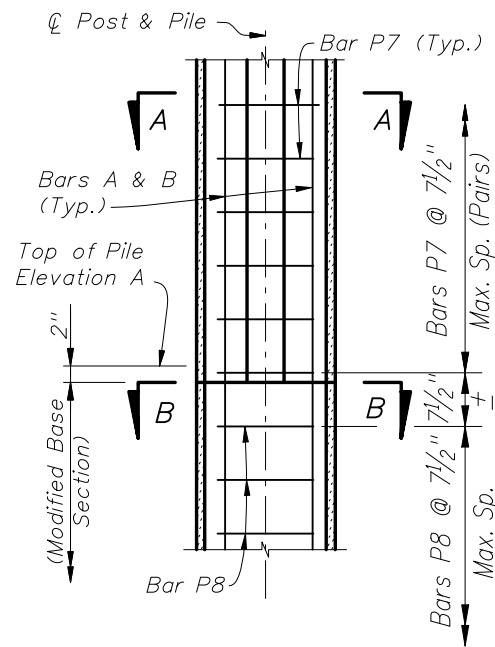


2008 Interim Design Standard
**PRECAST SOUND BARRIERS
- RECESSED PANEL OPTION**

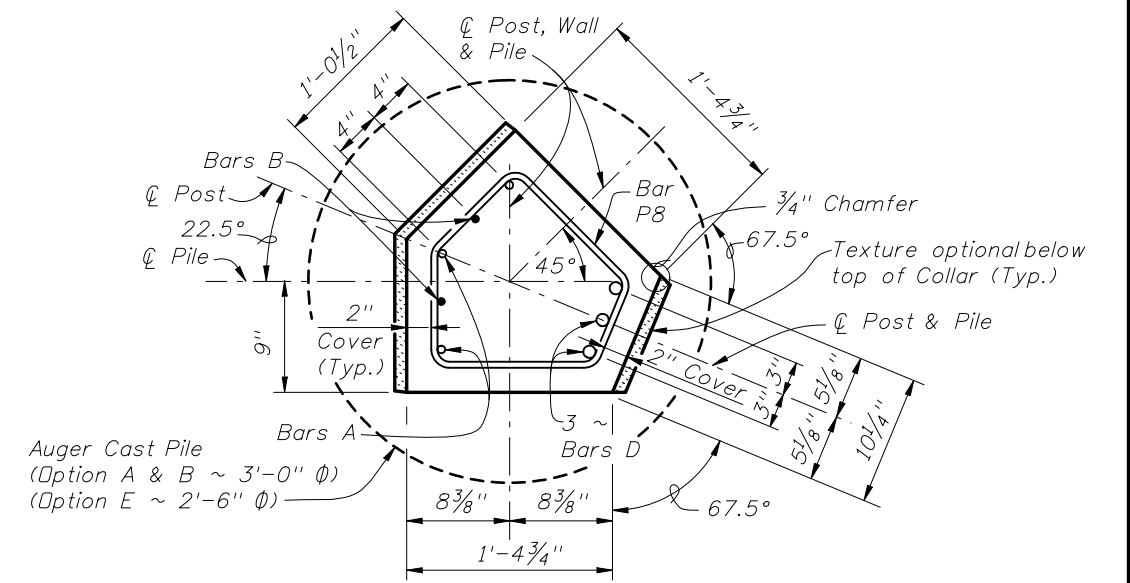
Interim Date: 07/01/08
Sheet No.: 2 of 5
Index No.: **5203**



SECTION A-A
TYPICAL SECTION ABOVE PILE

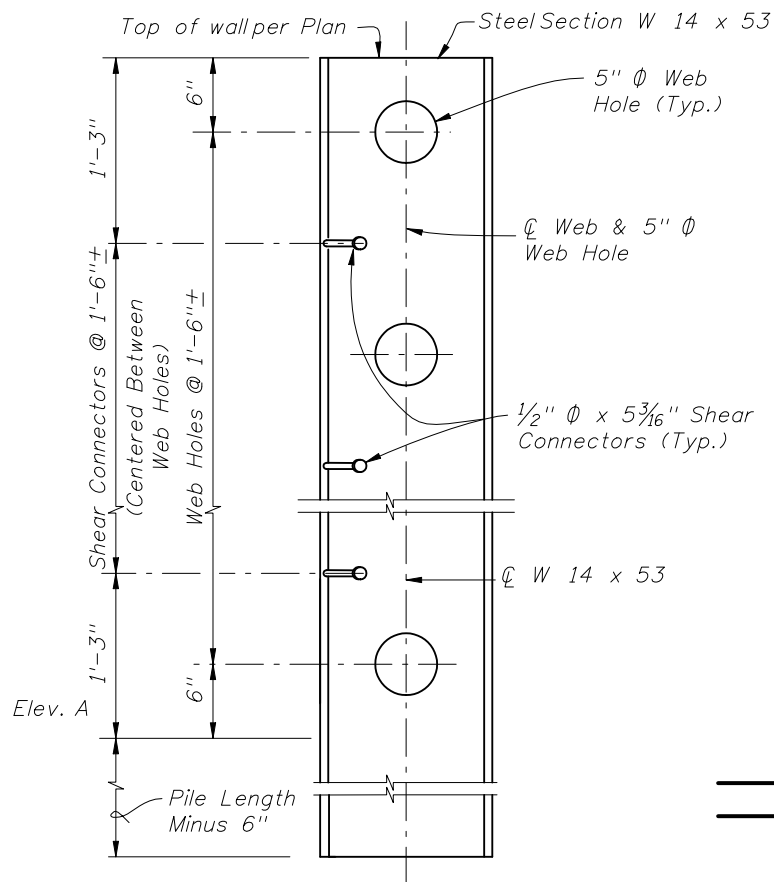


VIEW C-C (PARTIAL ELEVATION)
(Only Front Faces Shown for Clarity)

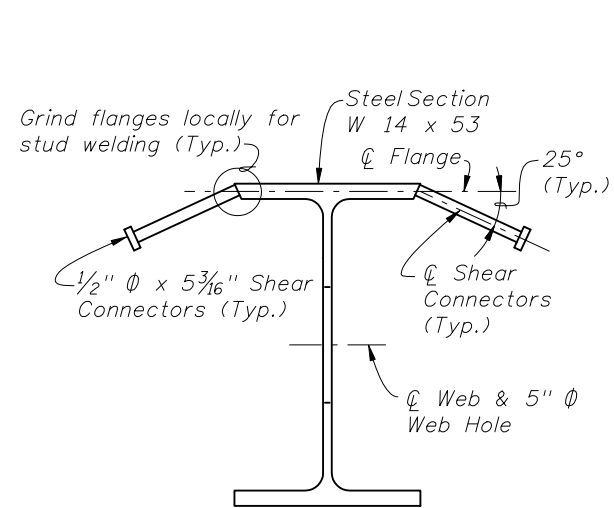


SECTION B-B
PRECAST COLLAR SECTION

SPECIAL POSTS FOR 45° CORNERS FOR
PILE/POST CONNECTION OPTIONS A, B & E

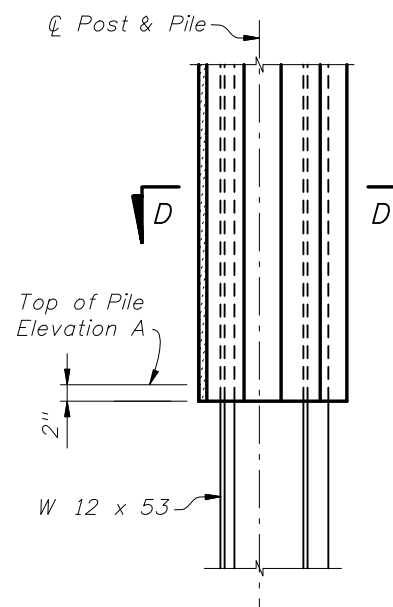


WEB HOLE AND SHEAR CONNECTOR
SPACING DETAIL
(Concrete not shown for clarity)

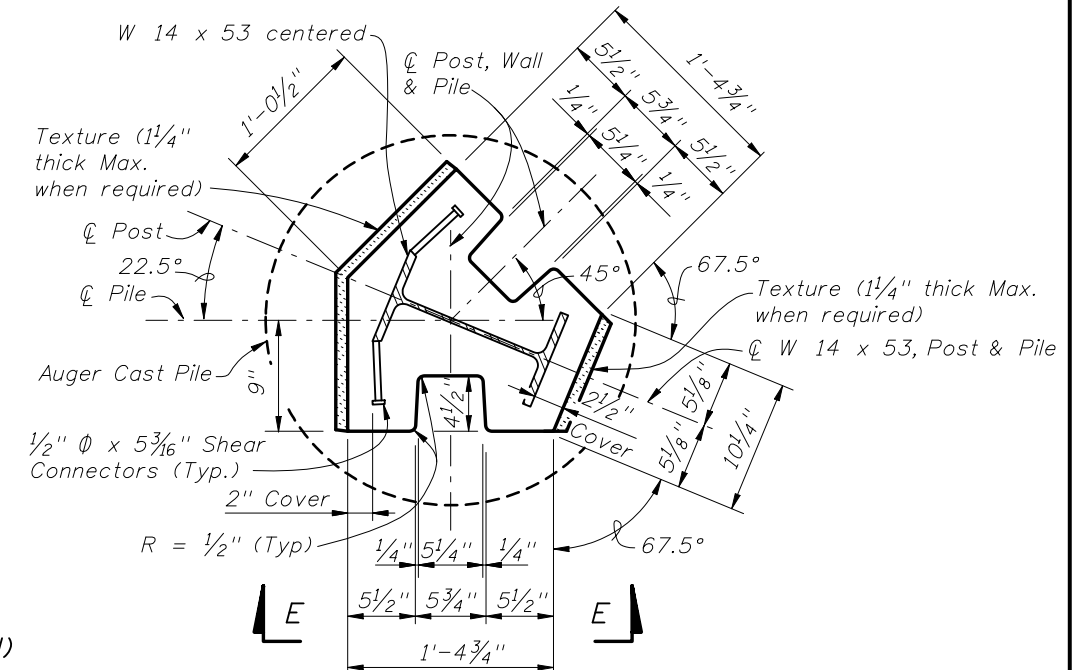


W 14 x 53 POST DETAIL

NOTE: The W 14 x 53 Section shall extend into the Auger Cast Pile.



VIEW E-E (PARTIAL ELEVATION)
(Only Front Faces Shown for Clarity)



SECTION D-D
TYPICAL SECTION ABOVE PILE

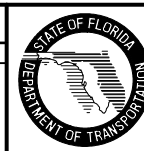
SPECIAL POSTS FOR 45° CORNERS FOR
PILE/POST CONNECTION OPTIONS C & D

NOTES:

1. For Table of Reinforcing Steel Sizes, see Index No. 5206.
2. For Pile/Post Connection Options A through E, see Index No. 5205.
3. For Post & Pile Lengths, see Index No. 5206.
4. Shear Connectors shall be 5" long after welding.

SPECIAL 45° CORNER POSTS

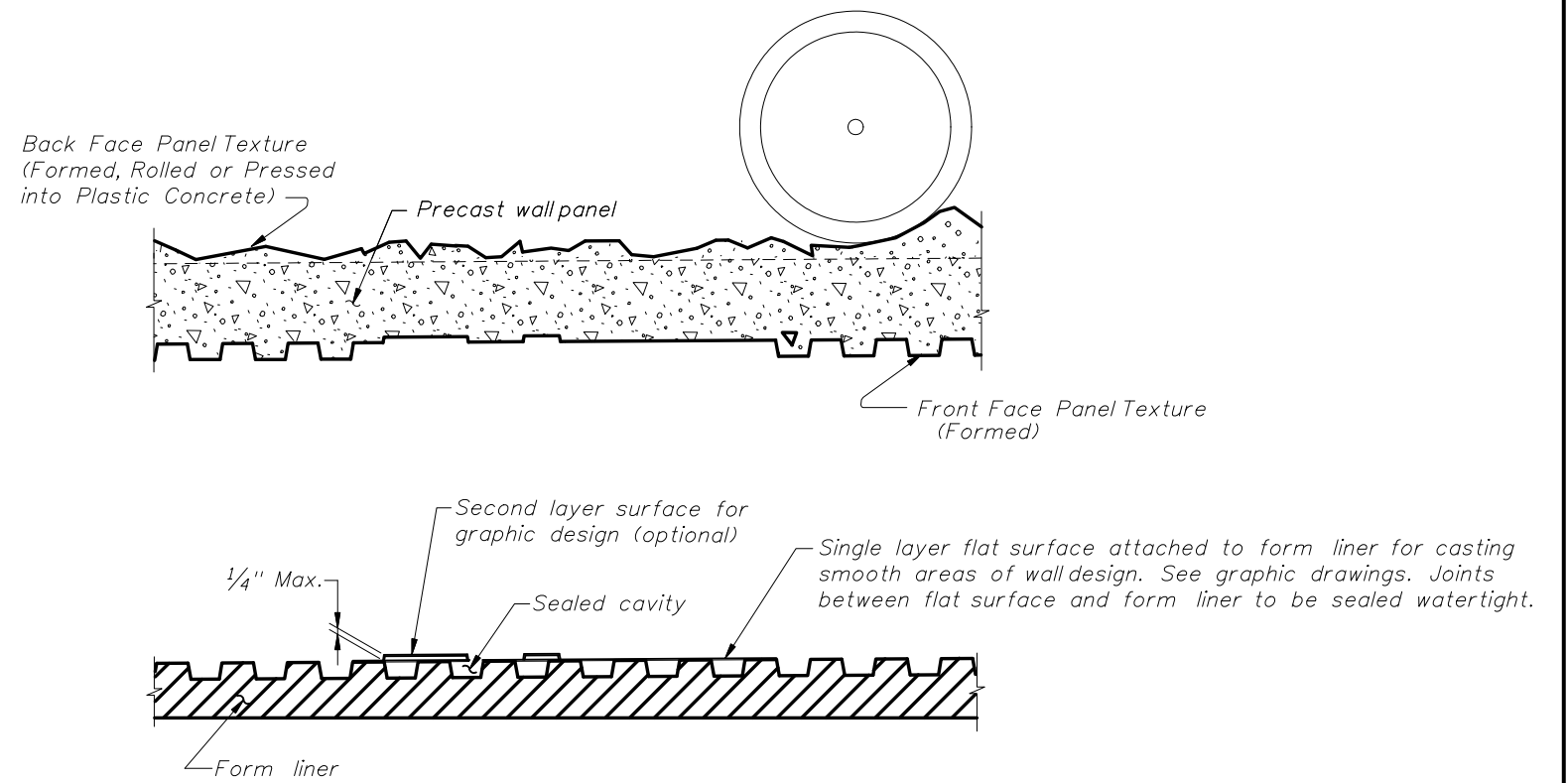
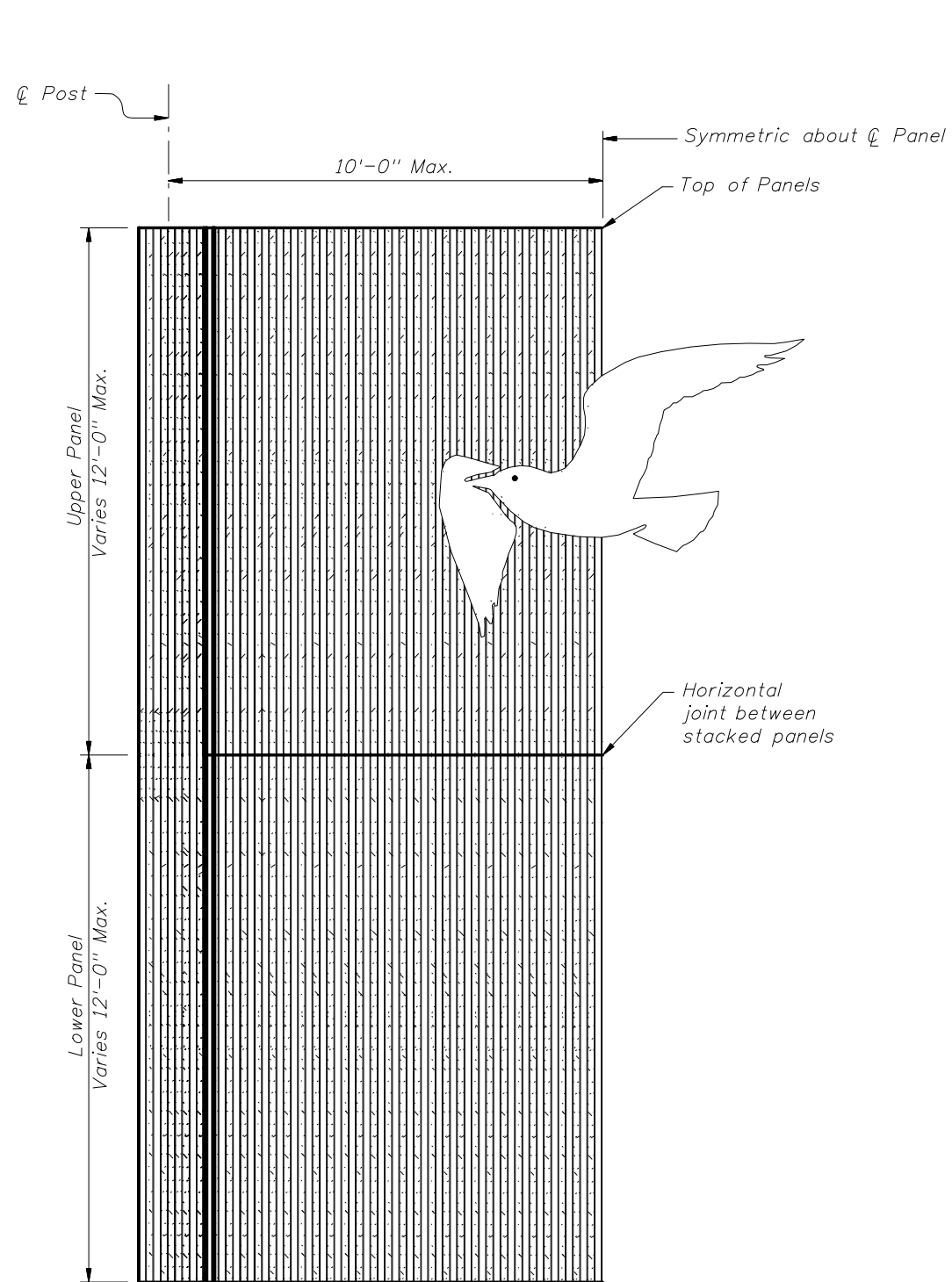
REVISIONS			
DATE	BY	DESCRIPTION	
07/01/08	SJN	New Sheet	



2008 Interim Design Standard

PRECAST SOUND BARRIERS
- RECESSED PANEL OPTION

Interim Date	Sheet No.
07/01/08	4 of 5
Index No.	
5203	



TYPICAL FORMING DETAIL
 (Front Face Panel Texture Type "H" Shown.)
 (Back Face Panel Texture Type "D" Shown.)

NOTES:

1. Contractor shall submit specific form liner samples for approval by the Engineer.
2. Textures and graphics shown are for demonstration purposes only. See Wall Control Drawings for project specific texture and graphic requirements.

HALF ELEVATION
 (Pile/Post Connection Options A, B, C and E Shown.)
 (Front Face Panel Texture Type "H" and Front Face Post Texture Type "H" Shown.)
 (Graphic Type LG-3 Shown.)

REVISIONS

DATE	BY	DESCRIPTION	DATE	BY	DESCRIPTION
07/01/08	SJN	Sheet renumbered.			

