

**Notes:**

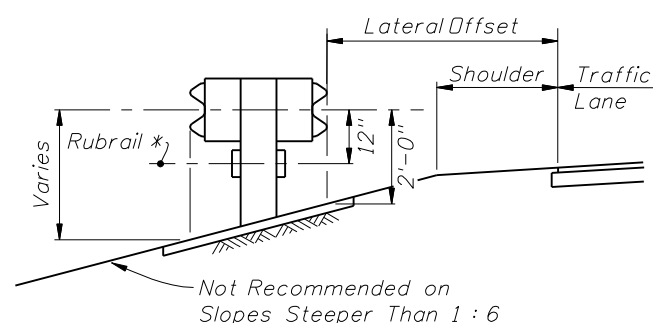
1. Typical placement shown. May be constructed at other locations as called for in the plans.
2. Rubrail required on median side or ditch side of barrier.

**MOUNTING HEIGHT FOR DOUBLE FACED GUARDRAIL ON MEDIAN SHOULDERS (FREEWAYS)**

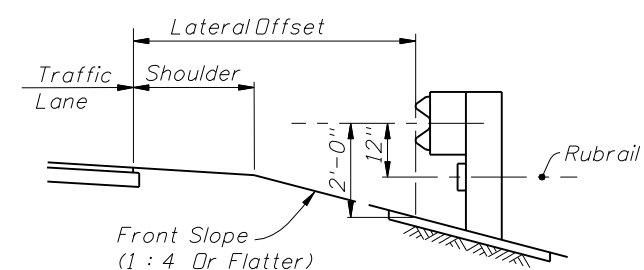
LATERAL PLACEMENT ON SLOPES (FROM EDGE OF NEAR TRAFFIC LANE) <sup>(1)</sup>			
Slope	Standard Guardrail <sup>(2)</sup>	Guardrail Not Recommended	Guardrail With Rubrail <sup>(3)</sup>
1:4	to 13'	14' to 27'	28' to 45'
1:5	to 14'	15' to 25'	26' to 45'
1:6	to 16'	17' to 22'	23' to 45'
1:7	to 20'	21' to 24'	25' to 45'
1:8	to 25'		26' to 45'
1:9	to 26'		27' to 45'
1:10	to 27'		28' to 45'

**Notes:**

- (1) For shoulders less than 12' in width the tabulated values will be reduced by the difference between 12' and the shoulder width. Placement of guardrail on front slopes steeper than 1:4 not recommended. Cost of rubrail to be included in the contract unit price for guardrail.
- (2) Standard guardrail: 1'-9" to center of post bolt. Rubrail required on median side when double face guardrail is used.
- (3) Guardrail with rubrail: 2'-0" to center of post bolt.



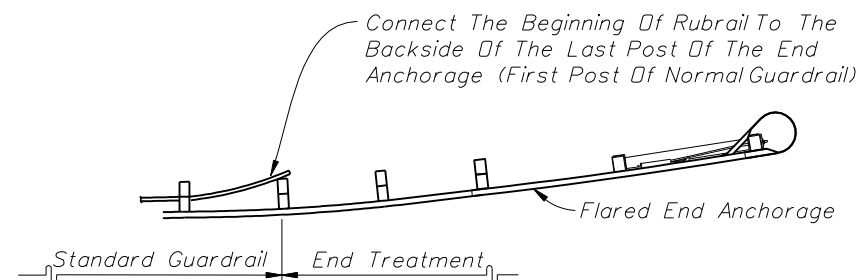
GUARDRAIL ON MEDIAN SLOPES



GUARDRAIL ON OUTSIDE SLOPES

\* C6x8.2, Plates And Fastners or Bent Plate And Fastners In Accordance With Standards RLR01 And RER01 Of AASHTO-AGC-ARTBA "A Guide To Standardized Highway Barrier Hardware"

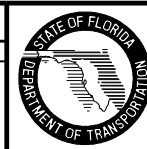
**GUARDRAIL ON SLOPES**



RUBRAIL TERMINATION

**REVISIONS**

DATE	BY	DESCRIPTION	DATE	BY	DESCRIPTION
12/10/08	ABK	Added details for guardrail on slopes			



2008 Interim Design Standard

**GUARDRAIL**

Interim Date	Sheet No.
01/01/09	24 of 24
Index No.	
400	