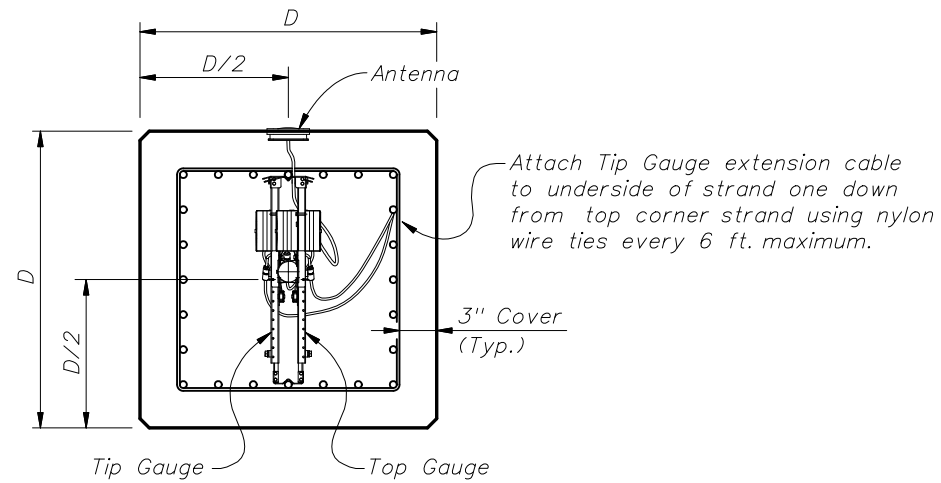
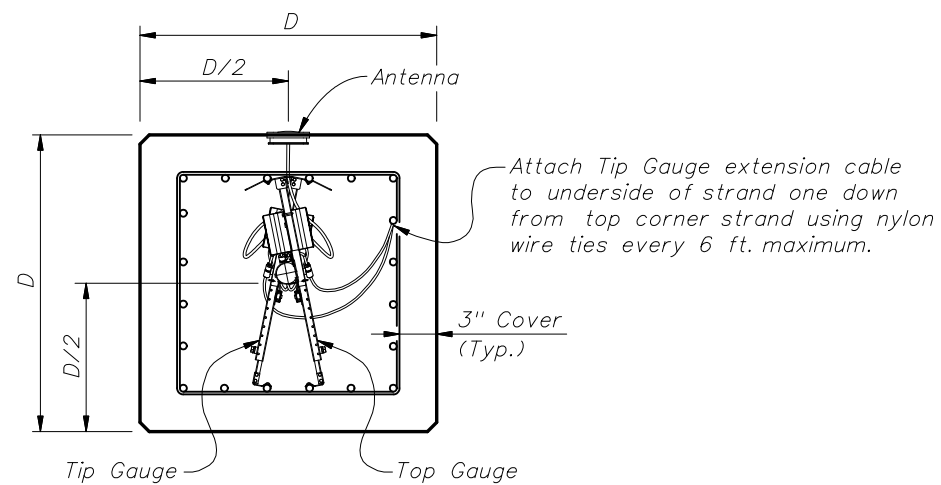


ELEVATION



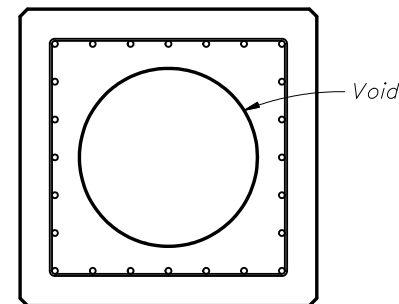
SECTION A-A

(Strand Pattern with odd number of strands per face)

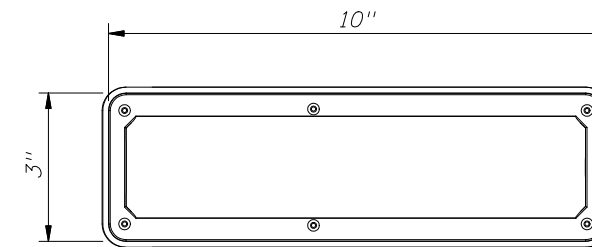


SECTION A-A

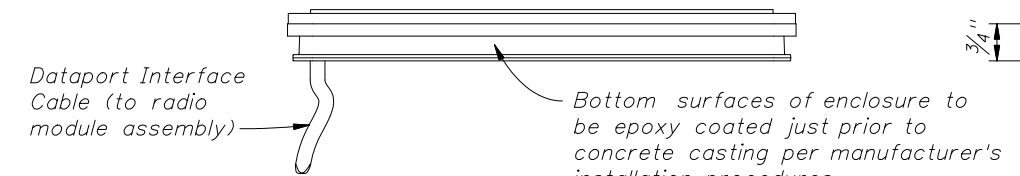
(Strand Pattern with even number of strands per face)



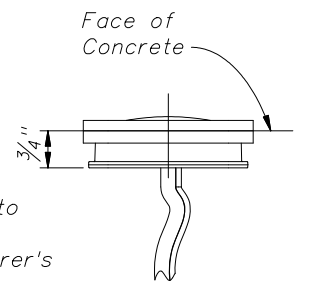
SECTION B-B
(Showing Voided Pile,
Solid Pile Similar)



ANTENNA TOP VIEW



ANTENNA SIDE VIEW

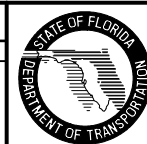


ANTENNA END VIEW

NOTE:
Provide EDC Instrumentation in square prestressed concrete piles (18" and larger) in accordance with Specification Section 455 for all bridge foundations.

REVISIONS

| DATE | BY | DESCRIPTION | DATE | BY | DESCRIPTION |
|----------|-----|-------------------------------------------------------------------|------|----|-------------|
| 01/01/08 | SJN | Moved location of EDC tip Gauge to distance "D" from tip of pile. | | | |
| 07/01/09 | SJN | Changed NDTE; Deleted 30" pile dimensions & void size. | | | |



2008 Interim Design Standard

EDC INSTRUMENTATION FOR
SQUARE PRESTRESSED CONCRETE PILES

Interim Date

07/01/09

Sheet No.

1 of 1

Index No.

20602