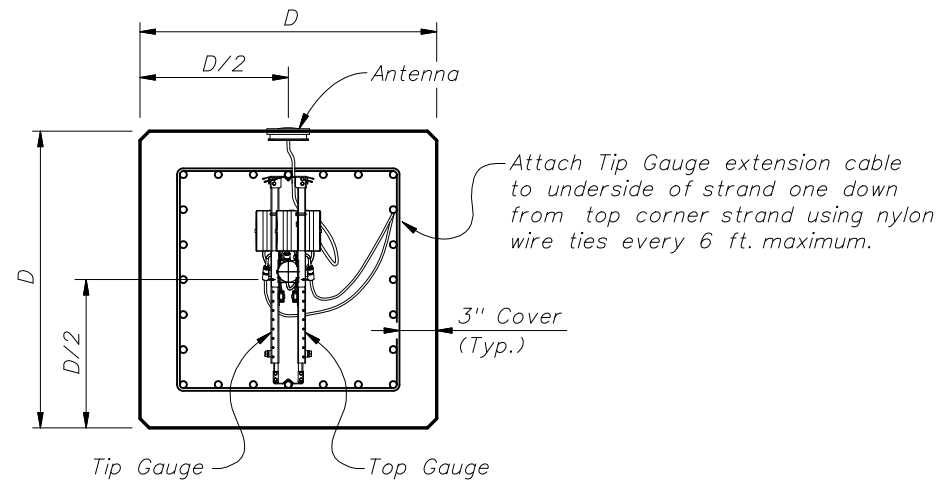
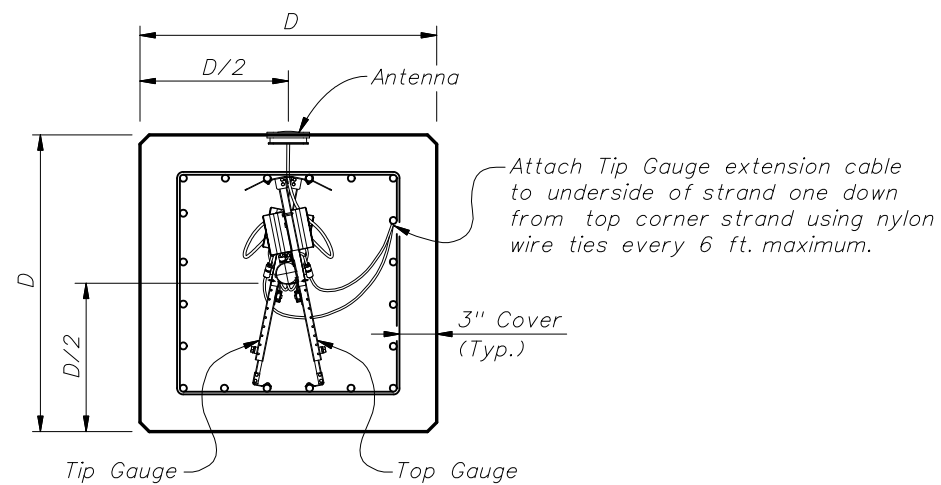


ELEVATION



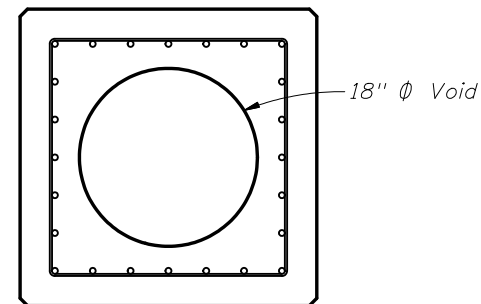
SECTION A-A

(Strand Pattern with odd number of strands per face)

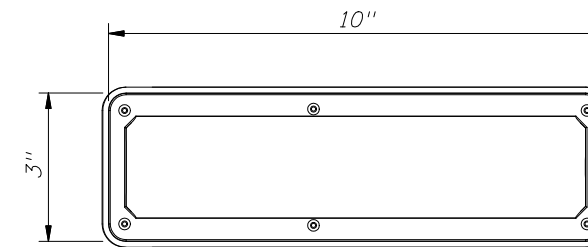


SECTION A-A

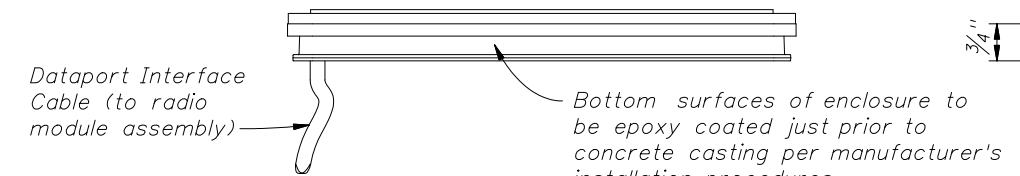
(Strand Pattern with even number of strands per face)



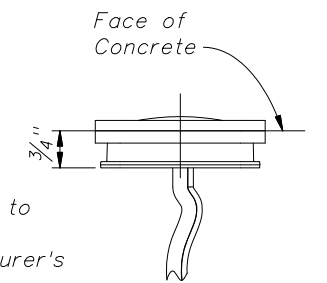
SECTION B-B
(30" Pile only)



ANTENNA TOP VIEW



ANTENNA SIDE VIEW

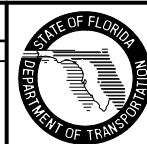


ANTENNA END VIEW

Work this sheet with
 Index No. 20618 for 18" square piles,
 Index No. 20624 for 24" square piles,
 Index No. 20630 for 30" square piles.

REVISIONS

DATE	BY	DESCRIPTION	DATE	BY	DESCRIPTION
01/01/08	SJN	Moved location of EDC tip Gauge to distance "D" from tip of pile.			



2008 Interim Design Standard

EDC INSTRUMENTATION FOR
 SQUARE PRESTRESSED CONCRETE PILES

Interim Date
 01/01/08

Sheet No.
 1 of 1

Index No.
 20602