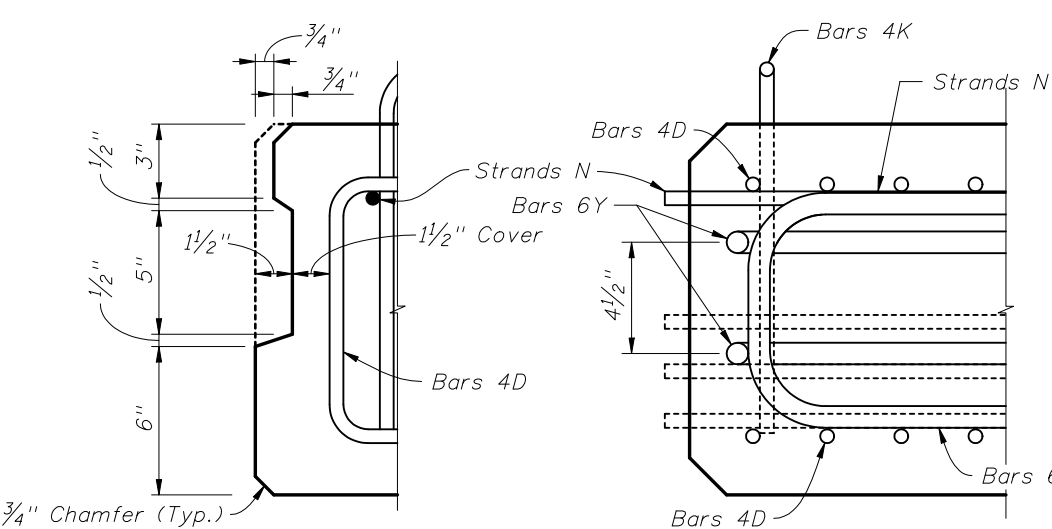
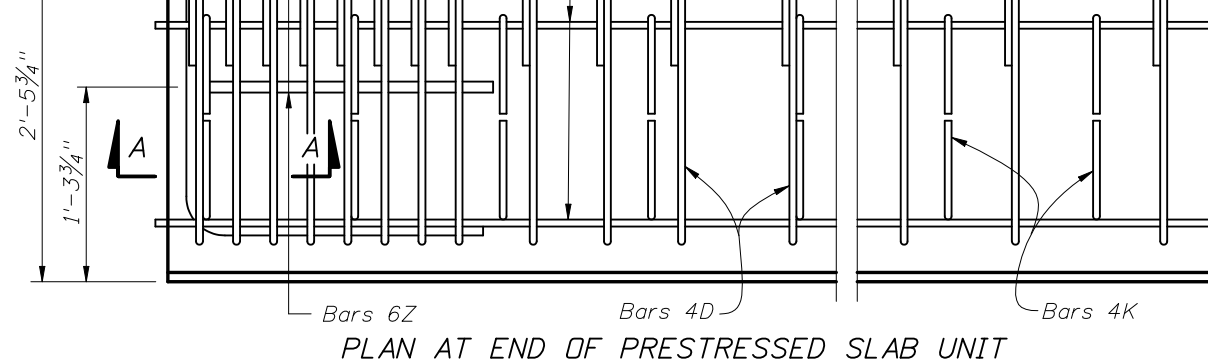


TYPICAL SECTION

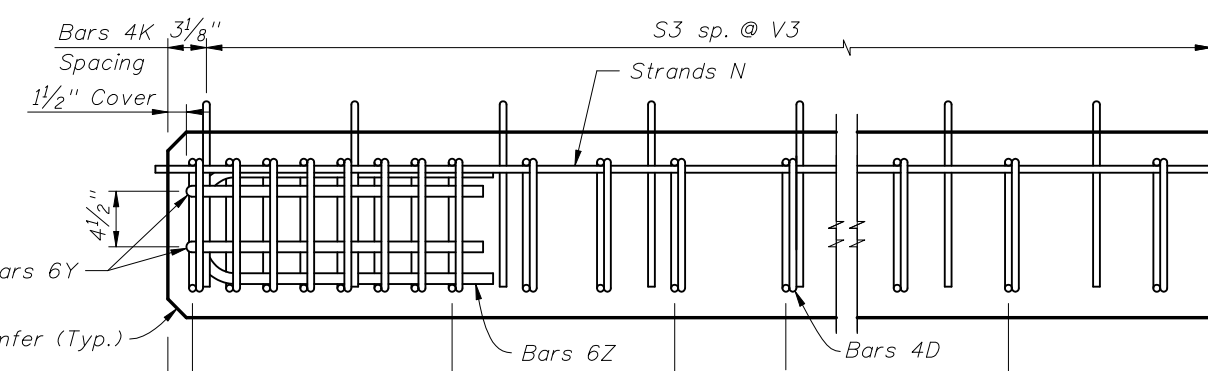


KEYWAY DETAIL

SECTION A-A



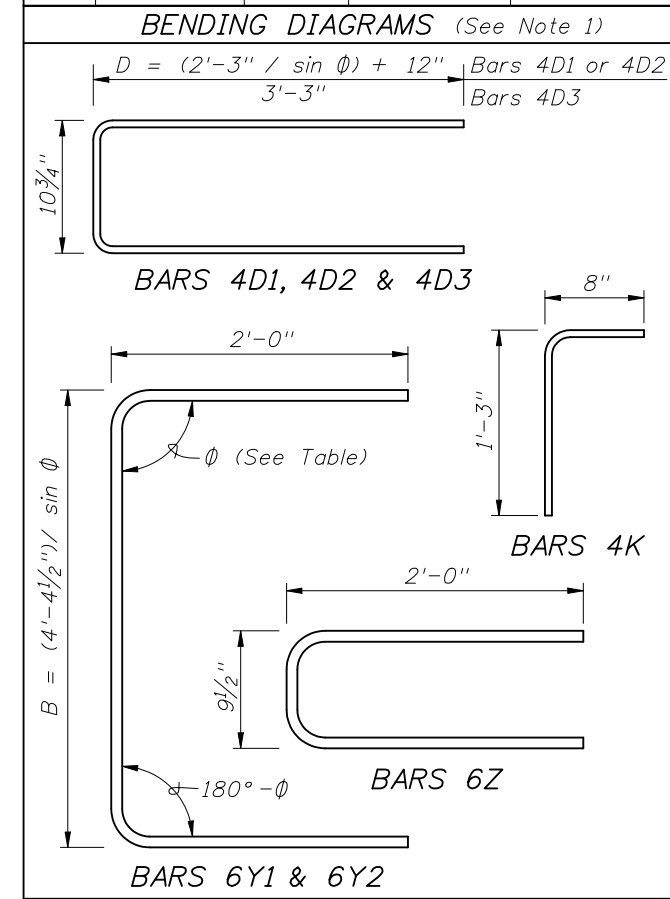
PLAN AT END OF PRESTRESSED SLAB UNIT



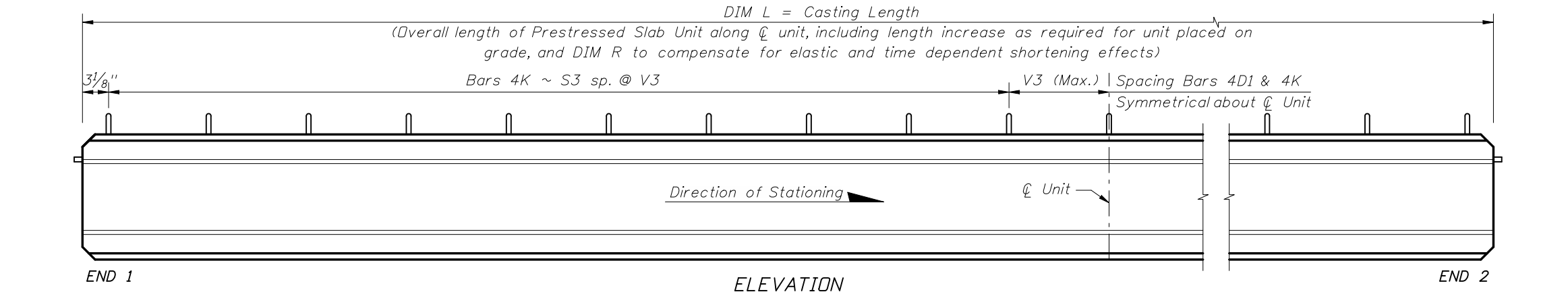
ELEVATION AT END OF PRESTRESSED SLAB UNIT

**BILL OF REINFORCING STEEL FOR ONE UNIT ONLY**

MARK	NOTE NUMBERS	SIZE	NUMBER REQUIRED	LENGTH (NOTE 1)
D1	4, 5, 10	4	20 (End 1)*	Varies
D2	4, 5, 10	4	20 (End 2)*	Varies
D3	5	4	See Table	7'-5"
K	4, 5	4	See Table	1'-11"
N	2, 8	3/8" $\phi$ Strands	4	Dim. L + 2"
Y1	4, 10	6	2 (End 1)	Varies
Y2	4, 10	6	2 (End 2)	Varies
Z	-	6	6	4'-10"



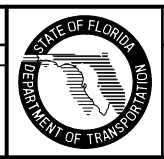
**NOTES:**  
 Work this Index with Index No. 20350 and Prestressed Standard Slab Units - Table of Variables in Structures Plans.  
 For referenced notes, see Index No. 20350.  
 For Dimensions B, D, L, R, V1 thru V3 and number of spaces S1 thru S3, see Prestressed Standard Slab Units - Table of Variables in Structures Plans.  
 \* See Note 4 for additional Bars 4D1 or 4D2 for skewed units.



ELEVATION

**REVISIONS**

DATE	BY	DESCRIPTION	DATE	BY	DESCRIPTION
01/01/09	TJB	New Design Standard			
07/01/09	RMS	Added Bars 4D3 & 6Y2; changed location of Bars 4D1 to End 1 & 4D2 to End 2.			



2008 Interim Design Standard  
**15"x60" PRESTRESSED SLAB UNIT**  
**- STANDARD DETAILS**

Interim Date	Sheet No.
07/01/09	1 of 1
Index No.	
<b>20365</b>	