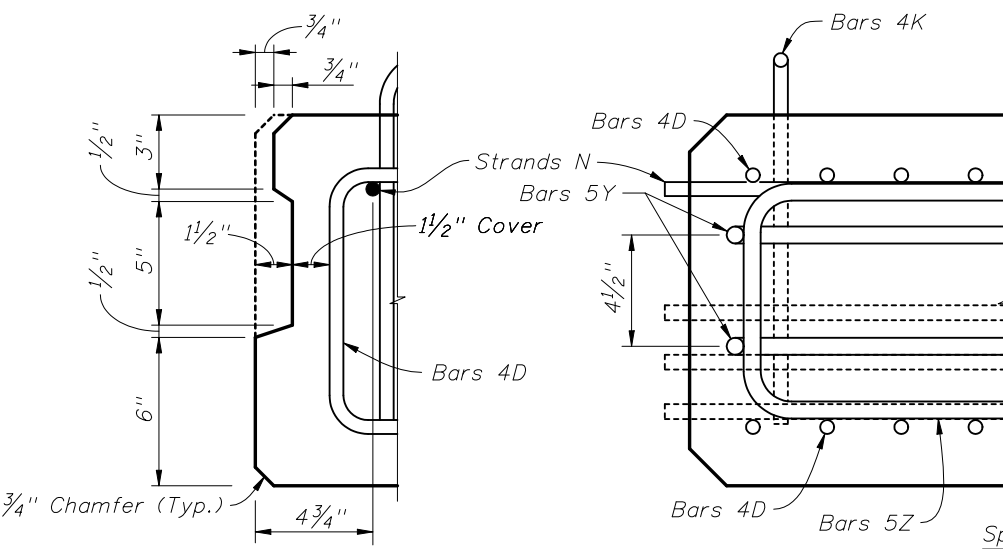
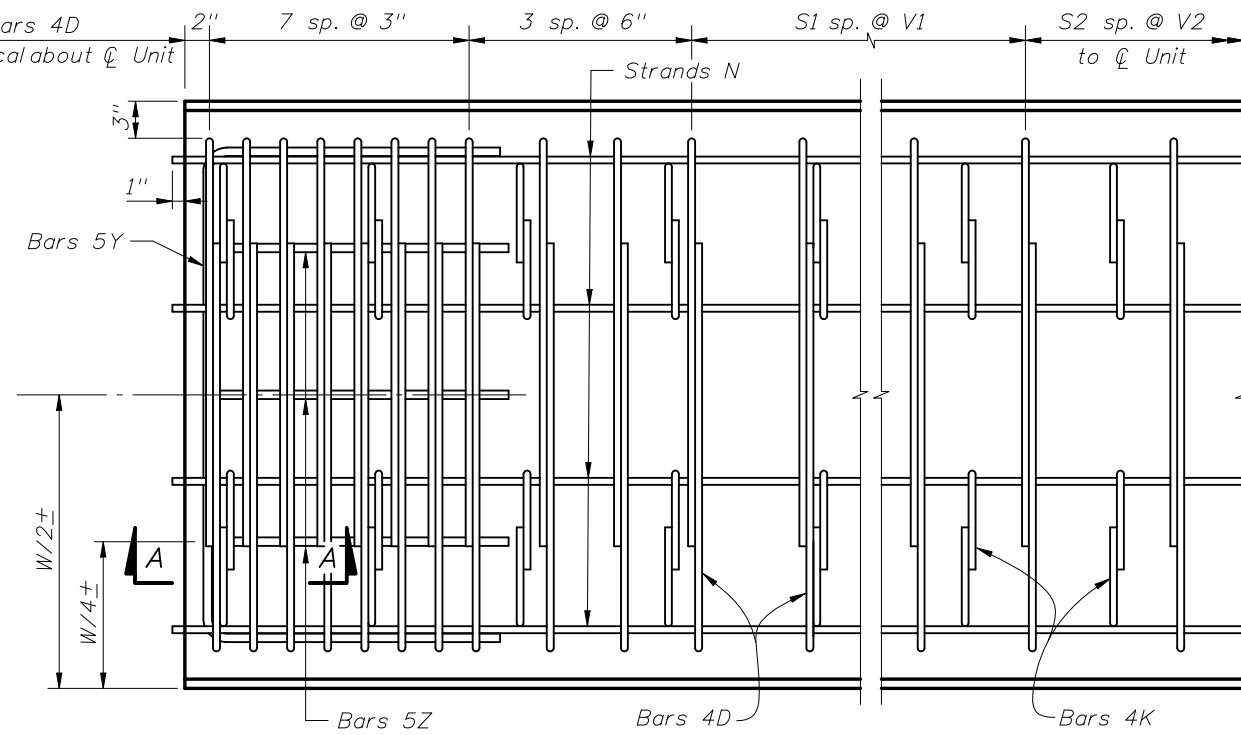


TYPICAL SECTION

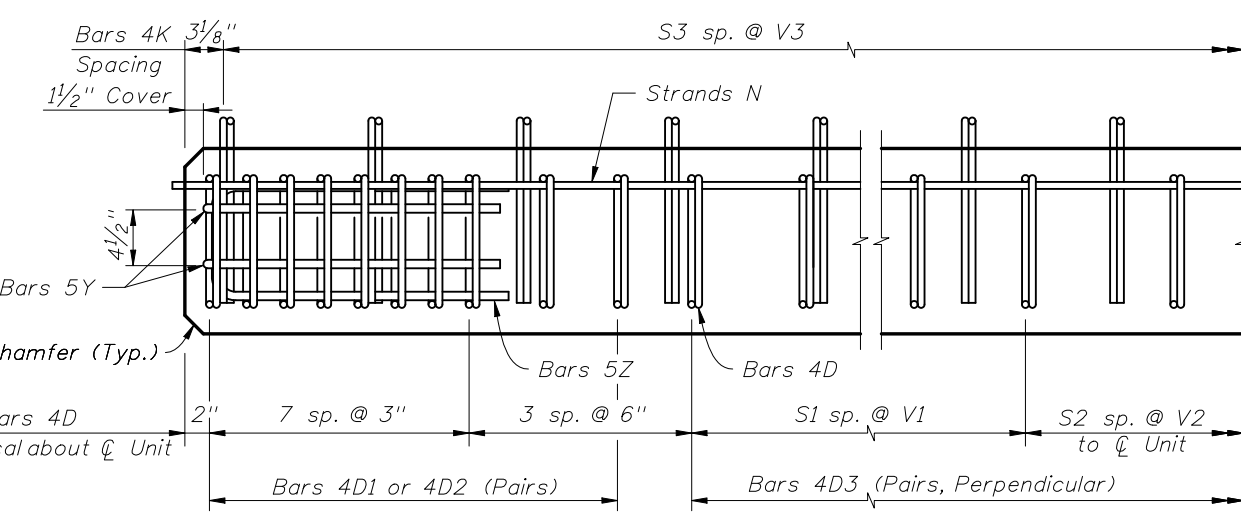


KEYWAY DETAIL

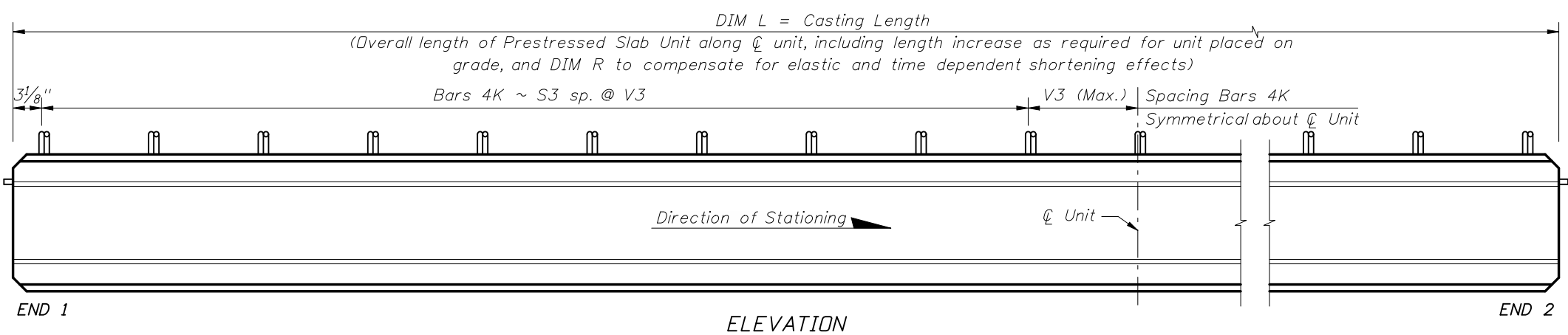
SECTION A-A



PLAN AT END OF PRESTRESSED SLAB UNIT



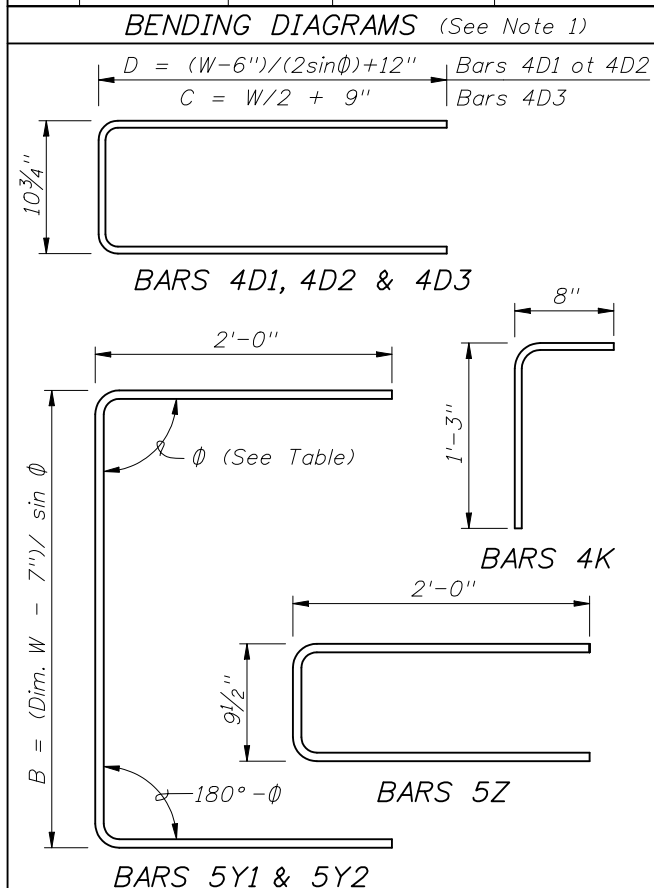
ELEVATION AT END OF PRESTRESSED SLAB UNIT



ELEVATION

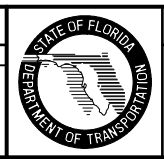
BILL OF REINFORCING STEEL FOR ONE UNIT ONLY

MARK	NOTE NUMBERS	SIZE	NUMBER REQUIRED	LENGTH (NOTE 1)
D1	4, 5, 10	4	20 (End 1)*	Varies
D2	4, 5, 10	4	20 (End 2)*	Varies
D3	5	4	See Table	Varies
K	4, 5	4	See Table	1'-11"
N	2, 8	3/8" ϕ Strands	4	Dim. L + 2"
Y1	4, 10	5	2 (End 1)	See Table
Y2	4, 10	5	2 (End 2)	See Table
Z	-	5	6	4'-10"



NOTES:
 Work this Index with Index No. 20350 and Prestressed Custom Width Slab Units - Table of Variables in Structures Plans.
 For referenced notes, see Index No. 20350.
 For Dimensions B, C, D, L, R, W, V1 thru V3 and number of spaces S1 thru S3, see Prestressed Custom Width Slab Units - Table of Variables in Structures Plans.
 * See Note 4 for additional Bars 4D1 or 4D2 for skewed units.

REVISIONS			
DATE	BY	DESCRIPTION	DATE
01/01/09	TJB	New Design Standard	
07/01/09	RMS	Added Bars 4D3 & 5Y2; changed location of Bars 4D1 to End 1 & 4D2 to End 2.	



2008 Interim Design Standard
15" CUSTOM WIDTH PRESTRESSED SLAB UNIT
- STANDARD DETAILS

Interim Date
 07/01/09
 Sheet No.
 1 of 1
 Index No.
20363