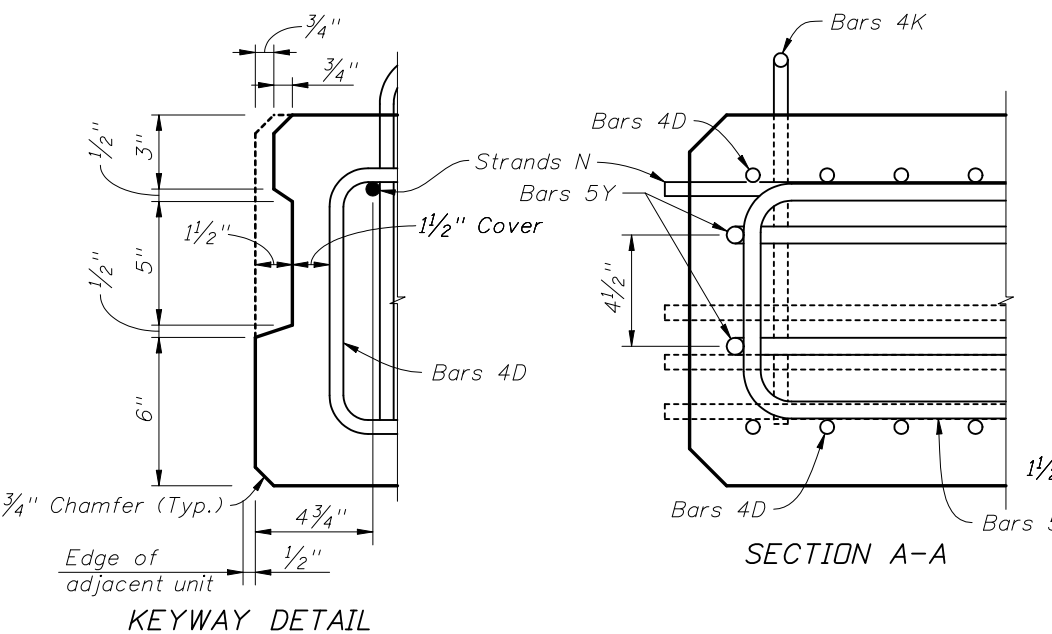
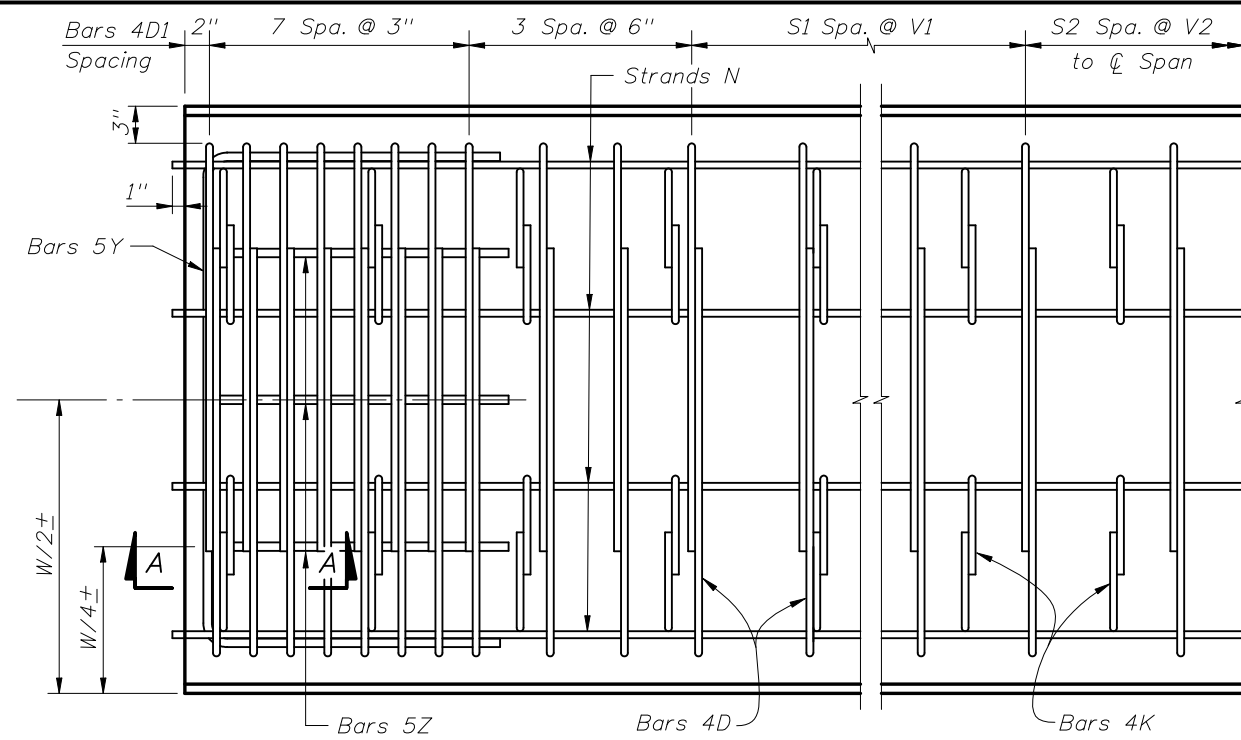


TYPICAL SECTION

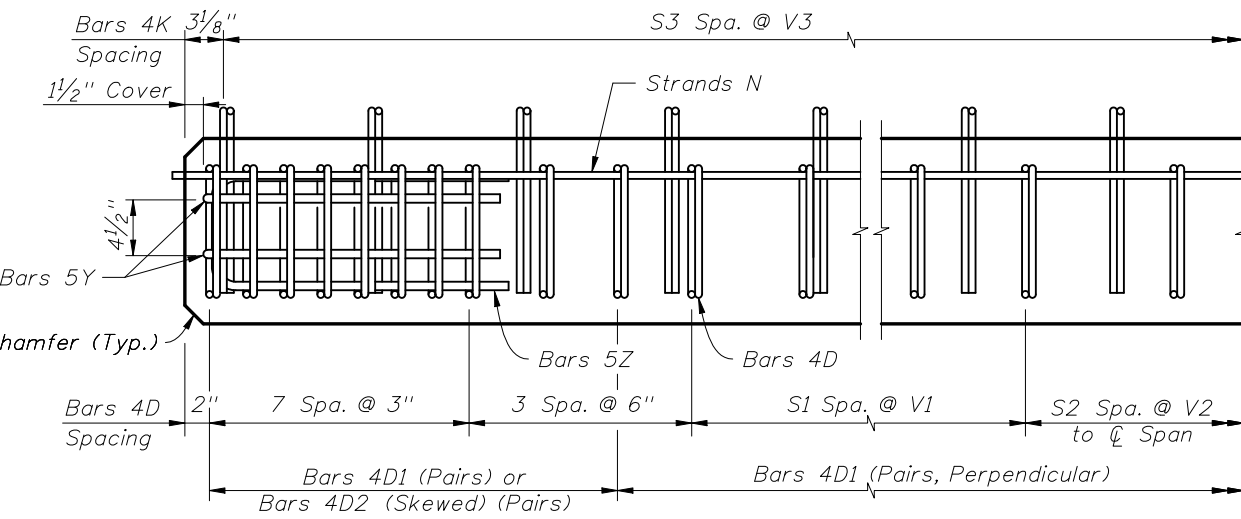


KEYWAY DETAIL

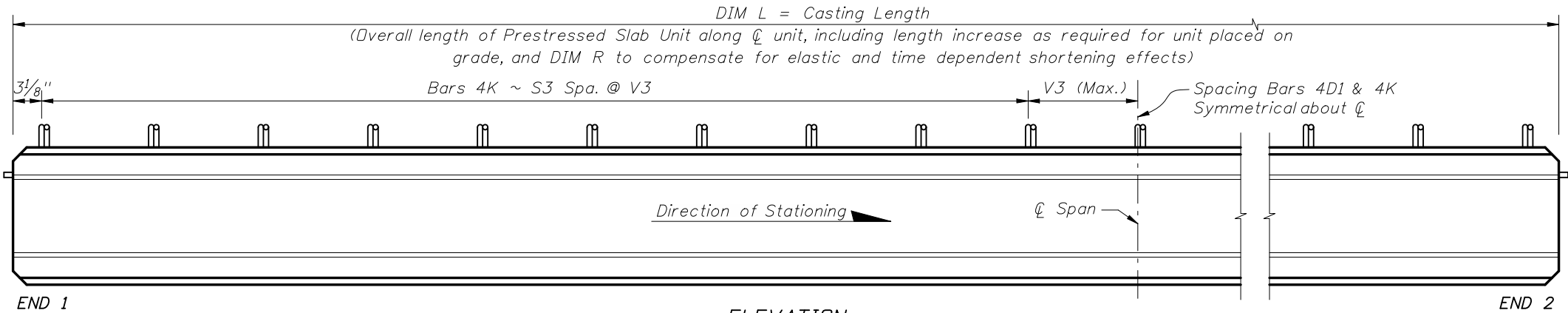
SECTION A-A



PLAN AT END OF PRESTRESSED SLAB UNIT



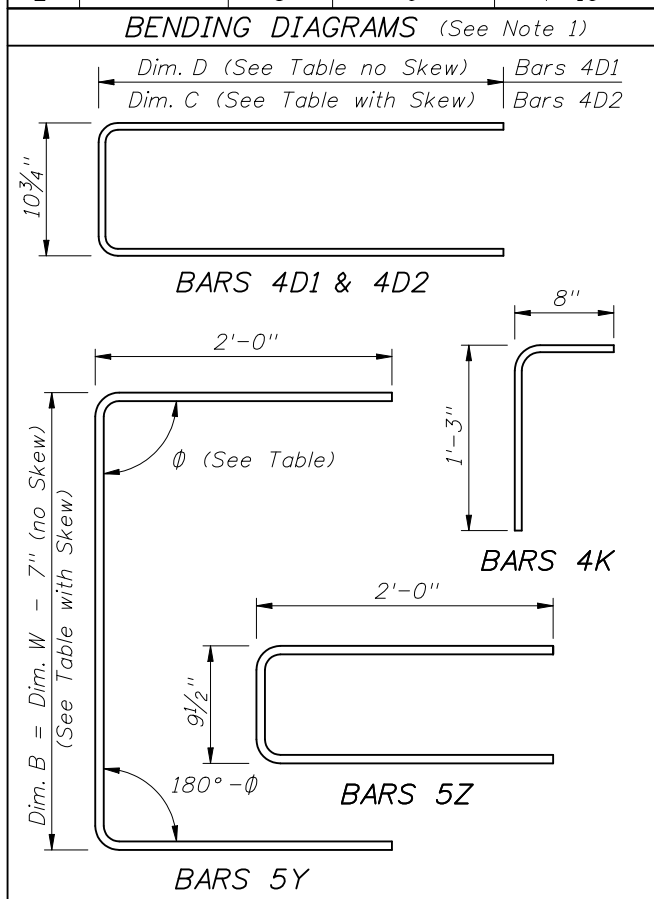
ELEVATION AT END OF PRESTRESSED SLAB UNIT



ELEVATION

**BILL OF REINFORCING STEEL FOR ONE UNIT ONLY**

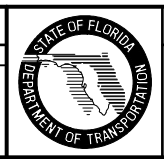
MARK	NOTE NUMBERS	SIZE	NUMBER REQUIRED	LENGTH (NOTE 1)
D1	5	4	See Table	See Table
D2	4, 5	4	40 *	See Table
Y	4	5	4	See Table
K	4, 5	4	See Table	1'-11"
N	2, 8	3/8" $\phi$ Strands	4	Dim. L + 2"
Z	-	5	6	4'-10"



NOTES:  
 Work this Index with Index No. 20350 and Prestressed Custom Width Slab Units - Table of Variables in Structures Plans.  
 For referenced notes, see Index No. 20350.  
 For Dimensions B, C, D, L, R, W, V1 thru V3 and number of spaces S1 thru S3, see Prestressed Slab Units - Table of Variables in Structures Plans.

\* See Note 4 for additional Bars 4D2 for skewed units.

REVISIONS			
DATE	BY	DESCRIPTION	DATE
01/01/09	TJB	New Design Standard	



2008 Interim Design Standard  
**15" CUSTOM WIDTH PRESTRESSED SLAB UNIT**  
 STANDARD DETAILS

Interim Date: 01/01/09  
 Sheet No.: 1 of 1  
 Index No.: **20363**