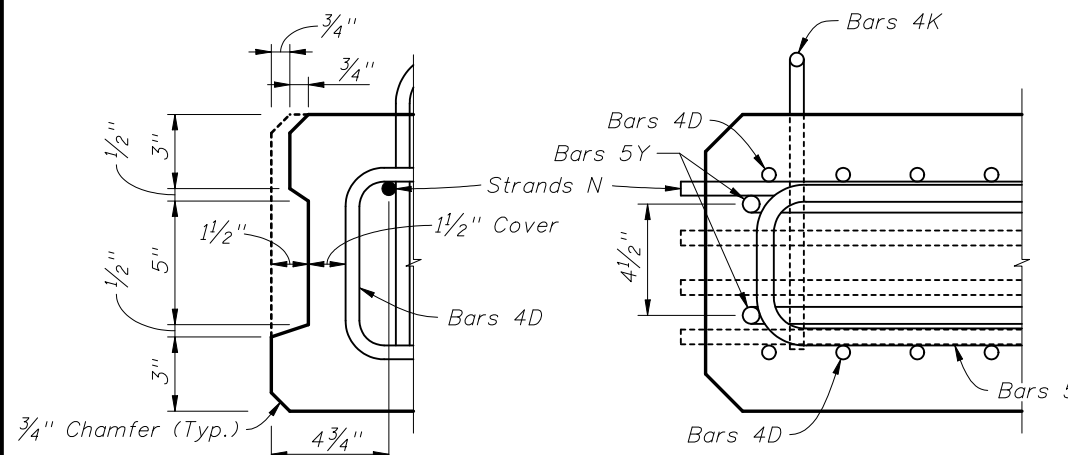
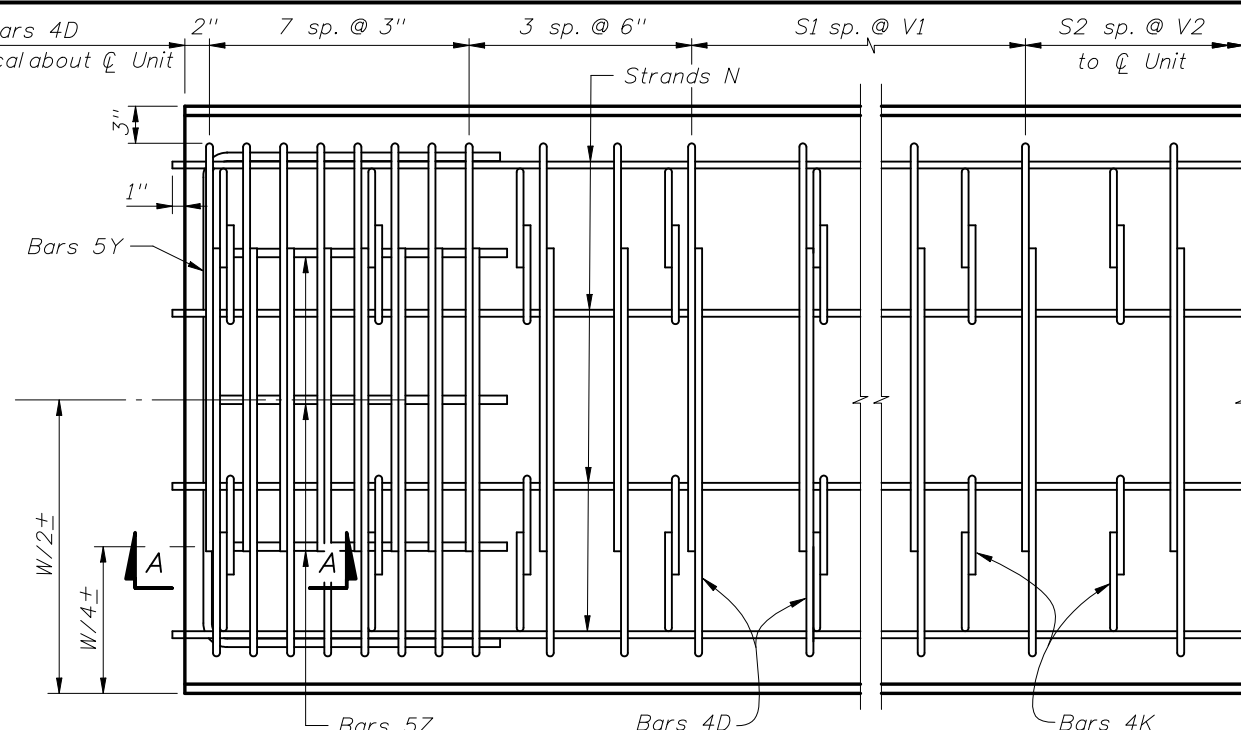


TYPICAL SECTION

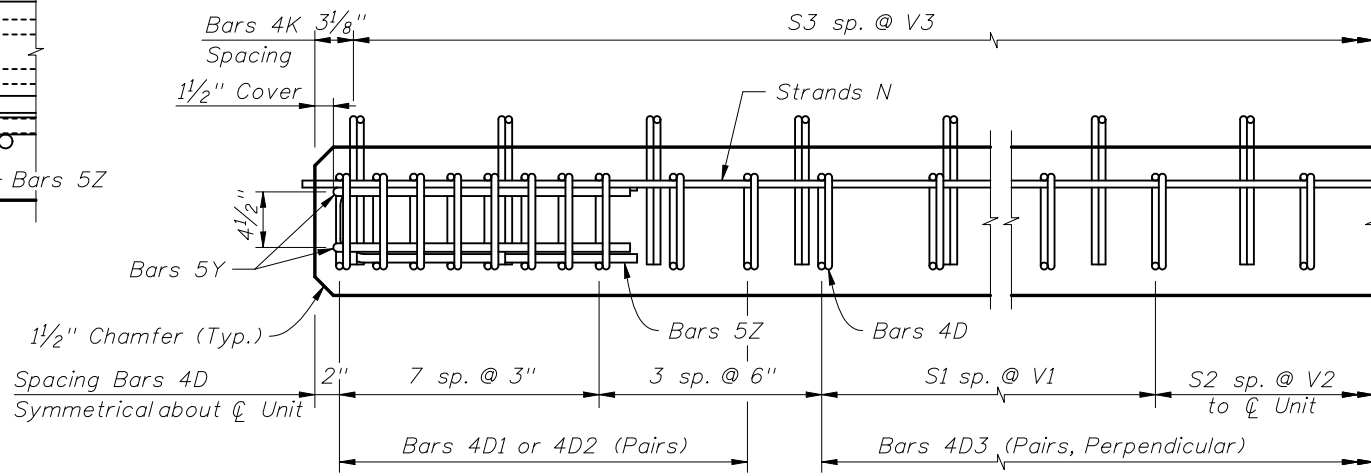


KEYWAY DETAIL

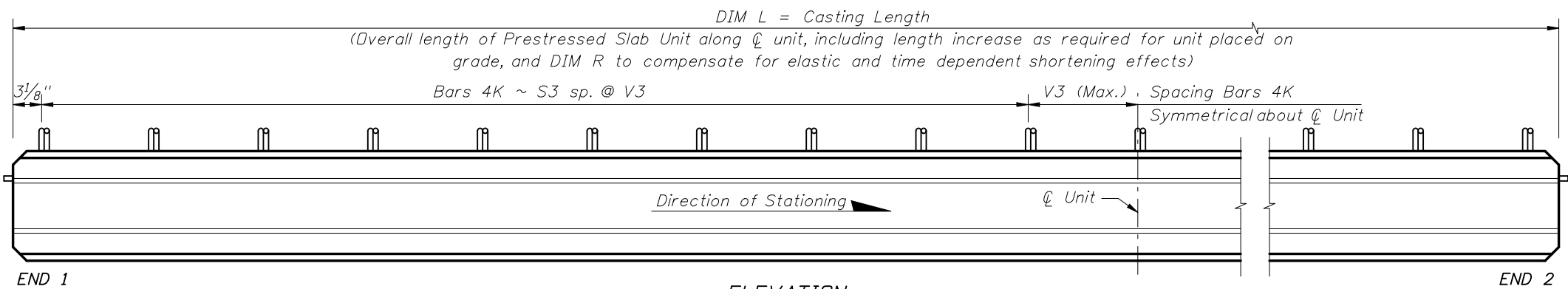
SECTION A-A



PLAN AT END OF PRESTRESSED SLAB UNIT



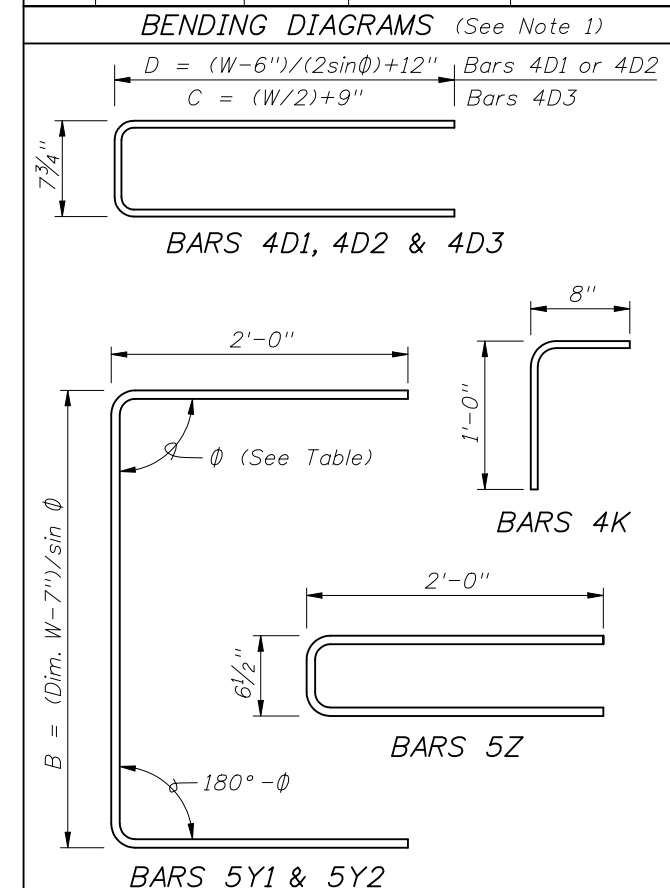
ELEVATION AT END OF PRESTRESSED SLAB UNIT



ELEVATION

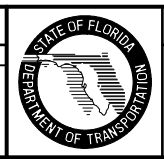
BILL OF REINFORCING STEEL FOR ONE UNIT ONLY

| MARK | NOTE NUMBERS | SIZE | NUMBER REQUIRED | LENGTH (NOTE 1) |
|------|--------------|---------------------|-----------------|-----------------|
| D1 | 4, 5, 10 | 4 | 20 (End 1)* | Varies |
| D2 | 4, 5, 10 | 4 | 20 (End 2)* | Varies |
| D3 | 5 | 4 | See Table | Varies |
| K | 4, 5 | 4 | See Table | 1'-8" |
| N | 2, 8 | 3/8" ϕ Strands | 4 | Dim. L + 2" |
| Y1 | 4, 10 | 5 | 2 (End 1) | Varies |
| Y2 | 4, 10 | 5 | 2 (End 2) | Varies |
| Z | - | 5 | 6 | 4'-7" |



NOTES:
 Work this Index with Index No. 20350 and Prestressed Custom Width Slab Units - Table of Variables in Structures Plans.
 For referenced notes, see Index No. 20350.
 For Dimensions B, C, D, L, R, W, V1 thru V3 and number of spaces S1 thru S3, see Prestressed Custom Width Slab Units - Table of Variables in Structures Plans.
 * See Note 4 for additional Bars 4D1 or 4D2 for skewed units.

| REVISIONS | | | |
|-----------|-----|---|--|
| DATE | BY | DESCRIPTION | |
| 01/01/09 | TJB | New Design Standard | |
| 07/01/09 | RMS | Added Bars 4D3 & 5Y2; changed location of Bars 4D1 to End 1 & 4D2 to End 2. | |



2008 Interim Design Standard
12" CUSTOM WIDTH PRESTRESSED SLAB UNIT
 - STANDARD DETAILS

Interim Date: 07/01/09
 Sheet No.: 1 of 1
 Index No.: **20353**