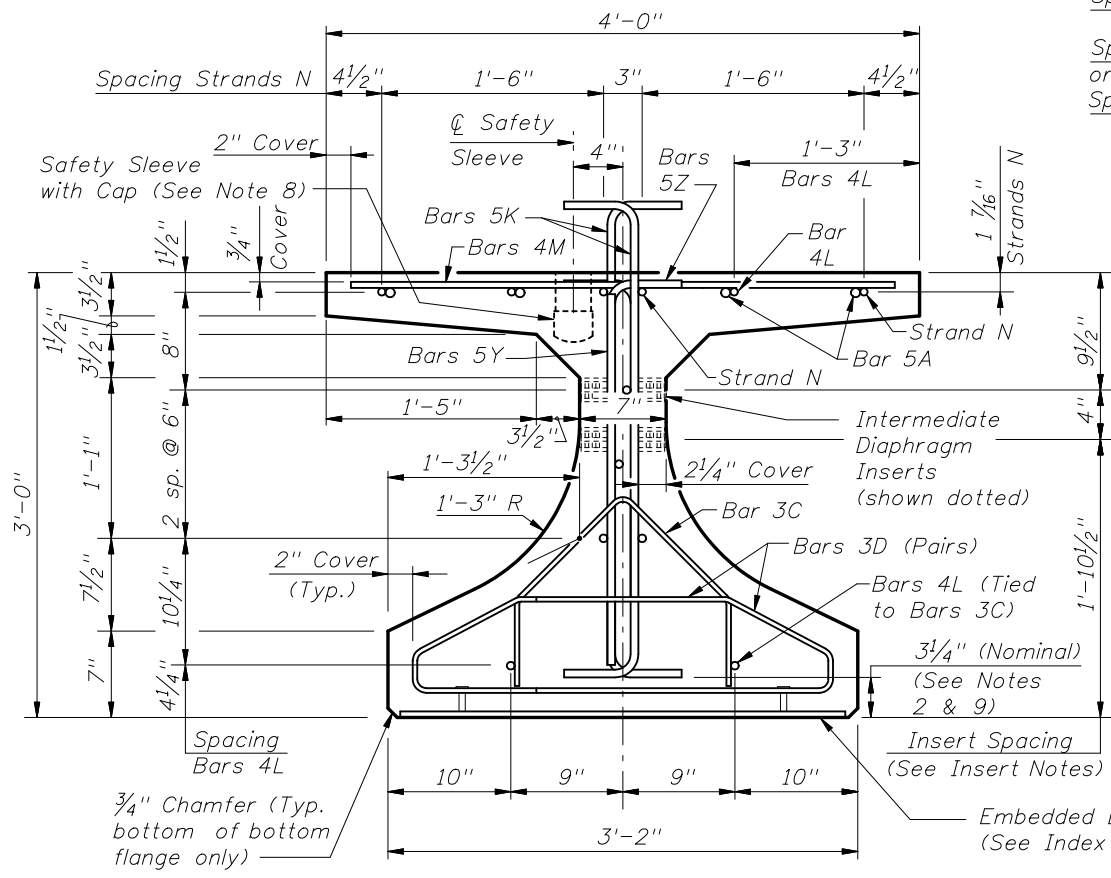
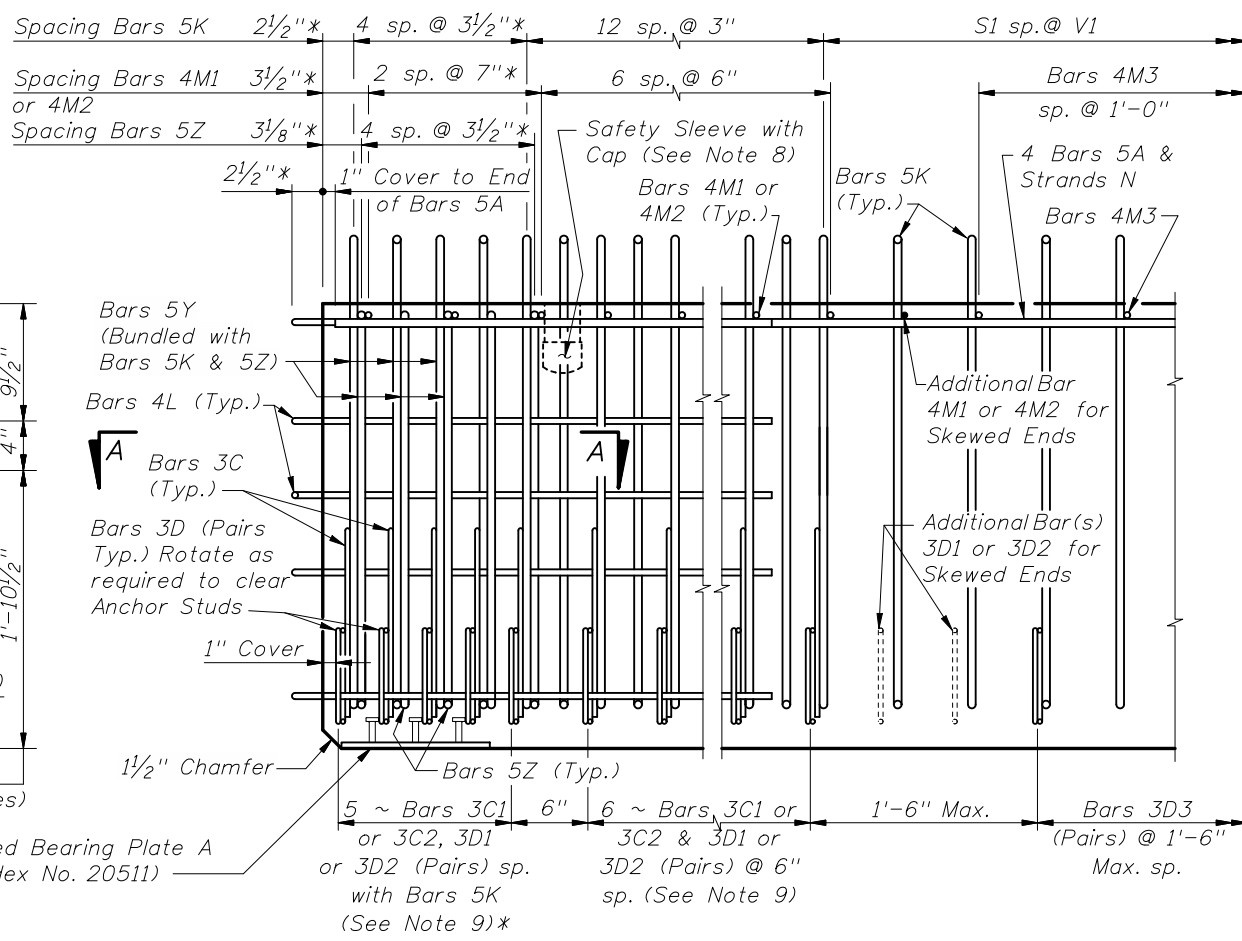


\* These dimensions are measured perpendicular to the end of beam



END VIEW



ELEVATION AT END OF BEAM  
(Flanges Not Shown For Clarity)  
(End 1 Shown, End 2 Similar)

### CONVENTIONAL REINFORCING BAR BENDING DETAILS

BILL OF REINFORCING STEEL				
MARK	NOTE NUMBERS	SIZE	NUMBER REQUIRED	LENGTH (NOTE 1)
A	—	5	8	16'-0"
C1	9, 10 & 11	3	11 (End 1)	Varies
C2	9, 10 & 11	3	11 (End 2)	Varies
D1	9, 10, 11 & 14	3	22 (End 1)	Varies
D2	9, 10, 11 & 14	3	22 (End 2)	Varies
D3	9 & 14	3	See Table	4'-3"
K	2, 9, 11 & 13	5	See Table	4'-2"
L	3 & 4	4	16	4'-10"
M1	9 & 10	4	9 (End 1)	Varies
M2	9 & 10	4	9 (End 2)	Varies
M3	9	4	See Table	3'-8"
N	5	3/8" $\phi$ Strand	4	DIM L+5"
Y	9 & 11	5	12	2'-6"
Z	2, 9, 11 & 13	5	10	3'-8"

#### BENDING DIAGRAMS (See Note 1)

**BARS 3D1, 3D2 & 3D3**

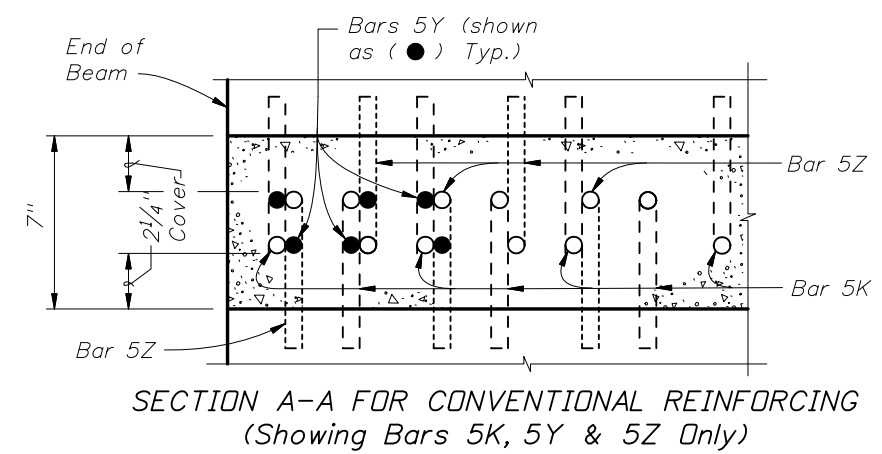
**BARS 5K & 5Z**

**BARS 3C1 & 3C2**

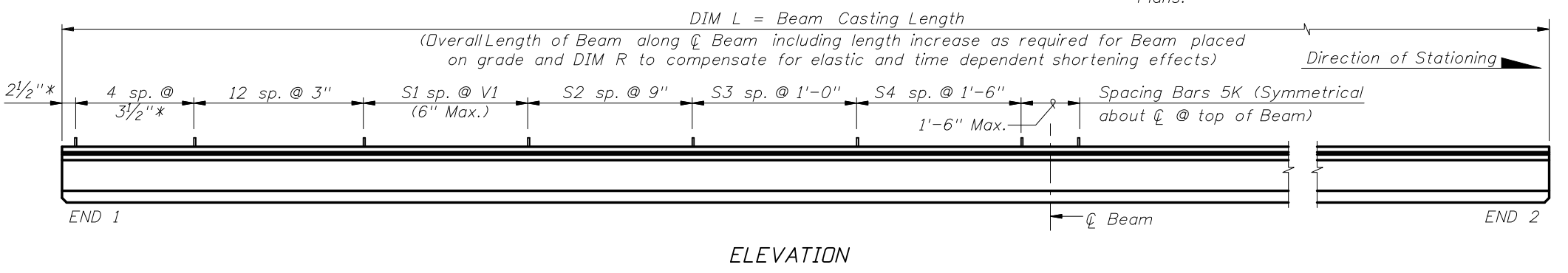
**BARS 4L**

**BARS 5A, 4M1, 4M2, 4M3 & 5Y**

NOTES:  
 A. Work this Index with Index No. 20010 - Typical Florida-I Beam Details and Notes and the Florida-I Beam - Table of Beam Variables in Structures Plans.  
 B. For referenced notes, see Index No. 20010.  
 C. For Dimensions A, B, C, D, L, R & V1 and number of spaces S1 thru S4, see Florida-I Beam - Table of Beam Variables in Structures Plans.

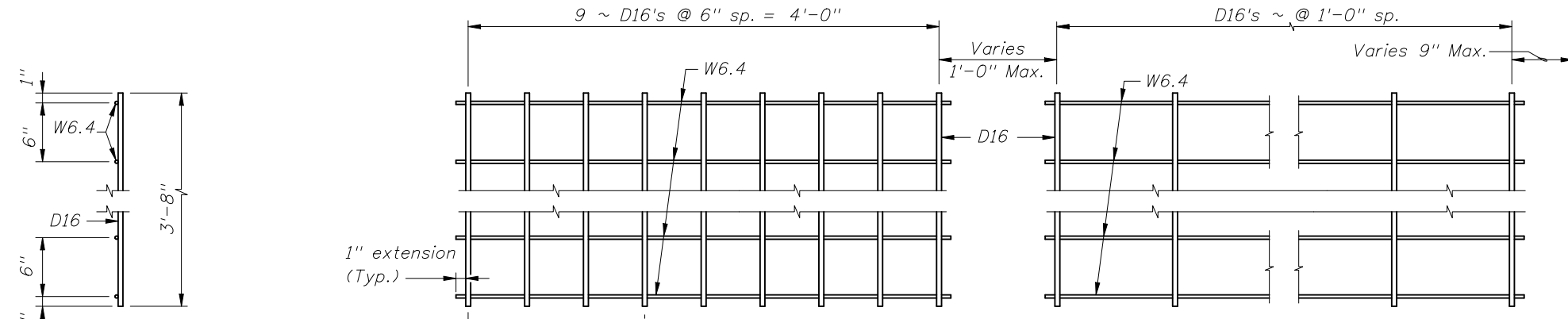


SECTION A-A FOR CONVENTIONAL REINFORCING  
(Showing Bars 5K, 5Y & 5Z Only)

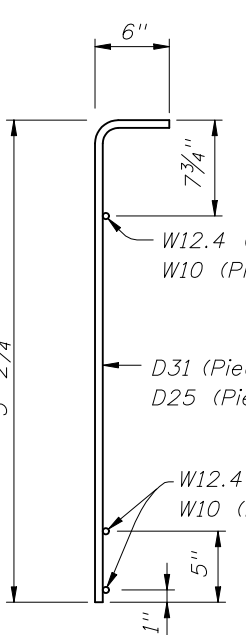


ELEVATION

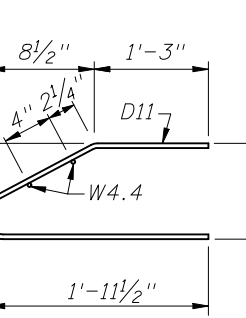
ALTERNATE REINFORCING STEEL (WELDED WIRE REINFORCEMENT) DETAILS



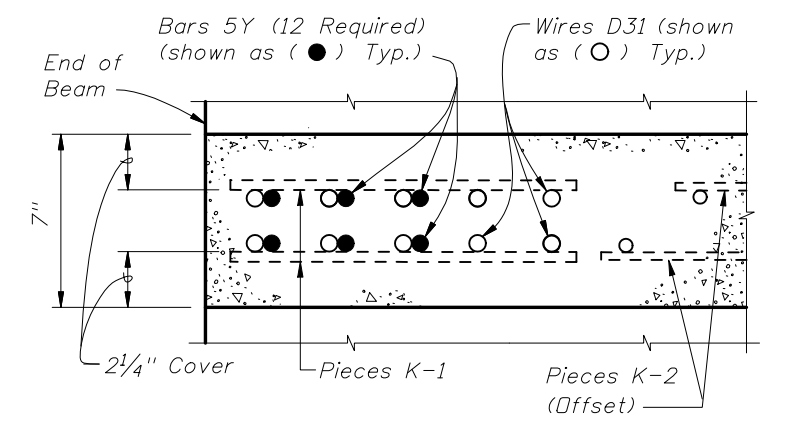
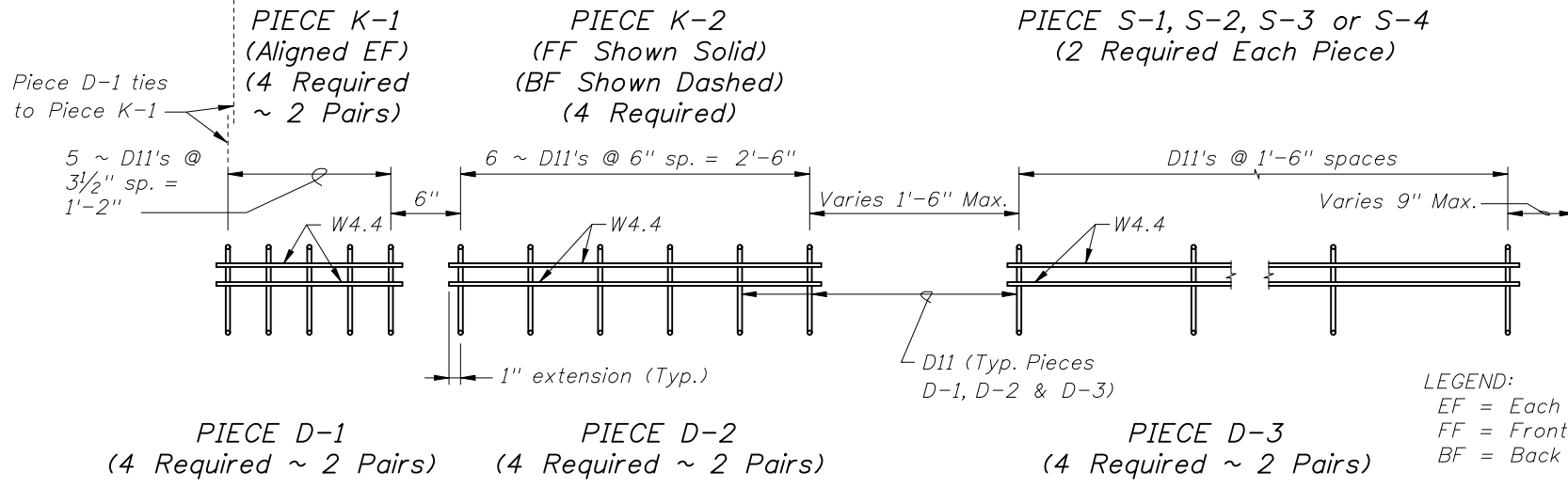
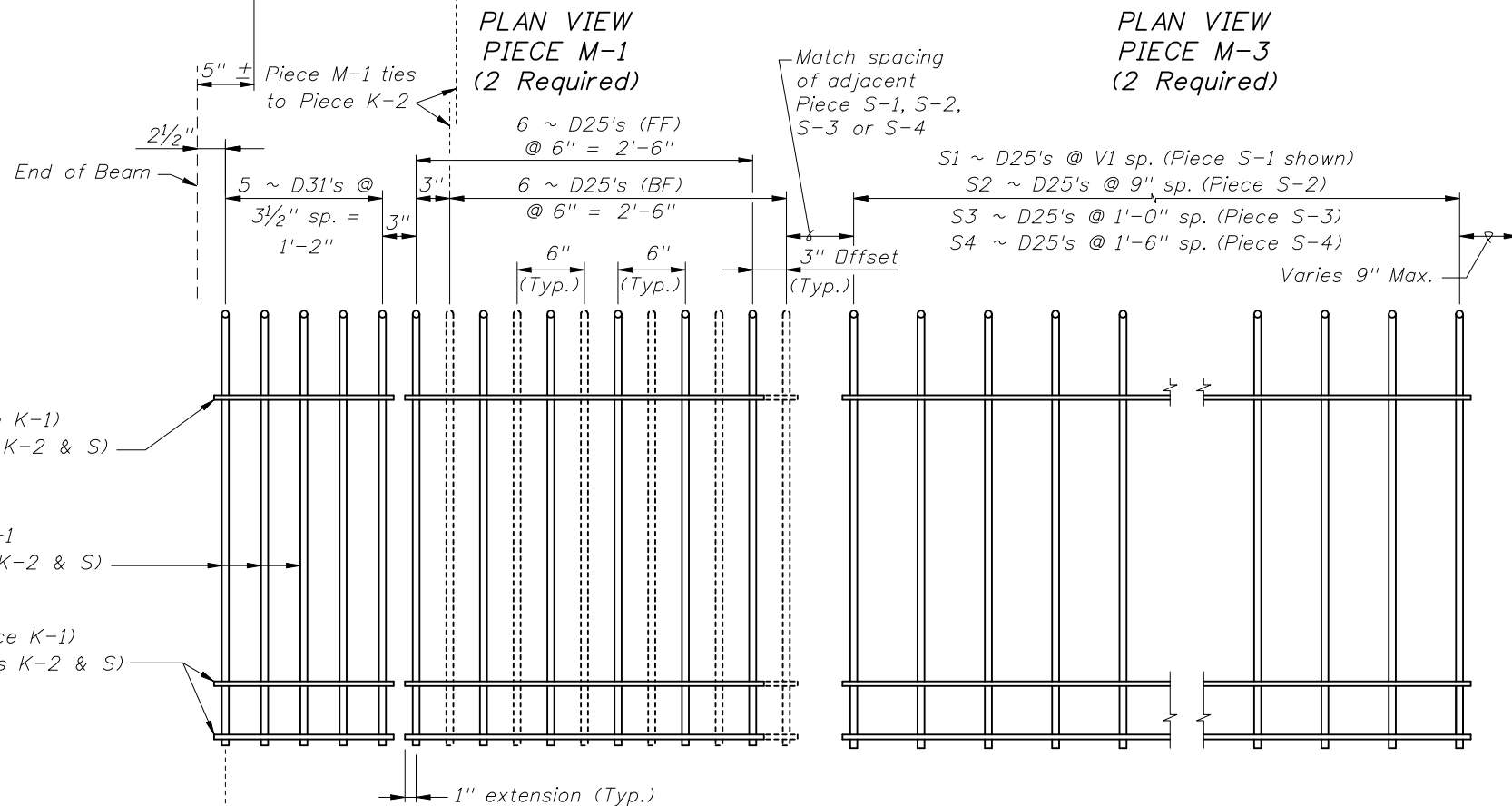
PIECES M END VIEW



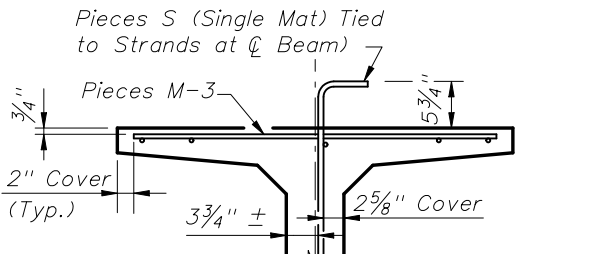
PIECES K & S END VIEW



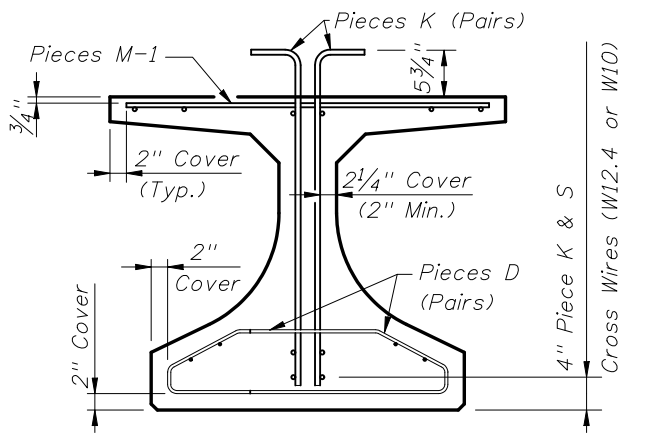
PIECES D END VIEW



SECTION A-A FOR WELDED WIRE REINFORCEMENT



PARTIAL SECTION AT CENTER BEAM



PARTIAL BEAM END VIEW (Conventional Reinforcing Bars A, C, L, Y and Strands not Shown for Clarity)

- NOTES:
- See Sheet 1 for placement details & Table of Beam Variables in Structures Plans for variables S1, S2, S3, S4 & V1.
  - Place Conventional Reinforcing Bars 5A, 3C & 4L as shown on Sheet 1. Place additional Bars 5Y as shown in Section A-A for Welded Wire Reinforcement. Bars 5Z will not be used with the WWR Option.
  - Pieces may be fabricated in multiple length sections.
  - For beams with skewed end conditions, Pieces D-1, D-2 & M-1 shall not be used; Conventional Reinforcing Bars D1, D2, C1, C2, M1 & M2 shall be used. See Index No. 20010 Skew Details and Note 9 for placement details. Shift Pieces K & Bars 5Y to accommodate skewed end conditions and align with Bars C and D.

LEGEND:  
 EF = Each Face  
 FF = Front Face  
 BF = Back Face

REVISIONS			
DATE	BY	DESCRIPTION	
07/01/09	RMS	New Design Standard	

