

FIGURE A
POLE MOUNTED
DETECTOR STATION

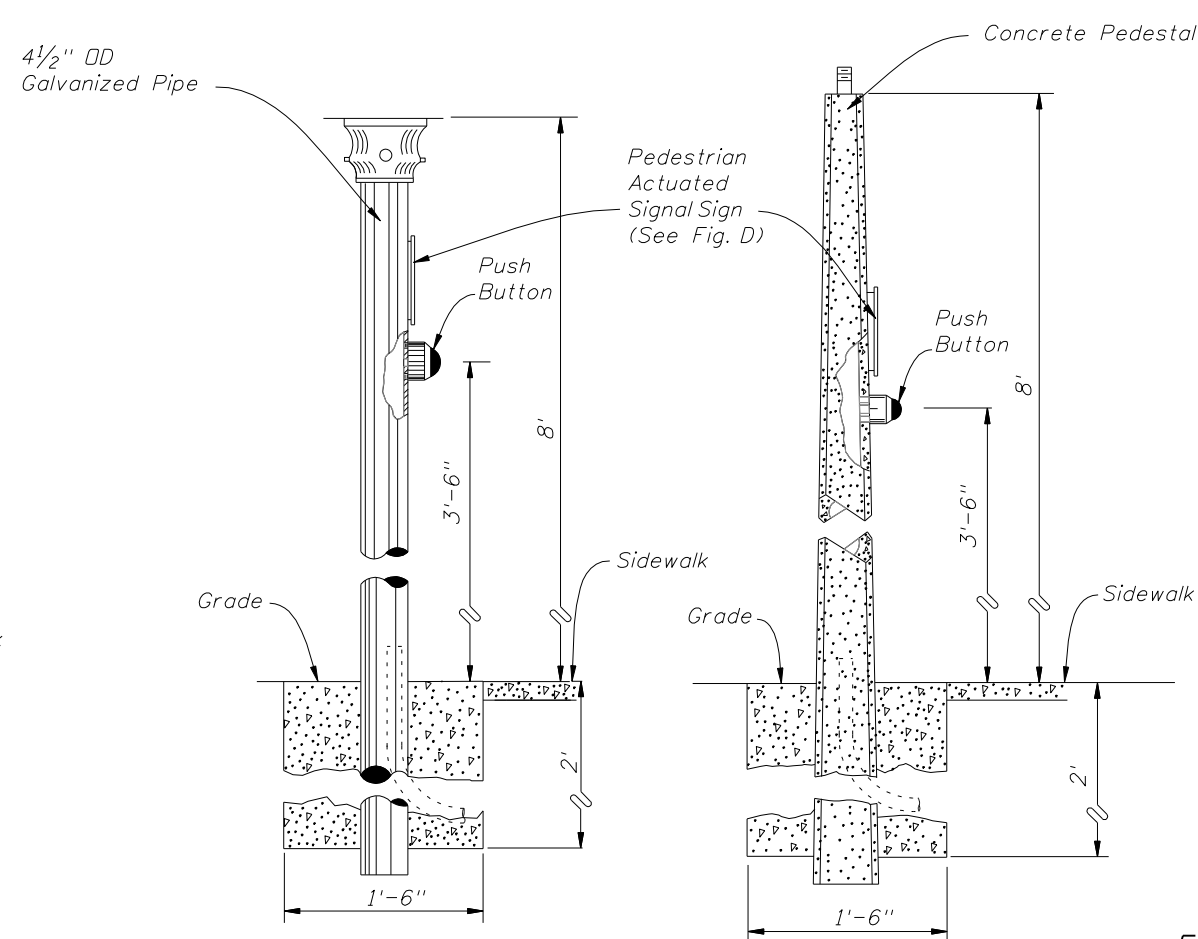


FIGURE B
PEDESTAL STATION
DETECTOR STATION

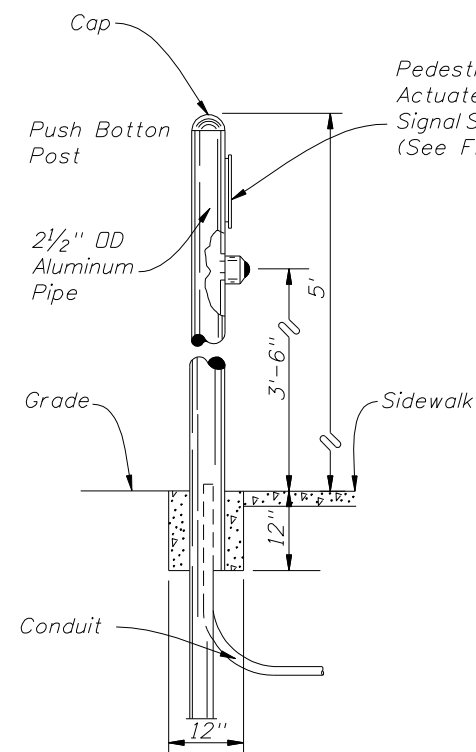
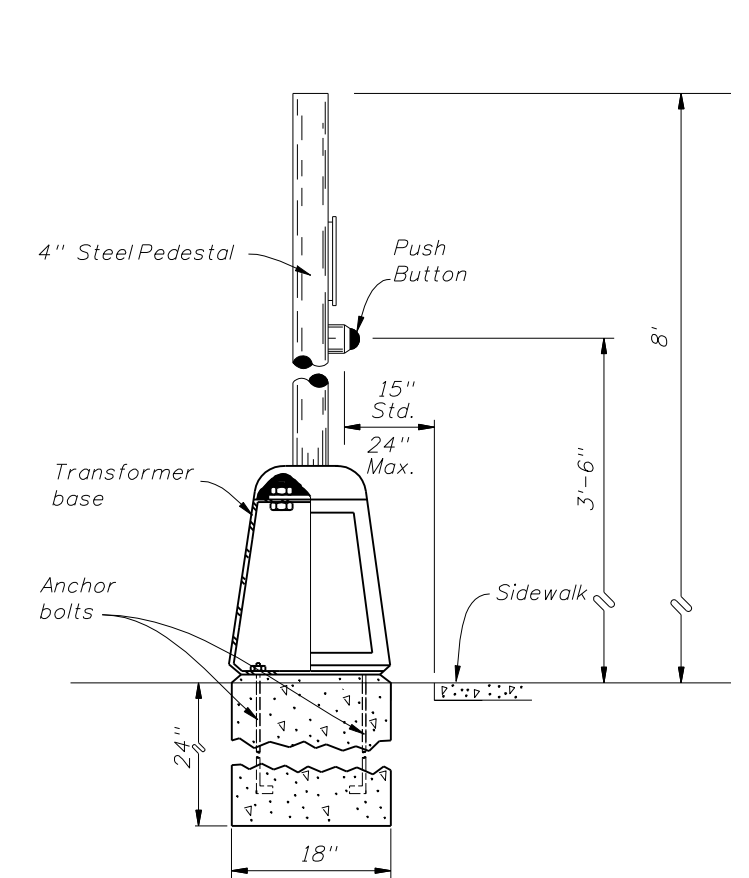


FIGURE C
POST DETECTOR STATION
DETECTOR STATION

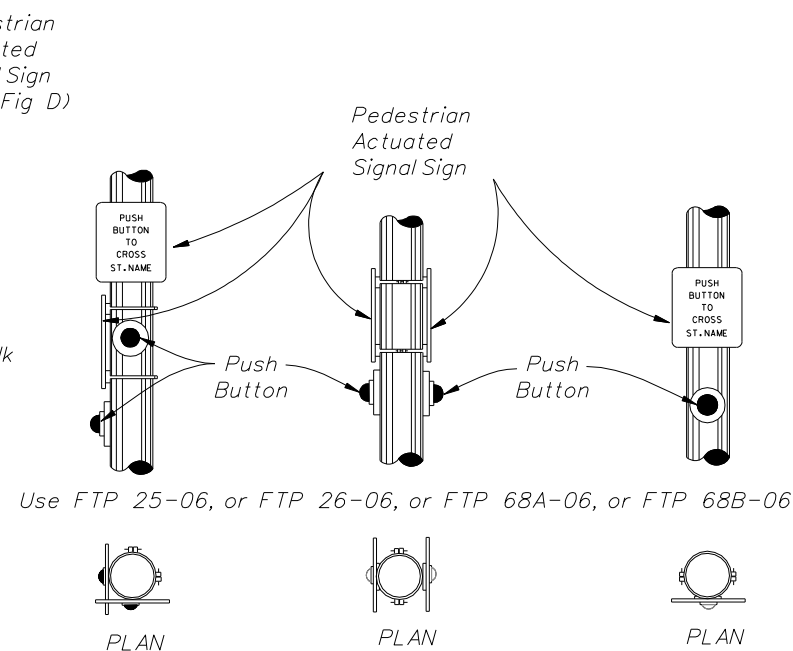


FIGURE D

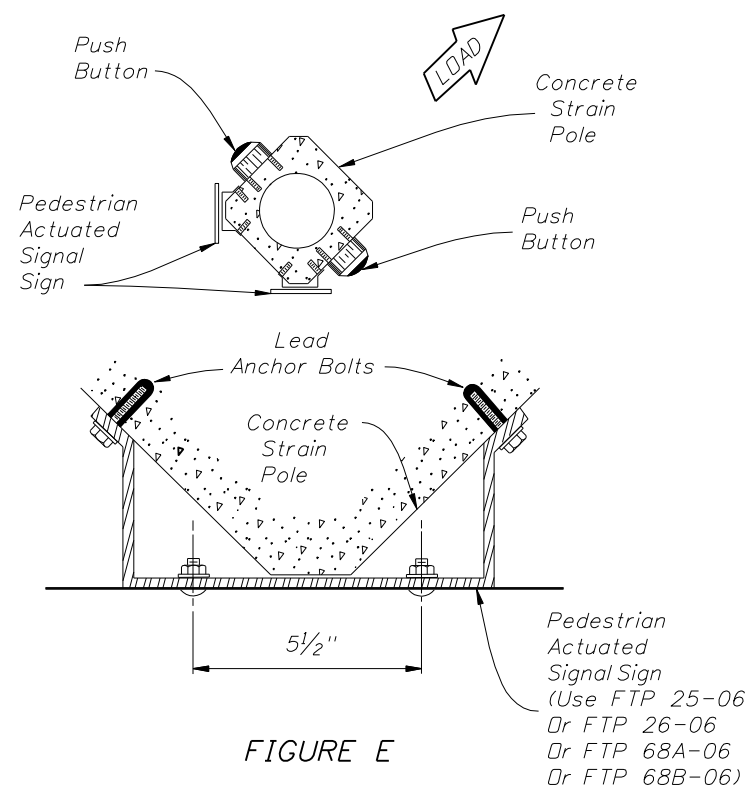


FIGURE E

Notes:

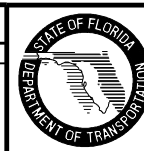
1. Signs shall be mounted above detectors, explaining their purpose and use.
2. The positioning of pedestrian push button should clearly indicate which crosswalk signal is actuated by each push button.
3. Push buttons and signs are to be mounted in accordance with Standard Specifications, section 665.
4. Meet all grounding requirements of Section 620 of the Standard Specifications.
5. A 30"X48" landing is required centered on each push button.

Note To Designers:

The designer should ensure the distance to the Push Button in Figure A & B is maintained. This distance can vary depending on post or pedestal type or whether a frangible base is used and sidewalk configuration. This is specified to meet Americans with Disabilities Act.

REVISIONS

DATE	BY	DESCRIPTION	DATE	BY	DESCRIPTION
01/01/08	C.H.	Dimensions revised on Figures A & B.			
01/01/08	C.H.	Dimensions revised on Figures A & B. Note 5 revised and Note to Designers revised.			



2008 Interim Design Standard

**PEDESTRIAN DETECTOR
ASSEMBLY INSTALLATION DETAILS**

Interim Date	Sheet No.
01/01/09	1 of 2
Index No.	
17784	