

SIGN LIGHTING INSTALLATION

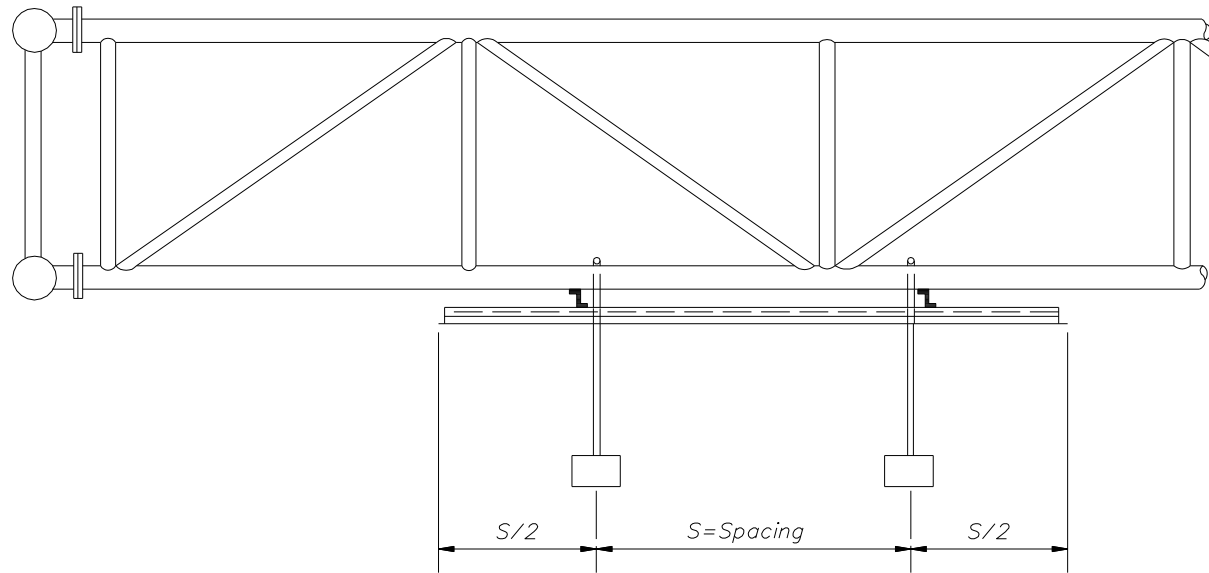
Roadway Lighting included in contract:

The power for the sign lighting shall be provided from the roadway lighting circuit. The lighting plans shall indicate the sign location and a pull box location for connection to the sign lights. The lighting contractor shall install pull box and loop 2' of lighting circuit conductors in the pull box for connection by the signing contractor.

The signing contractor shall furnish and install luminaires, Nema 3R enclosure, 30 amp breaker, conduit, conductors and all other electrical equipment necessary for connection to the lighting circuit.

Roadway Lighting not included in contract:

The signing plans shall include pay item numbers to furnish and install conduit, conductors, ground rods, pull boxes and service point equipment. The signing plans shall indicate the location of the service point equipment and circuit runs. The signing contractor shall provide all electrical equipment necessary for connection of the sign lights.

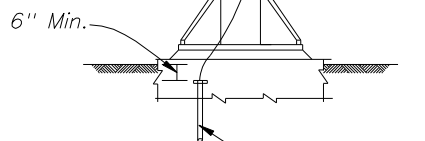
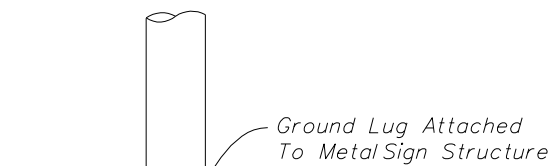
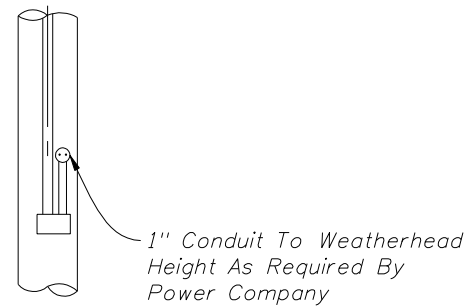
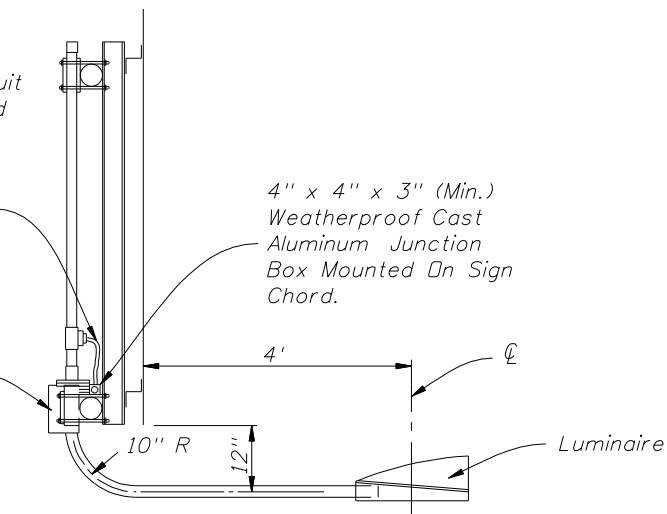


PLACEMENT OF SIGN LIGHTS

1. Luminaire shall be mounted so the lamp center is 4' in front of the sign face.
2. Luminaire shall be mounted so the back of the fixture is placed 1' below the bottom edge of the sign face.
3. Luminaires from manufacturers who recommended their fixture be tilted shall be mounted on a bracket which provides this recommended tilt.
4. Photometric data for the Induction luminaire proposed for sign lighting shall be submitted for approval to the District Lighting Engineer, Florida Department Of Transportation.

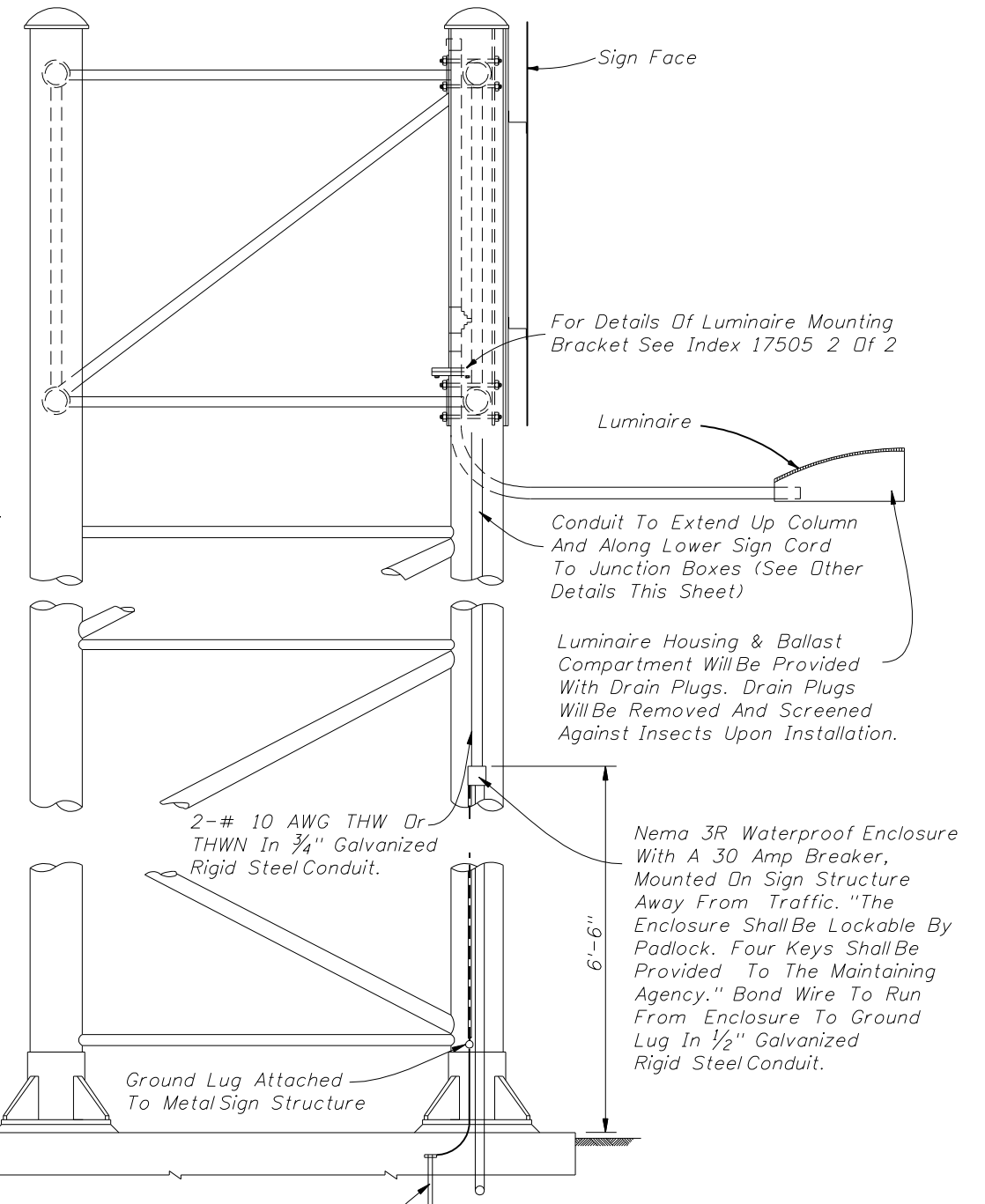
Use 3/4" Liquid Tight Flexible Conduit From Junction Box To Ballast And From Junction Box To Tee In Luminaire Bracket. Conduit Shall Be Of Sufficient Length To Allow Rotation Of Luminaire Bracket 90 In Either Direction.

Ballast Shall Be Mounted To Sign Chord With Stainless Steel Band. Bracket For Ballast To Be Fabricated From Galvanized Steel Plate For Steel Sign Structures And Aluminum Plate For Aluminum Sign Structures. (Submittal Data Required)



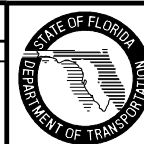
PLAN
OVERHEAD POWER SUPPLY

U.L. Approved Ground Rod 5/8" x 20' Copper Clad With Approved Ground Connection To Be Placed In Pull Box For Inspection Purposes. Splices To Be Made With Compression Sleeves Then Properly Insulated & waterproofed



REVISIONS

DATE	BY	DESCRIPTION	DATE	BY	DESCRIPTION
11/05/08	C.H.	Mercury Vapor Luminaires changed to Induction Luminaires. Luminaire Chart Deleted, dimensions revised on spacing detail note added to structure detail.			



2008 Interim Design Standard

EXTERNAL LIGHTING FOR SIGNS

Interim Date	Sheet No.
01/01/09	1 of 2
Index No.	
17505	