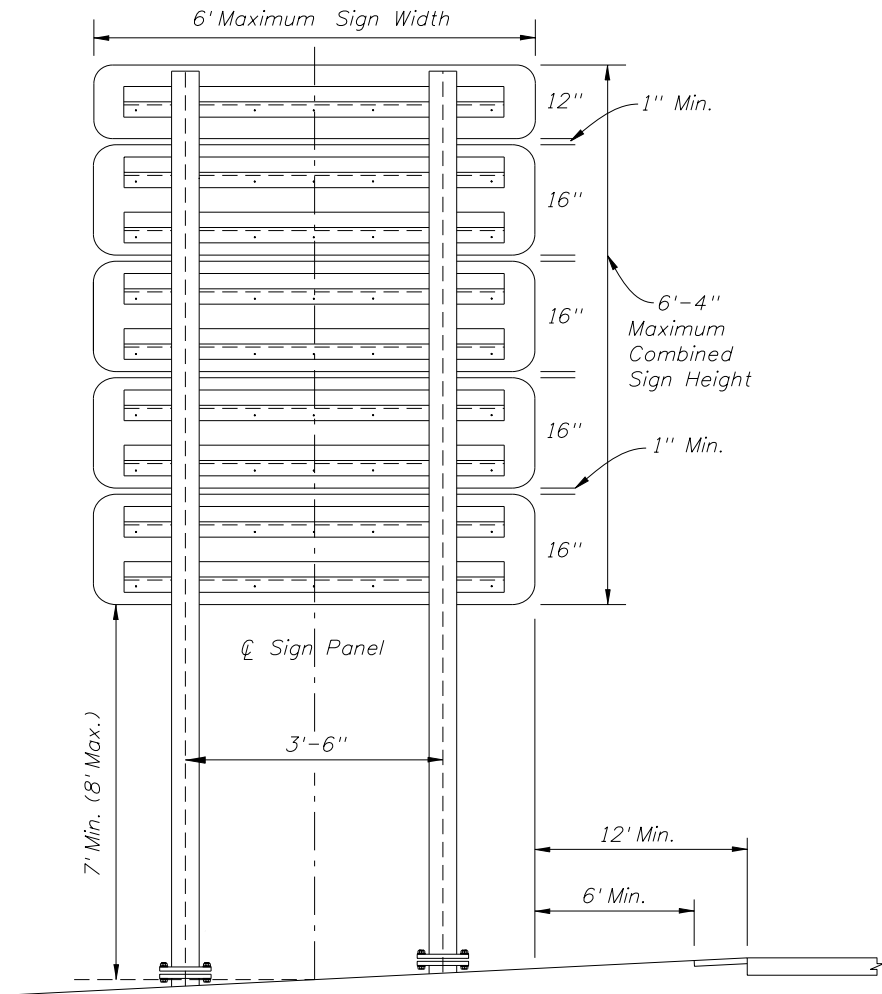
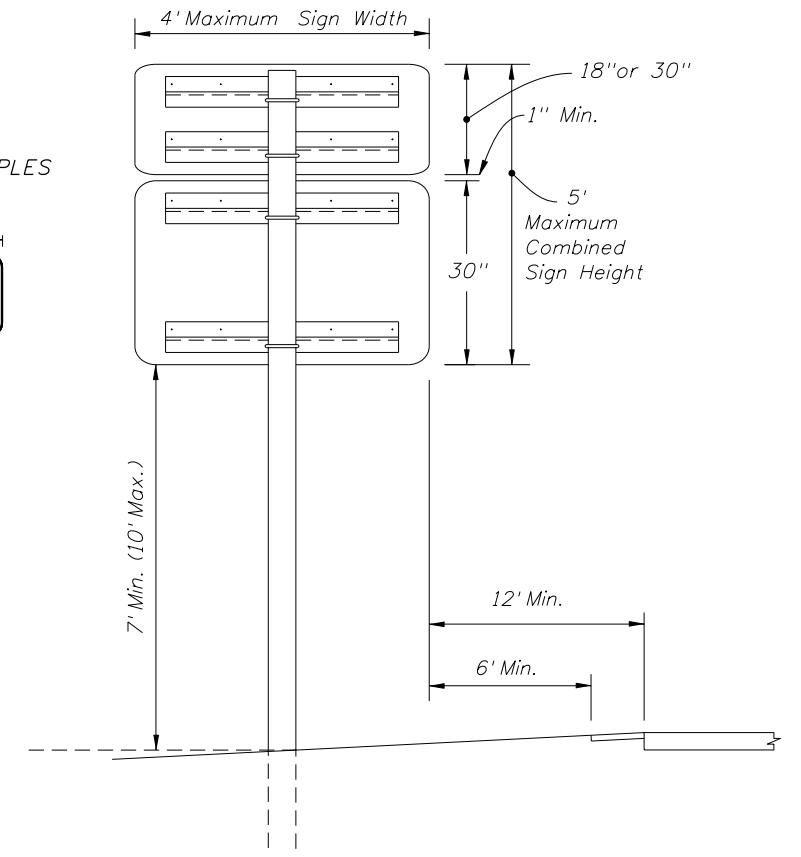
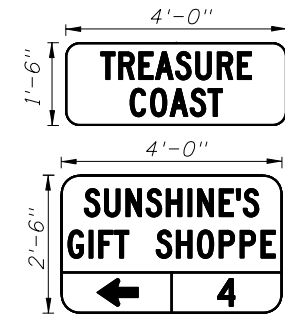


STEEL U-CHANNEL TRIPLE POST DIRECT BURIAL



TWO POST STEEL I BEAM WITH SLIP BASE

SINGLE POST SIGN EXAMPLES



SINGLE POST ALUMINUM ROUND TUBE

MULTIPOST SIGN EXAMPLES



General Notes:

1. Signs Must Comply With Rule 14-51, Florida Administrative Code.
2. Text for Signs Shall Be 6" Type C Lettering.
3. For Aluminum Round Tube Assembly and Foundation Detail, see Index 11860.
4. For Steel I Beam Assembly and Foundation Detail, see Index 11200.
5. For Steel U-Channel Assembly and Foundation Detail, See Index 600 Sheet 6 of 12. Galvanize Steel U-Channel in accordance with ASTM 123.

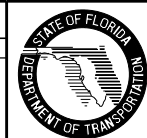
DESIGN FOR TOURIST ORIENTED DIRECTIONAL SIGNS
(Options for Aluminum Round Tube, Steel I Beam and Steel U-Channel.)

No. of Signs (Total Area)	Single Post Configuration		Two Post Configuration		Three Post Configuration	
	3-1/2" X 0.125" Aluminum Tube Direct Burial	4" X 0.125" Aluminum Tube Slip Base	S3X5.7 Steel I Beam Slip Base	W6X12 Steel I Beam Slip Base	3 lb/ft Steel U-Channel Direct Burial	4 lb/ft Steel U-Channel Lap Splice
10	OK	OK	NA	NA	NA	NA
16-20	NA	OK	NA	NA	NA	NA
14-16	NA	NA	OK	OK	OK	OK
22-24	NA	NA	OK	OK	NA	OK *
30-32	NA	NA	NA	OK	NA	NA
38	NA	NA	NA	OK	NA	NA

* Limited to 22 s.f. Total Sign Area.

REVISIONS

DATE	BY	DESCRIPTION	DATE	BY	DESCRIPTION
06/29/09	L.W.	New Index Added to The Design Standards.			



2008 Interim Design Standard

**TOURIST ORIENTED
DIRECTIONAL SIGNS**

Interim Date
07/01/09
Sheet No.
1 of 1
Index No.
17354