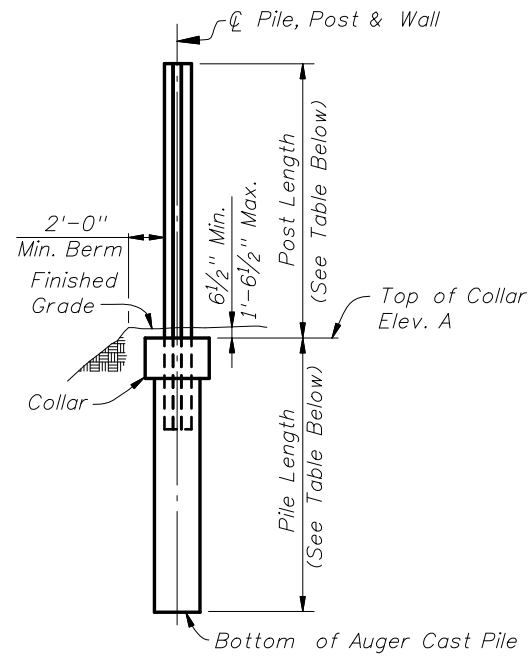


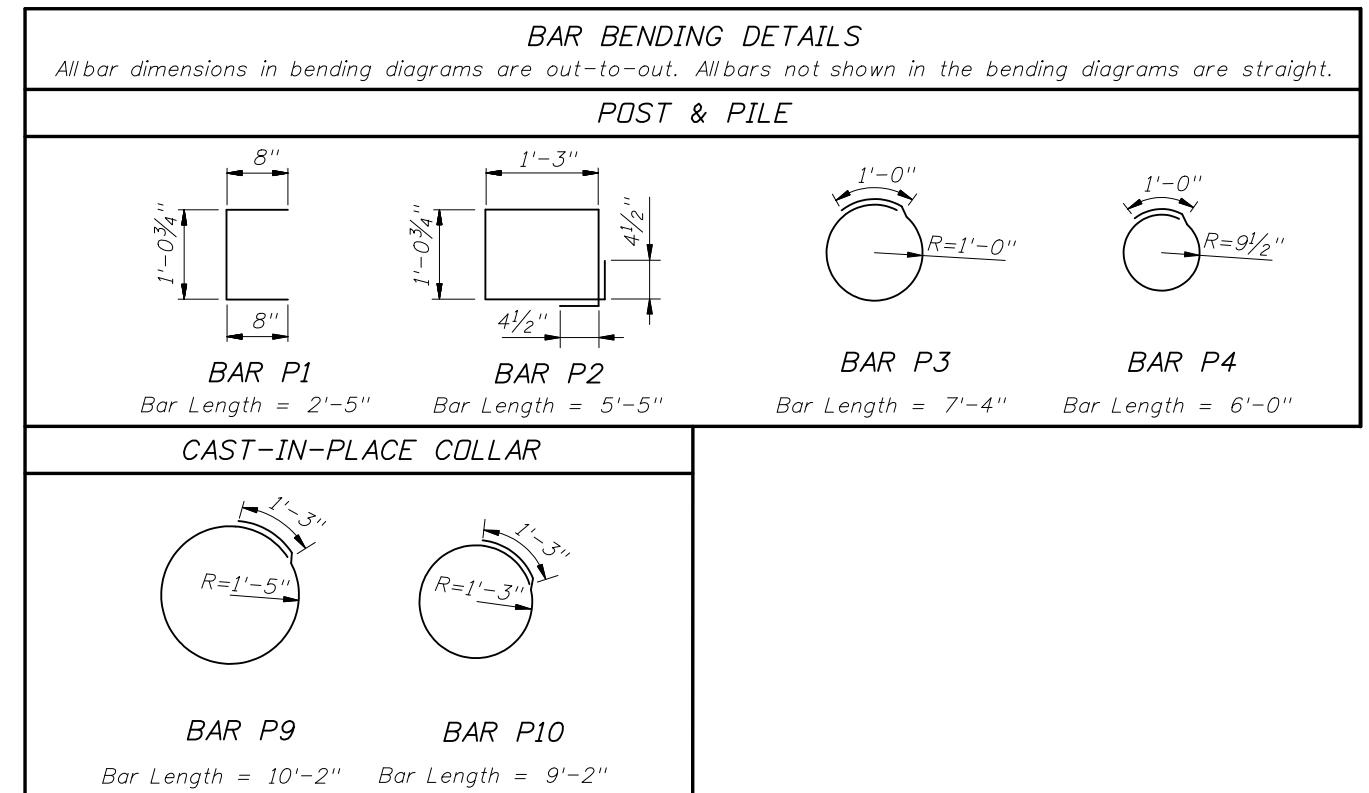
PILE/POST ELEVATION  
(Pile/Post Connection Option A Shown)



VIEW A-A  
(Pile/Post Connection Option A Shown)

NOTES:  
 Bars A, B & P1 are used in Options A, B & E.  
 Bars C are only used in Option A.  
 Bars C2 are only used in Option B.  
 Bars P2 are used in Options A & E.  
 Bars P3 are only used in Option A.  
 Bars P4 are only used in Option B.  
 Bars P9 & P10 are used in the Cast-In-Place Collar Options.

For Bar Designations, See Index No. 5205.



POST AND PILE DIMENSIONS						TABLE OF REINFORCING STEEL													
WALL TYPE	POST LENGTH	PILE LENGTH OPTION A		PILE LENGTH OPTIONS B, C, D & E		PILE/POST REINFORCING										CAST-IN-PLACE COLLAR			
		10'-0" POST SPACING	20'-0" POST SPACING	10'-0" POST SPACING	20'-0" POST SPACING	10'-0" POST SPACING			20'-0" POST SPACING			BARS C	BARS C2	BARS P1	BARS P2	BARS P3	BARS P4	BARS P9	BARS P10
						BARS A	BARS B		BARS A	BARS B									
SIZE	SIZE	DIM 'A'	SIZE	SIZE	DIM 'A'	SIZE	SIZE	SIZE	SIZE	SIZE	SIZE	SIZE	SIZE	SIZE	SIZE	SIZE	SIZE	SIZE	
A	12'-0 1/2"	11'-0"	14'-0"	12'-0"	15'-0"	#4	#4	10'-0"	#5	#5	9'-0"	#9	#7	#4	#4	#4	#4	#5	#5
B	13'-0 1/2"	11'-0"	15'-0"	12'-0"	16'-0"	#4	#4	10'-7"	#5	#5	8'-10"	#9	#7	#4	#4	#4	#4	#5	#5
C	14'-0 1/2"	12'-0"	16'-0"	13'-0"	17'-0"	#4	#4	10'-5"	#6	#6	10'-4"	#9	#7	#4	#4	#4	#4	#5	#5
D	15'-0 1/2"	12'-0"	17'-0"	13'-0"	18'-0"	#5	#5	12'-11"	#6	#6	10'-3"	#9	#7	#4	#4	#4	#4	#5	#5
E	16'-0 1/2"	13'-0"	17'-0"	14'-0"	18'-0"	#5	#5	12'-9"	#7	#7	11'-10"	#9	#7	#4	#4	#4	#4	#5	#5
F	17'-0 1/2"	14'-0"	18'-0"	14'-0"	19'-0"	#5	#5	12'-7"	#7	#7	11'-8"	#9	#7	#4	#4	#4	#4	#5	#5
G	18'-0 1/2"	14'-0"	19'-0"	15'-0"	20'-0"	#6	#6	14'-11"	#8	#8	13'-1"	#9	#7	#4	#4	#4	#4	#5	#5
H	19'-0 1/2"	15'-0"	20'-0"	15'-0"	21'-0"	#6	#6	14'-10"	#8	#8	13'-0"	#9	#7	#4	#4	#4	#4	#5	#5
I	20'-0 1/2"	15'-0"	21'-0"	16'-0"	22'-0"	#6	#6	14'-9"	#9	#9	14'-3"	#9	#7	#4	#4	#4	#4	#5	#5
J	21'-0 1/2"	16'-0"	22'-0"	16'-0"	24'-0"	#6	#6	14'-8"	#9	#9	14'-2"	#9	#7	#4	#4	#4	#4	#5	#5
K	22'-0 1/2"	16'-0"	23'-0"	17'-0"	26'-0" *	#7	#7	17'-1"	#9	#9	14'-1"	#9	#7	#4	#4	#4	#4	#5	#5

\* For SteelPost Option "D", use 30'-0".

NOTE: USE THIS INDEX ONLY WHEN SOIL SPT N VALUES ARE BETWEEN 10 AND 40



2008 FDOT Design Standards

**PRECAST SOUND BARRIERS -  
 PILE DEPTH AND REINFORCING SUMMARY**

Last Revision: 07/01/05  
 Sheet No. 1 of 1  
 Index No. 5206