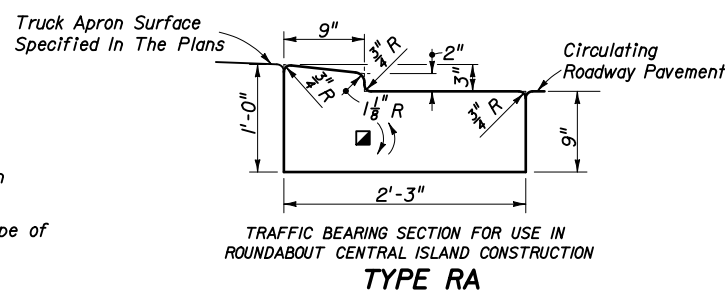


△ Applies to both high and low sides of pavement, low side shown. Applies to shoulder gutter only where adjoining traffic lanes.

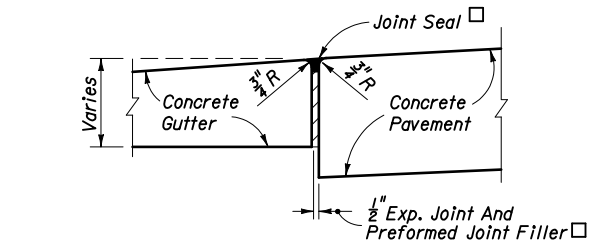
**CURB AND GUTTER AND TYPE A CURB ADJACENT TO FLEXIBLE PAVEMENT**

\* When used on high side of roadways, the cross slope of the gutter shall match the cross slope of the adjacent pavement. The thickness of the lip shall be 6", unless otherwise shown on plans.

▣ Rotate entire section so that gutter cross slope matches slope of adjacent circulating roadway pavement.



**CONTRACTION JOINT IN CURB**

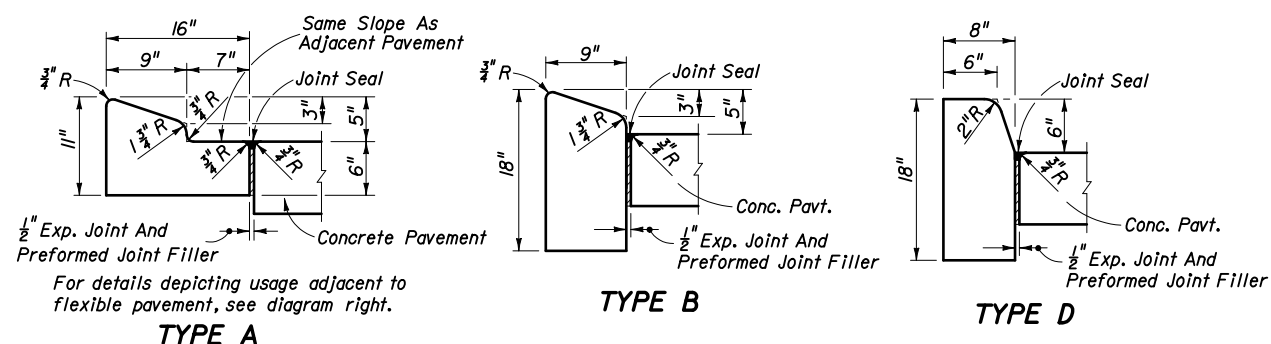


□ Applies to both high and low sides of pavement, low side shown.

**EXPANSION JOINT BETWEEN GUTTER AND CONCRETE PAVEMENT**

Note: For use adjacent to concrete or flexible pavement. For details depicting usage adjacent to flexible pavement, see diagram right. Expansion joint, preformed joint filler and joint seal are required between curb & gutter and concrete pavement only, see diagram right.

**CONCRETE CURB AND GUTTER**



For details depicting usage adjacent to flexible pavement, see diagram right.

**TYPE A**

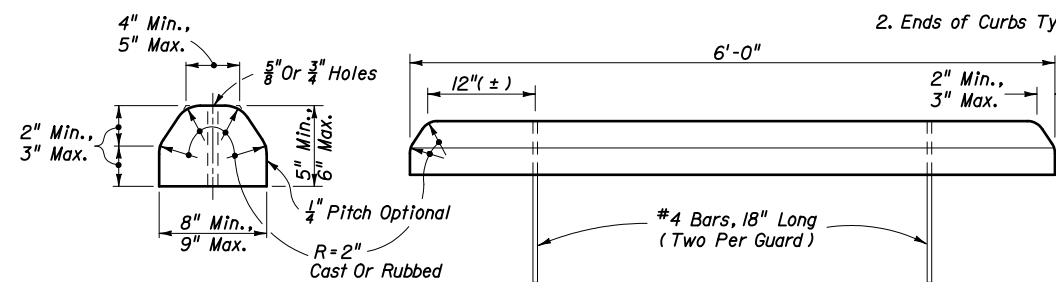
**TYPE B**

**TYPE D**

Note: For use adjacent to concrete or flexible pavement, concrete shown. Expansion joint, preformed joint filler and joint seal are required between curbs and concrete pavement only, see diagram right.

**CONCRETE CURB**

**ASPHALTIC CONCRETE CURB**



**CONCRETE BUMPER GUARD**

**GENERAL NOTES**

- For curb, gutter and curb & gutter provide 1/8" - 1/4" contraction joints at 10' centers (max.). Contraction joints adjacent to concrete pavement on tangents and flat curves are to match the pavement joints, with intermediate joints not to exceed 10' centers. Curb, gutter and curb & gutter expansion joints shall be located in accordance with Section 520 of the standard specifications.
- Ends of Curbs Types B and D shall transition from full to zero heights in 3'.

