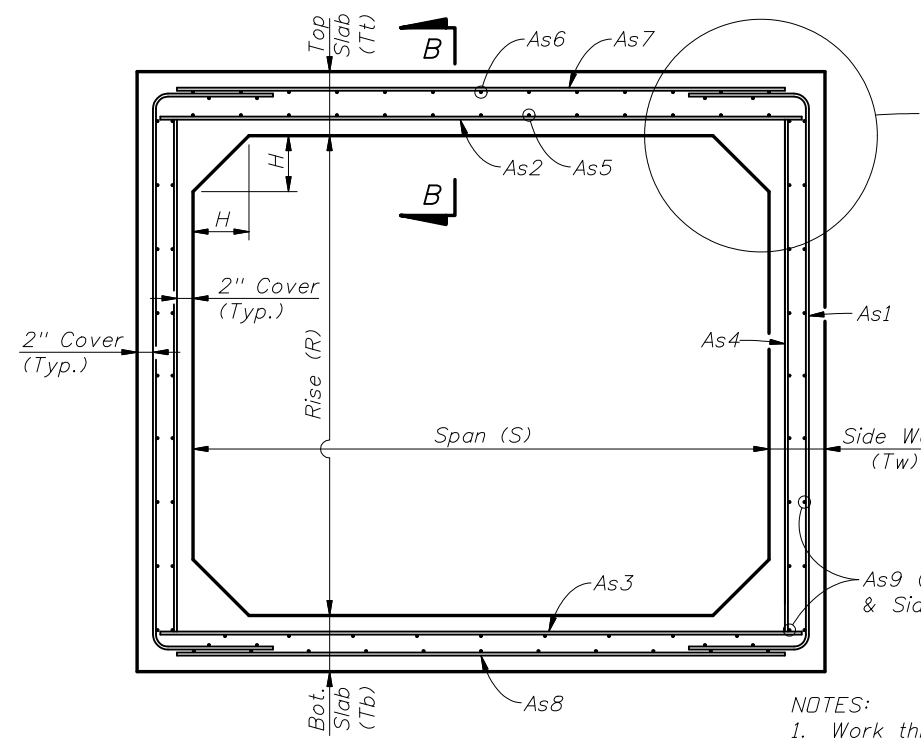
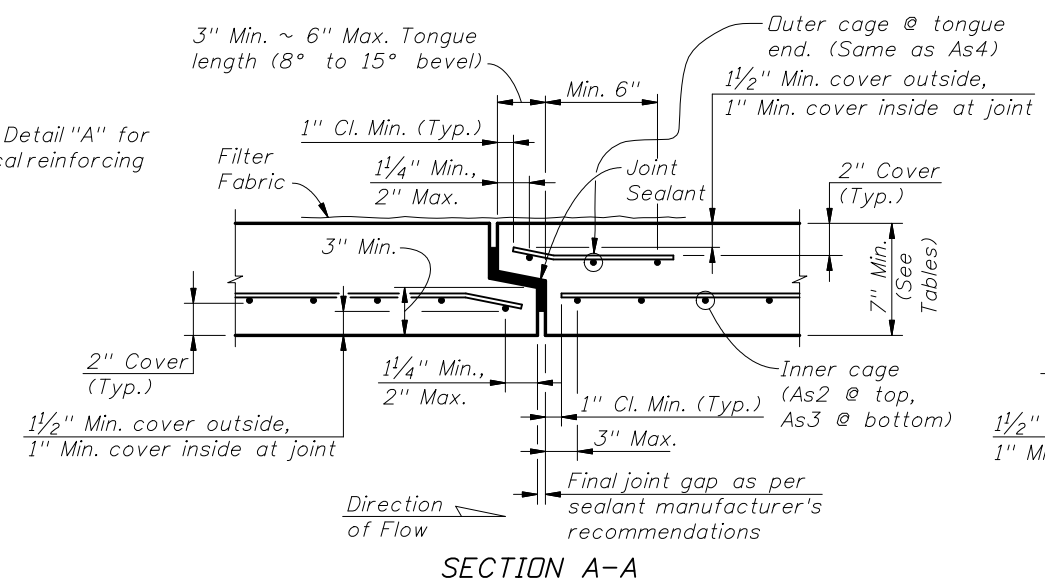


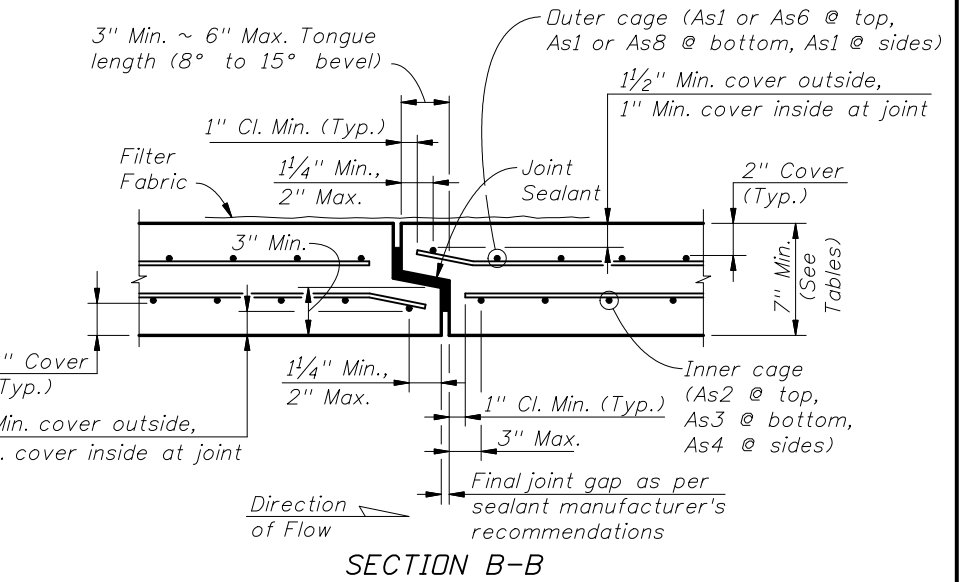
TYPICAL BOX SECTION (TYPE 2)
DESIGN EARTH COVER 2' OR GREATER



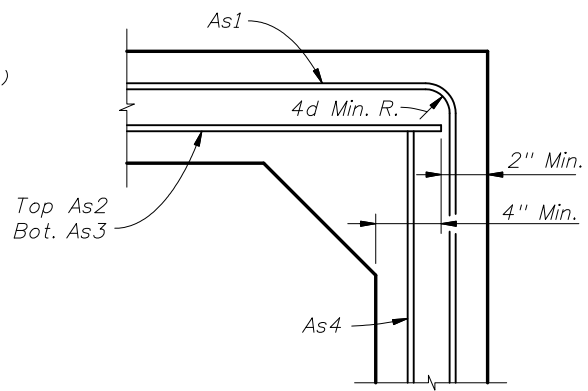
TYPICAL BOX SECTION (TYPE 1)
DESIGN EARTH COVER LESS THAN 2'



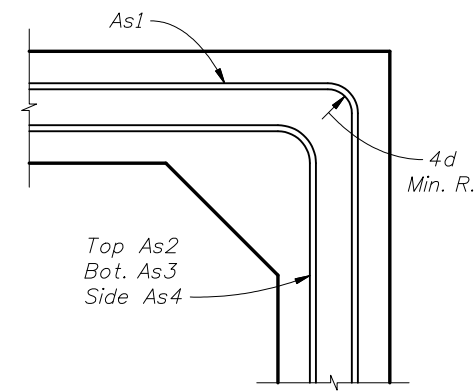
SECTION A-A



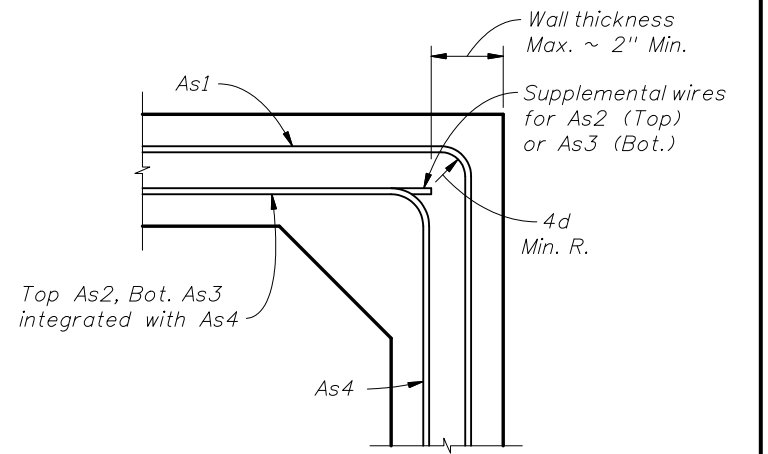
SECTION B-B
TYPICAL SECTION THRU JOINT



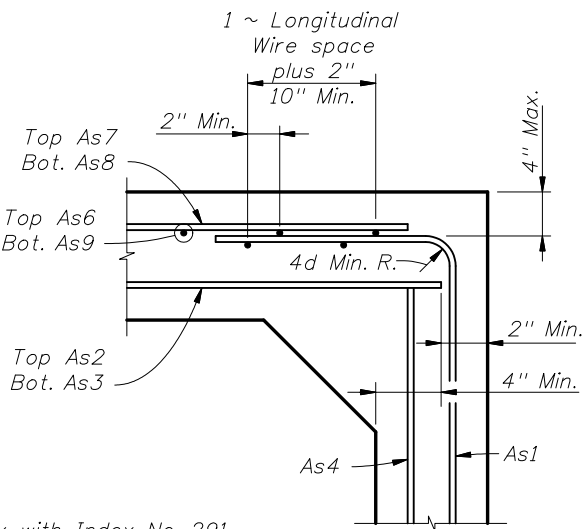
DETAIL "A"
(OPTION 1)



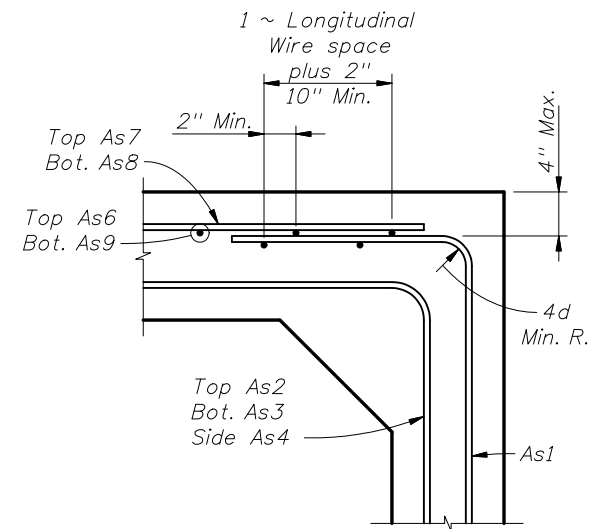
DETAIL "A"
(OPTION 2)



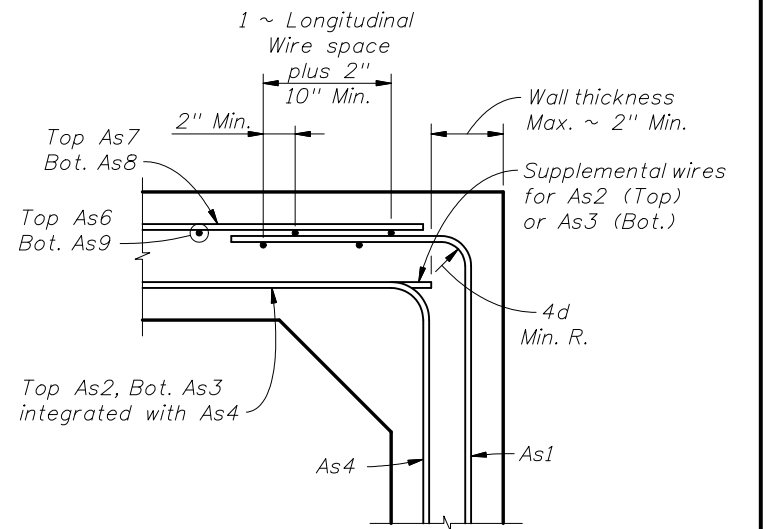
DETAIL "A"
(OPTION 3)



DETAIL "B"
(OPTION 1)



DETAIL "B"
(OPTION 2)



DETAIL "B"
(OPTION 3)

NOTES:
1. Work this Index with Index No. 291.
2. See sheets 2 thru 5 for dimensions and areas of reinforcement.

STANDARD PRECAST BOX CULVERT WITH 2" CONCRETE COVER

GENERAL NOTES:

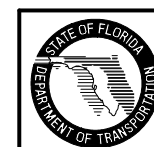
1. These precast designs may be substituted for cast-in-place box culverts designed to AASHTO LRFD Bridge Design Specifications, 3rd Edition. Designs are based on the design criteria shown in FDOT Structures Design Guidelines (January 2007 edition).
2. Loading: HL-93 & any fill heights between the minimum & maximum shown.
3. Only one design of precast box culvert is to be used for any installation.
4. Reinforcing steel must consist of smooth or deformed welded wire reinforcement (WWR) conforming to ASTM A185 or A497. Longitudinal reinforcement may consist of ASTM A615 Grade 60 bars. Minimum cover must be 2" unless otherwise shown. The spacing of circumferential wires must not be less than 2" nor more than 4". The spacing of longitudinal wires or bars must not be more than 8".
5. As9 longitudinal wires must have a minimum cross-sectional area of 40% of the circumferential wires, but not less than a W2.5 or D2.5 for WWR, or #3 bars for ASTM A615 deformed bars.
6. Welding of reinforcement must be limited to the locations shown in ASTM C1577 and in accordance with ANSI/AWS D1.4 "Structural Welding Code - Reinforcing Steel".

7. Haunch dimensions may vary between the minimum and maximum dimensions shown in the Design Tables but only one haunch dimension must be used within the full length of the box culvert installation.
8. Submittal of redesign calculations are not required for any increase to the slab and/or wall thickness when the minimum reinforcement areas shown in the Design Tables are provided.
9. For Design Earth Cover greater than 10 feet, the Contractor may interpolate the required areas of reinforcement and slab or wall thickness. Interpolated areas of reinforcement, slab or wall thickness must be approved by the Engineer.

SPAN x RISE (S) (R) (ft.)	SLAB / WALL THICKNESS				DESIGN EARTH COVER ABOVE TOP SLAB	REINFORCEMENT AREAS (sq. in./ft.)									As1 EXT. LENGTH (M) (in.)
	TOP (Tt) (in.)	BOT. (Tb) (in.)	SIDE (Tw) (in.)	HAUNCH (H) (in.)		As1	As2	As3	As4	As5	As6	As7	As8	As9	
3' x 3'	7	7	7	4	0.33' - <2'	0.17	0.29	0.21	0.17	0.17	0.17	0.17	0.17	-	
					2' - <3'	0.13	0.28	0.21	0.09	-	-	-	-	31	
					3' - <5'	0.09	0.17	0.17	0.09	-	-	-	-	31	
					5' - 10'	0.09	0.17	0.17	0.09	-	-	-	-	31	
					15'	0.09	0.17	0.17	0.09	-	-	-	-	31	
				8	20'	0.12	0.17	0.17	0.09	-	-	-	-	31	
					25'	0.14	0.18	0.18	0.09	-	-	-	-	31	
					30'	0.17	0.21	0.22	0.09	-	-	-	-	31	
					35'	0.19	0.25	0.25	0.09	-	-	-	-	31	
					See General Note 5	-	-	-	-	-	-	-	-	-	31
4' x 3'	7	7	7	4	0.33' - <2'	0.19	0.38	0.26	0.17	0.19	0.17	0.17	0.19	-	
					2' - <3'	0.19	0.38	0.26	0.09	-	-	-	-	38	
					3' - <5'	0.14	0.20	0.22	0.09	-	-	-	-	38	
					5' - 10'	0.11	0.17	0.17	0.09	-	-	-	-	38	
					15'	0.15	0.17	0.18	0.09	-	-	-	-	38	
				8	20'	0.20	0.23	0.23	0.09	-	-	-	-	38	
					25'	0.24	0.28	0.29	0.09	-	-	-	-	38	
					30'	0.29	0.34	0.35	0.09	-	-	-	-	38	
					See General Note 5	-	-	-	-	-	-	-	-	-	38
					See General Note 5	-	-	-	-	-	-	-	-	-	38
4' x 4'	7	7	7	4	0.33' - <2'	0.19	0.41	0.28	0.17	0.21	0.17	0.17	0.19	-	
					2' - <3'	0.19	0.41	0.28	0.09	-	-	-	-	38	
					3' - <5'	0.14	0.21	0.24	0.09	-	-	-	-	38	
					5' - 10'	0.12	0.17	0.17	0.09	-	-	-	-	38	
					15'	0.16	0.19	0.20	0.09	-	-	-	-	38	
				8	20'	0.21	0.25	0.25	0.09	-	-	-	-	38	
					25'	0.26	0.31	0.32	0.09	-	-	-	-	38	
					30'	0.31	0.37	0.38	0.09	-	-	-	-	38	
					See General Note 5	-	-	-	-	-	-	-	-	-	38
					See General Note 5	-	-	-	-	-	-	-	-	-	38

SPAN x RISE (S) (R) (ft.)	SLAB / WALL THICKNESS				DESIGN EARTH COVER ABOVE TOP SLAB	REINFORCEMENT AREAS (sq. in./ft.)									As1 EXT. LENGTH (M) (in.)
	TOP (Tt) (in.)	BOT. (Tb) (in.)	SIDE (Tw) (in.)	HAUNCH (H) (in.)		As1	As2	As3	As4	As5	As6	As7	As8	As9	
3' x 3'	8	8	8	4	0.33' - <2'	0.20	0.26	0.32	0.20	0.20	0.20	0.20	0.20	-	
					2' - <3'	0.16	0.25	0.31	0.10	-	-	-	-	31	
					3' - <5'	0.10	0.20	0.20	0.10	-	-	-	-	31	
					5' - 10'	0.10	0.20	0.20	0.10	-	-	-	-	31	
					15'	0.10	0.20	0.20	0.10	-	-	-	-	31	
				8	20'	0.10	0.20	0.20	0.10	-	-	-	-	31	
					25'	0.11	0.20	0.20	0.10	-	-	-	-	31	
					30'	0.13	0.20	0.20	0.10	-	-	-	-	31	
					35'	0.15	0.21	0.21	0.10	-	-	-	-	31	
					See General Note 5	-	-	-	-	-	-	-	-	-	31
4' x 3'	8	8	8	4	0.33' - <2'	0.20	0.31	0.22	0.20	0.20	0.20	0.20	0.20	-	
					2' - <3'	0.12	0.31	0.22	0.10	-	-	-	-	38	
					3' - <5'	0.12	0.20	0.20	0.10	-	-	-	-	38	
					5' - 10'	0.10	0.20	0.20	0.10	-	-	-	-	38	
					15'	0.12	0.20	0.20	0.10	-	-	-	-	38	
				8	20'	0.16	0.20	0.20	0.10	-	-	-	-	38	
					25'	0.19	0.24	0.24	0.10	-	-	-	-	38	
					30'	0.22	0.28	0.29	0.10	-	-	-	-	38	
					See General Note 5	-	-	-	-	-	-	-	-	-	38
					See General Note 5	-	-	-	-	-	-	-	-	-	38
4' x 4'	8	8	8	4	0.33' - <2'	0.20	0.33	0.24	0.20	0.20	0.20	0.20	0.20	-	
					2' - <3'	0.17	0.33	0.24	0.10	-	-	-	-	38	
					3' - <5'	0.12	0.20	0.20	0.10	-	-	-	-	38	
					5' - 10'	0.10	0.20	0.20	0.10	-	-	-	-	38	
					15'	0.13	0.20	0.20	0.10	-	-	-	-	38	
				8	20'	0.16	0.21	0.22	0.10	-	-	-	-	38	
					25'	0.20	0.26	0.27	0.10	-	-	-	-	38	
					30'	0.23	0.31	0.32	0.10	-	-	-	-	38	
					See General Note 5	-	-	-	-	-	-	-	-	-	38
					See General Note 5	-	-	-	-	-	-	-	-	-	38

NOTES: 1. See Sheet 1 for Reinforcing Details and dimension locations.
2. See Sheet 14 for WWR Bending Diagram.



2008 FDOT Design Standards

STANDARD PRECAST CONCRETE BOX CULVERTS

Last Revision: 01/01/07
Sheet No. 2 of 14
Index No. 292

TABLE 2A - STANDARD PRECAST BOX CULVERT DESIGNS (2" COVER) - 5' & 6' SPANS

SPAN x RISE (S) (R) (ft.)	SLAB / WALL THICKNESS				DESIGN EARTH COVER ABOVE TOP SLAB	REINFORCEMENT AREAS (sq. in./ft.)									As1 EXT. LENGTH (M) (in.)	
	TOP (Tt) (in.)	BOT. (Tb) (in.)	SIDE (Tw) (in.)	HAUNCH (H) (in.)		As1	As2	As3	As4	As5	As6	As7	As8	As9		
						As1	As2	As3	As4	As5	As6	As7	As8	As9		
5' x 3'	7	7	7	4	0.33' - <2'	0.31	0.48	0.42	0.17	0.21	0.17	0.23	0.31	-		
					2' - <3'	0.31	0.48	0.42	0.09	-	-	-	-	45		
					3' - <5'	0.20	0.27	0.27	0.09	-	-	-	-	36		
				8	5' - 10'	0.17	0.19	0.21	0.09	-	-	-	-	36		
					15'	0.24	0.25	0.25	0.09	-	-	-	-	35		
					20'	0.32	0.33	0.33	0.09	-	-	-	-	35		
	8	25'	0.39	0.41	0.42	0.09	-	-	-	-	35					
		30'	0.47	0.50	0.50	0.09	-	-	-	-	35					
		5' x 4'	7	7	4	0.33' - <2'	0.30	0.51	0.45	0.17	0.23	0.17	0.21	0.30	-	
						2' - <3'	0.30	0.51	0.45	0.09	-	-	-	-	45	
						3' - <5'	0.18	0.30	0.29	0.09	-	-	-	-	45	
					8	5' - 10'	0.17	0.21	0.23	0.09	-	-	-	-	36	
15'	0.24					0.27	0.28	0.09	-	-	-	-	35			
20'	0.31					0.36	0.37	0.09	-	-	-	-	35			
8	25'		0.39	0.45	0.46	0.09	-	-	-	-	35					
	30'		0.46	0.55	0.56	0.09	-	-	-	-	35					
	5' x 5'		7	7	4	0.33' - <2'	0.30	0.53	0.48	0.17	0.24	0.17	0.21	0.30	-	
						2' - <3'	0.29	0.53	0.48	0.09	-	-	-	-	45	
						3' - <5'	0.19	0.31	0.31	0.09	-	-	-	-	45	
					8	5' - 10'	0.19	0.22	0.25	0.09	-	-	-	-	45	
15'		0.26				0.29	0.31	0.09	-	-	-	-	36			
20'		0.34				0.39	0.40	0.09	-	-	-	-	35			
8		25'	0.41	0.49	0.50	0.09	-	-	-	-	35					
		30'	0.49	0.59	0.61	0.09	-	-	-	-	35					
		6' x 3'	7.5	7	7	4	0.33' - <2'	0.39	0.54	0.48	0.17	0.22	0.18	0.25	0.39	-
							2' - <3'	0.39	0.58	0.49	0.09	-	-	-	-	43
							3' - <5'	0.28	0.36	0.36	0.09	-	-	-	-	39
						12	5' - 10'	0.25	0.26	0.28	0.09	-	-	-	-	39
15'	0.36						0.34	0.34	0.09	-	-	-	-	38		
20'	0.47						0.46	0.46	0.09	-	-	-	-	38		
8	25'		0.59	0.57	0.55	0.09	-	-	-	-	38					
	30'		0.60	0.64	0.64	0.09	-	-	-	-	38					
	6' x 4'		7.5	7	7	4	0.33' - <2'	0.37	0.58	0.52	0.17	0.24	0.18	0.23	0.37	-
							2' - <3'	0.37	0.61	0.53	0.09	-	-	-	-	43
							3' - <5'	0.26	0.39	0.39	0.09	-	-	-	-	39
						12	5' - 10'	0.24	0.28	0.31	0.09	-	-	-	-	39
15'		0.35					0.37	0.38	0.09	-	-	-	-	38		
20'		0.46					0.50	0.50	0.09	-	-	-	-	38		
8		25'	0.56	0.63	0.60	0.09	-	-	-	-	38					
		30'	0.58	0.69	0.69	0.09	-	-	-	-	38					
		6' x 5'	7.5	7	7	4	0.33' - <2'	0.36	0.60	0.56	0.17	0.25	0.18	0.22	0.36	-
							2' - <3'	0.36	0.64	0.56	0.09	-	-	-	-	43
							3' - <5'	0.26	0.410	0.42	0.09	-	-	-	-	43
						12	5' - 10'	0.25	0.30	0.33	0.09	-	-	-	-	39
15'	0.34						0.40	0.41	0.09	-	-	-	-	38		
20'	0.46						0.54	0.54	0.09	-	-	-	-	38		
8	25'		0.56	0.67	0.65	0.09	-	-	-	-	38					
	30'		0.60	0.74	0.74	0.09	-	-	-	-	38					
	6' x 6'		7.5	7	7	4	0.33' - <2'	0.36	0.63	0.59	0.17	0.26	0.18	0.22	0.36	-
							2' - <3'	0.35	0.67	0.59	0.09	-	-	-	-	52
							3' - <5'	0.27	0.43	0.44	0.09	-	-	-	-	52
						12	5' - 10'	0.27	0.32	0.35	0.09	-	-	-	-	43
15'		0.38					0.43	0.44	0.09	-	-	-	-	39		
20'		0.50					0.57	0.59	0.09	-	-	-	-	39		
8		25'	0.60	0.72	0.70	0.09	-	-	-	-	38					
		30'	0.67	0.78	0.79	0.09	-	-	-	-	38					

See General Note 5

TABLE 2B - STANDARD PRECAST BOX CULVERT DESIGNS (2" COVER) - 5' & 6' SPANS

SPAN x RISE (S) (R) (ft.)	SLAB / WALL THICKNESS				DESIGN EARTH COVER ABOVE TOP SLAB	REINFORCEMENT AREAS (sq. in./ft.)									As1 EXT. LENGTH (M) (in.)	
	TOP (Tt) (in.)	BOT. (Tb) (in.)	SIDE (Tw) (in.)	HAUNCH (H) (in.)		As1	As2	As3	As4	As5	As6	As7	As8	As9		
						As1	As2	As3	As4	As5	As6	As7	As8	As9		
5' x 3'	8	8	8	4	0.33' - <2'	0.26	0.39	0.36	0.20	0.20	0.20	0.20	0.26	-		
					2' - <3'	0.26	0.39	0.36	0.10	-	-	-	-	45		
					3' - <5'	0.16	0.23	0.24	0.10	-	-	-	-	36		
				8	5' - 10'	0.13	0.20	0.20	0.10	-	-	-	-	36		
					15'	0.19	0.21	0.22	0.10	-	-	-	-	35		
					20'	0.24	0.28	0.28	0.10	-	-	-	-	35		
	8	25'	0.30	0.34	0.35	0.10	-	-	-	-	35					
		30'	0.36	0.41	0.41	0.10	-	-	-	-	35					
		5' x 4'	8	8	4	0.33' - <2'	0.25	0.42	0.38	0.20	0.20	0.20	0.20	0.25	-	
						2' - <3'	0.25	0.42	0.38	0.10	-	-	-	-	45	
						3' - <5'	0.16	0.25	0.25	0.10	-	-	-	-	45	
					8	5' - 10'	0.13	0.20	0.20	0.10	-	-	-	-	36	
15'	0.19					0.23	0.24	0.10	-	-	-	-	35			
20'	0.24					0.30	0.31	0.10	-	-	-	-	35			
8	25'		0.30	0.37	0.38	0.10	-	-	-	-	35					
	30'		0.35	0.45	0.46	0.10	-	-	-	-	35					
	5' x 5'		8	8	4	0.33' - <2'	0.25	0.44	0.41	0.20	0.20	0.20	0.20	0.25	-	
						2' - <3'	0.25	0.44	0.41	0.10	-	-	-	-	45	
						3' - <5'	0.16	0.26	0.27	0.10	-	-	-	-	45	
					8	5' - 10'	0.15	0.20	0.22	0.10	-	-	-	-	45	
15'		0.20				0.25	0.26	0.10	-	-	-	-	36			
20'		0.26				0.32	0.33	0.10	-	-	-	-	35			
8		25'	0.32	0.40	0.41	0.10	-	-	-	-	35					
		30'	0.37	0.48	0.49	0.10	-	-	-	-	35					
		6' x 3'	8	8	8	4	0.33' - <2'	0.32	0.47	0.41	0.20	0.20	0.20	0.25	0.32	-
							2' - <3'	0.32	0.47	0.41	0.10	-	-	-	-	43
							3' - <5'	0.23	0.30	0.31	0.10	-	-	-	-	39
						12	5' - 10'	0.19	0.22	0.24	0.10	-	-	-	-	39
15'	0.28						0.29	0.29	0.10	-	-	-	-	38		
20'	0.36						0.38	0.38	0.10	-	-	-	-	38		
8	25'		0.45	0.47	0.47	0.10	-	-	-	-	38					
	30'		0.54	0.57	0.57	0.10	-	-	-	-	38					
	6' x 4'		8	8	8	4	0.33' - <2'	0.31	0.50	0.44	0.20	0.21	0.20	0.23	0.31	-
							2' - <3'	0.31	0.50	0.44	0.10	-	-	-	-	43
							3' - <5'	0.23	0.32	0.34	0.10	-	-	-	-	39
						12	5' - 10'	0.19	0.24	0.26	0.10	-	-	-	-	39
15'		0.27					0.31	0.32	0.10	-	-	-	-	38		
20'		0.35					0.41	0.41	0.10	-	-	-	-	38		
8		25'	0.43	0.51	0.51	0.10	-	-	-	-	38					
		30'	0.52	0.62	0.62	0.10	-	-	-	-	38					
		6' x 5'	8	8	8	4	0.33' - <2'	0.30	0.52	0.47	0.20	0.22	0.20	0.22	0.30	-
							2' - <3'	0.30	0.52	0.47	0.10	-	-	-	-	43
							3' - <5'	0.22	0.34	0.36	0.10	-	-	-	-	43
						12	5' - 10'	0.20	0.26	0.28	0.10	-	-	-	-	39
15'	0.27						0.33	0.34	0.10	-	-	-	-	38		
20'	0.36						0.44	0.45	0.10	-	-	-	-	38		
8	25'		0.44	0.55	0.55	0.10	-	-	-	-	38					
	30'		0.52	0.66	0.67	0.10	-	-	-	-	38					
	6' x 6'		8	8	8	4	0.33' - <2'	0.30	0.54	0.50	0.20	0.22	0.20	0.22	0.30	-
							2' - <3'	0.30	0.54	0.50	0.10	-	-	-	-	52
							3' - <5'	0.23	0.36	0.38	0.10	-	-	-	-	52
						12	5' - 10'	0.21	0.27	0.30	0.10	-	-	-	-	43
15'		0.29					0.35	0.37	0.10	-	-	-	-	39		
20'		0.38					0.47	0.48	0.10	-	-	-	-	39		
8		25'	0.47	0.59	0.60	0.10	-	-	-	-	38					
		30'	0.55	0.70	0.71	0.10	-	-	-	-	38					

See General Note 5

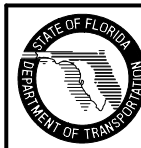


TABLE 3 - STANDARD PRECAST BOX CULVERT DESIGNS (2" COVER) - 7' SPANS

SPAN x RISE (S) (R) (ft.)	SLAB / WALL THICKNESS				DESIGN EARTH COVER ABOVE TOP SLAB	REINFORCEMENT AREAS (sq. in./ft.)									As1 EXT. LENGTH (M) (in.)	
	TOP (Tt) (in.)	BOT. (Tb) (in.)	SIDE (Tw) (in.)	HAUNCH (H) (in.)		As1	As2	As3	As4	As5	As6	As7	As8	As9		
7' x 4'	8	8	8	4	0.33' - <2'	0.37	0.58	0.49	0.20	0.22	0.20	0.29	0.37		-	
				to	2' - <3'	0.37	0.58	0.49	0.10	-	-	-	-	43		
					3' - <5'	0.30	0.40	0.42	0.10	-	-	-	-	43		
					5' - 10'	0.26	0.30	0.33	0.10	-	-	-	-	43		
					15'	0.37	0.40	0.40	0.10	-	-	-	-	41		
					20'	0.49	0.53	0.53	0.10	-	-	-	-	41		
		8	8	8	7 to	25'	0.60	0.67	0.66	0.10	-	-	-	-	41	
		8.5	8.5	8	12	30'	0.68	0.79	0.78	0.10	-	-	-	-	41	
	7' x 5'	8	8	8	4	0.33' - <2'	0.36	0.60	0.53	0.20	0.23	0.20	0.28	0.36		-
					to	2' - <3'	0.36	0.60	0.53	0.10	-	-	-	-	47	
						3' - <5'	0.30	0.42	0.45	0.10	-	-	-	-	43	
						5' - 10'	0.26	0.32	0.35	0.10	-	-	-	-	43	
					15'	0.37	0.43	0.44	0.10	-	-	-	-	41		
					20'	0.48	0.57	0.57	0.10	-	-	-	-	41		
		8	8	8	7 to	25'	0.60	0.72	0.72	0.10	-	-	-	-	41	
		8.5	8.5	8	12	30'	0.67	0.84	0.84	0.10	-	-	-	-	41	
7' x 6'		8	8	8	4	0.33' - <2'	0.36	0.63	0.56	0.20	0.24	0.20	0.27	0.36		-
					to	2' - <3'	0.36	0.63	0.56	0.10	-	-	-	-	59	
						3' - <5'	0.29	0.44	0.47	0.10	-	-	-	-	47	
						5' - 10'	0.27	0.34	0.37	0.10	-	-	-	-	43	
					15'	0.38	0.46	0.46	0.10	-	-	-	-	41		
					20'	0.49	0.60	0.61	0.10	-	-	-	-	41		
		8	8	8	7 to	25'	0.61	0.76	0.76	0.10	-	-	-	-	41	
		8.5	8.5	8	12	30'	0.69	0.89	0.89	0.10	-	-	-	-	41	
	7' x 7'	8	8	8	4	0.33' - <2'	0.36	0.65	0.58	0.20	0.25	0.20	0.27	0.36		-
					to	2' - <3'	0.36	0.65	0.58	0.10	-	-	-	-	59	
						3' - <5'	0.30	0.46	0.50	0.10	-	-	-	-	59	
						5' - 10'	0.30	0.35	0.50	0.10	-	-	-	-	47	
					15'	0.41	0.48	0.50	0.10	-	-	-	-	43		
					20'	0.53	0.64	0.65	0.10	-	-	-	-	43		
		8	8	8	7 to	25'	0.65	0.80	0.81	0.10	-	-	-	-	43	
		8.5	9	8	12	30'	0.72	0.92	0.91	0.10	-	-	-	-	41	

See General Note 5

TABLE 4 - STANDARD PRECAST BOX CULVERT DESIGNS (2" COVER) - 8' SPANS

SPAN x RISE (S) (R) (ft.)	SLAB / WALL THICKNESS				DESIGN EARTH COVER ABOVE TOP SLAB	REINFORCEMENT AREAS (sq. in./ft.)									As1 EXT. LENGTH (M) (in.)	
	TOP (Tt) (in.)	BOT. (Tb) (in.)	SIDE (Tw) (in.)	HAUNCH (H) (in.)		As1	As2	As3	As4	As5	As6	As7	As8	As9		
8' x 4'	8	8	8	4	0.33' - <2'	0.40	0.60	0.52	0.20	0.22	0.22	0.28	0.39		-	
				to	2' - <3'	0.45	0.66	0.54	0.10	-	-	-	-	50		
					3' - <5'	0.39	0.48	0.50	0.10	-	-	-	-	50		
					5' - 10'	0.34	0.38	0.40	0.10	-	-	-	-	45		
					15'	0.49	0.51	0.50	0.10	-	-	-	-	41		
					20'	0.65	0.68	0.66	0.10	-	-	-	-	41		
		8.5	8.5	8	8 to	25'	0.76	0.83	0.80	0.10	-	-	-	-	41	
		9.5	9.5	8	12	30'	0.79	0.94	0.92	0.10	-	-	-	-	41	
	8' x 5'	8	8	8	4	0.33' - <2'	0.38	0.65	0.59	0.20	0.22	0.22	0.30	0.37		-
					to	2' - <3'	0.43	0.69	0.58	0.10	-	-	-	-	50	
						3' - <5'	0.37	0.51	0.53	0.10	-	-	-	-	45	
						5' - 10'	0.33	0.41	0.42	0.10	-	-	-	-	45	
					15'	0.48	0.54	0.53	0.10	-	-	-	-	41		
					20'	0.63	0.73	0.70	0.10	-	-	-	-	41		
		8.5	8.5	8	8 to	25'	0.74	0.88	0.86	0.10	-	-	-	-	41	
		9.5	9.5	8	12	30'	0.77	1.00	0.98	0.10	-	-	-	-	41	
8' x 6'		8	8	8	4	0.33' - <2'	0.32	0.65	0.58	0.20	0.23	0.22	0.25	0.31		-
					to	2' - <3'	0.42	0.71	0.61	0.10	-	-	-	-	50	
						3' - <5'	0.37	0.54	0.56	0.10	-	-	-	-	50	
						5' - 10'	0.34	0.43	0.45	0.10	-	-	-	-	45	
					15'	0.49	0.57	0.57	0.10	-	-	-	-	41		
					20'	0.64	0.77	0.76	0.10	-	-	-	-	41		
		8.5	8.5	8	8 to	25'	0.74	0.94	0.92	0.10	-	-	-	-	41	
		9.5	9.5	8	12	30'	0.78	1.05	1.04	0.10	-	-	-	-	41	
	8' x 7'	8	8	8	4	0.33' - <2'	0.31	0.67	0.60	0.20	0.24	0.22	0.24	0.31		-
					to	2' - <3'	0.42	0.74	0.64	0.10	-	-	-	-	55	
						3' - <5'	0.37	0.56	0.59	0.10	-	-	-	-	55	
						5' - 10'	0.36	0.45	0.47	0.10	-	-	-	-	50	
					15'	0.51	0.61	0.61	0.10	-	-	-	-	45		
					20'	0.66	0.81	0.80	0.10	-	-	-	-	41		
		8.5	8.5	8	8 to	25'	0.78	0.98	0.97	0.10	-	-	-	-	41	
		9.5	9.5	8	12	30'	0.84	1.10	1.09	0.10	-	-	-	-	41	
8' x 8'		8	8	8	4	0.33' - <2'	0.32	0.68	0.62	0.20	0.24	0.22	0.25	0.32		-
					to	2' - <3'	0.43	0.76	0.67	0.14	-	-	-	-	65	
						3' - <5'	0.38	0.58	0.61	0.14	-	-	-	-	65	
						5' - 10'	0.39	0.46	0.50	0.13	-	-	-	-	55	
					15'	0.55	0.64	0.65	0.10	-	-	-	-	45		
					20'	0.71	0.86	0.85	0.10	-	-	-	-	45		
		8.5	8.5	8	8 to	25'	0.84	1.03	1.02	0.10	-	-	-	-	41	
		9.5	9.5	8	12	30'	0.93	1.15	1.15	0.10	-	-	-	-	41	

See General Note 5

NOTES:

- See Sheet 1 for Reinforcing Details and dimension locations.
- See Sheet 2 for General Notes.
- See Sheet 14 for Welded Wire Reinforcement Bending Diagram.



2008 FDOT Design Standards

STANDARD PRECAST CONCRETE BOX CULVERTS

Last Revision: 07/01/07
Sheet No. 4 of 14
Index No. 292

TABLE 5 – STANDARD PRECAST BOX CULVERT DESIGNS (2" COVER) – 9' SPANS

SPAN x RISE (S) (R) (ft.)	SLAB / WALL THICKNESS				DESIGN EARTH COVER ABOVE TOP SLAB	REINFORCEMENT AREAS (sq. in./ft.)									As1 EXT. LENGTH (M) (in.)
	TOP (Tt) (in.)	BOT. (Tb) (in.)	SIDE (Tw) (in.)	HAUNCH (H) (in.)		As1	As2	As3	As4	As5	As6	As7	As8	As9	
9' x 5'	9.5	9.5	9	4	0.33' - <2'	0.41	0.62	0.53	0.22	0.23	0.23	0.34	0.38	-	
	9	9	9	to	2' - <3'	0.44	0.65	0.54	0.11	-	-	-	-	54	
					3' - <5'	0.39	0.53	0.51	0.11	-	-	-	-	49	
					5' - 10'	0.35	0.42	0.44	0.11	-	-	-	-	49	
					15'	0.50	0.56	0.55	0.11	-	-	-	-	44	
	9.5	11	9	8 to	20'	0.65	0.75	0.73	0.11	-	-	-	-	44	
30'					0.77	0.92	0.90	0.11	-	-	-	-	44		
9' x 6'	9.5	9.5	9	4	0.33' - <2'	0.38	0.64	0.56	0.23	0.23	0.23	0.33	0.37	-	
	9	9	9	to	2' - <3'	0.43	0.67	0.57	0.11	-	-	-	-	54	
					3' - <5'	0.37	0.55	0.54	0.11	-	-	-	-	49	
					5' - 10'	0.35	0.45	0.47	0.11	-	-	-	-	49	
					15'	0.49	0.60	0.59	0.11	-	-	-	-	44	
	9.5	11	9	8 to	20'	0.65	0.80	0.78	0.11	-	-	-	-	44	
30'					0.76	0.98	0.95	0.11	-	-	-	-	44		
9' x 7'	9.5	9.5	9	4	0.33' - <2'	0.37	0.67	0.59	0.22	0.23	0.23	0.32	0.37	-	
	9	9	9	to	2' - <3'	0.42	0.69	0.60	0.11	-	-	-	-	59	
					3' - <5'	0.37	0.58	0.56	0.11	-	-	-	-	54	
					5' - 10'	0.36	0.47	0.49	0.11	-	-	-	-	49	
					15'	0.50	0.63	0.63	0.11	-	-	-	-	44	
	9.5	11	9	8 to	20'	0.66	0.84	0.80	0.11	-	-	-	-	44	
30'					0.77	1.02	1.00	0.11	-	-	-	-	44		
9' x 8'	9.5	9.5	9	4	0.33' - <2'	0.37	0.68	0.61	0.22	0.23	0.23	0.31	0.37	-	
	9	9	9	to	2' - <3'	0.42	0.71	0.62	0.11	-	-	-	-	59	
					3' - <5'	0.37	0.60	0.59	0.11	-	-	-	-	59	
					5' - 10'	0.38	0.49	0.51	0.11	-	-	-	-	54	
					15'	0.53	0.66	0.66	0.11	-	-	-	-	44	
	9.5	11	9	8 to	20'	0.68	0.88	0.87	0.11	-	-	-	-	44	
30'					0.81	1.07	1.05	0.11	-	-	-	-	44		
9' x 9'	9.5	9.5	9	4	0.33' - <2'	0.38	0.70	0.63	0.22	0.23	0.23	0.32	0.38	-	
	9	9	9	to	2' - <3'	0.43	0.73	0.65	0.15	-	-	-	-	72	
					3' - <5'	0.38	0.62	0.61	0.15	-	-	-	-	72	
					5' - 10'	0.41	0.50	0.53	0.14	-	-	-	-	59	
					15'	0.57	0.69	0.70	0.12	-	-	-	-	49	
	9.5	11	9	8 to	20'	0.73	0.92	0.91	0.11	-	-	-	-	49	
30'					0.83	1.11	1.09	0.11	-	-	-	-	44		

See General Note 5

TABLE 6 – STANDARD PRECAST BOX CULVERT DESIGNS (2" COVER) – 10' SPANS

SPAN x RISE (S) (R) (ft.)	SLAB / WALL THICKNESS				DESIGN EARTH COVER ABOVE TOP SLAB	REINFORCEMENT AREAS (sq. in./ft.)									As1 EXT. LENGTH (M) (in.)
	TOP (Tt) (in.)	BOT. (Tb) (in.)	SIDE (Tw) (in.)	HAUNCH (H) (in.)		As1	As2	As3	As4	As5	As6	As7	As8	As9	
10' x 5'	10	10	10	4 to	0.33' - <2'	0.46	0.62	0.52	0.24	0.24	0.24	0.41	0.45	-	
					2' - <3'	0.46	0.62	0.52	0.12	-	-	-	-	58	
					3' - <5'	0.42	0.54	0.50	0.12	-	-	-	-	53	
					5' - 10'	0.38	0.46	0.49	0.12	-	-	-	-	52	
	10.5	12	10	8 to	15'	0.52	0.59	0.58	0.12	-	-	-	-	47	
					20'	0.69	0.78	0.76	0.12	-	-	-	-	47	
10' x 6'	10	10	10	4 to	0.33' - <2'	0.44	0.64	0.54	0.24	0.24	0.24	0.39	0.44	-	
					2' - <3'	0.44	0.64	0.54	0.12	-	-	-	-	58	
					3' - <5'	0.39	0.57	0.52	0.12	-	-	-	-	52	
					5' - 10'	0.37	0.48	0.52	0.12	-	-	-	-	52	
	10.5	12	10	8 to	15'	0.51	0.62	0.61	0.12	-	-	-	-	47	
					20'	0.67	0.83	0.80	0.12	-	-	-	-	47	
10' x 7'	10	10	10	4 to	0.33' - <2'	0.43	0.66	0.57	0.24	0.24	0.24	0.38	0.43	-	
					2' - <3'	0.43	0.66	0.57	0.12	-	-	-	-	58	
					3' - <5'	0.38	0.59	0.55	0.12	-	-	-	-	58	
					5' - 10'	0.37	0.50	0.54	0.12	-	-	-	-	52	
	10.5	12	10	8 to	15'	0.52	0.66	0.65	0.12	-	-	-	-	47	
					20'	0.67	0.87	0.85	0.12	-	-	-	-	47	
10' x 8'	10	10	10	4 to	0.33' - <2'	0.43	0.68	0.60	0.24	0.24	0.24	0.38	0.43	-	
					2' - <3'	0.43	0.68	0.60	0.12	-	-	-	-	64	
					3' - <5'	0.38	0.62	0.57	0.12	-	-	-	-	58	
					5' - 10'	0.38	0.52	0.57	0.12	-	-	-	-	52	
	10.5	12	10	8 to	15'	0.53	0.69	0.68	0.12	-	-	-	-	47	
					20'	0.68	0.91	0.89	0.12	-	-	-	-	47	
10' x 9'	10	10	10	4 to	0.33' - <2'	0.43	0.70	0.62	0.24	0.24	0.24	0.38	0.43	-	
					2' - <3'	0.43	0.70	0.62	0.12	-	-	-	-	70	
					3' - <5'	0.39	0.64	0.60	0.12	-	-	-	-	64	
					5' - 10'	0.40	0.54	0.59	0.12	-	-	-	-	58	
	10.5	12	10	8 to	15'	0.56	0.72	0.72	0.12	-	-	-	-	52	
					20'	0.71	0.95	0.94	0.12	-	-	-	-	47	
10' x 10'	10	10	10	4 to	0.33' - <2'	0.44	0.71	0.64	0.24	0.24	0.24	0.38	0.44	-	
					2' - <3'	0.44	0.71	0.64	0.17	-	-	-	-	79	
					3' - <5'	0.40	0.65	0.62	0.16	-	-	-	-	70	
					5' - 10'	0.44	0.56	0.61	0.15	-	-	-	-	64	
	10.5	12	10	8 to	15'	0.60	0.75	0.76	0.12	-	-	-	-	52	
					20'	0.76	0.99	0.99	0.12	-	-	-	-	52	

See General Note 5

NOTES:

1. See Sheet 1 for Reinforcing Details and dimension locations.
2. See Sheet 2 for General Notes.
3. See Sheet 14 for WWR Bending Diagram.



2008 FDOT Design Standards

STANDARD PRECAST CONCRETE BOX CULVERTS

Last Revision
07/01/07
Sheet No.
5 of 14
Index No.
292

TABLE 7 - STANDARD PRECAST BOX CULVERT DESIGNS (2" COVER) - 11' SPANS

SPAN x RISE (S) (R) (ft.)	SLAB / WALL THICKNESS				DESIGN EARTH COVER ABOVE TOP SLAB	REINFORCEMENT AREAS (sq. in./ft.)									As1 EXT. LENGTH (M) (in.)
	TOP (Tt) (in.)	BOT. (Tb) (in.)	SIDE (Tw) (in.)	HAUNCH (H) (in.)		As1	As2	As3	As4	As5	As6	As7	As8	As9	
11' x 4'	11	11	11	4	0.33' - <2'	0.51	0.57	0.47	0.27	0.27	0.27	0.45	0.48	-	
				2' - <3'	0.51	0.57	0.47	0.14	-	-	-	-	-	62	
				3' - <5'	0.48	0.57	0.46	0.14	-	-	-	-	-	62	
				5' - 10'	0.47	0.50	0.50	0.14	-	-	-	-	-	55	
				12	15'	0.59	0.58	0.56	0.14	-	-	-	-	55	
				20'	0.77	0.77	0.74	0.14	-	-	-	-	-	55	
	11.5	11.5	11	8 to 12	25'	0.92	0.95	0.91	0.14	-	-	-	-	55	
	13	13	11	12	30'	0.94	1.09	1.06	0.14	-	-	-	-	55	
	11' x 6'	11	11	11	4	0.33' - <2'	0.45	0.62	0.52	0.27	0.27	0.27	0.41	0.45	-
					2' - <3'	0.45	0.62	0.52	0.14	-	-	-	-	-	62
3' - <5'					0.42	0.58	0.51	0.14	-	-	-	-	-	55	
5' - 10'					0.43	0.56	0.56	0.14	-	-	-	-	-	55	
12					15'	0.54	0.65	0.64	0.14	-	-	-	-	50	
20'					0.70	0.86	0.83	0.14	-	-	-	-	-	50	
11.5		11.5	11	8 to 12	25'	0.83	1.07	1.03	0.14	-	-	-	-	50	
13		13	11	12	30'	0.85	1.22	1.19	0.14	-	-	-	-	50	
11' x 8'		11	11	11	4	0.33' - <2'	0.42	0.67	0.57	0.27	0.27	0.27	0.39	0.43	-
					2' - <3'	0.43	0.67	0.57	0.14	-	-	-	-	-	62
	3' - <5'				0.39	0.63	0.56	0.14	-	-	-	-	-	62	
	5' - 10'				0.43	0.60	0.61	0.14	-	-	-	-	-	55	
	12				15'	0.54	0.72	0.71	0.14	-	-	-	-	50	
	20'				0.70	0.94	0.92	0.14	-	-	-	-	-	50	
	11.5	11.5	11	8 to 12	25'	0.82	1.16	1.13	0.14	-	-	-	-	50	
	13	13	11	12	30'	0.86	1.32	1.30	0.14	-	-	-	-	50	
	11' x 10'	11	11	11	4	0.33' - <2'	0.44	0.71	0.62	0.27	0.27	0.27	0.38	0.44	-
					2' - <3'	0.44	0.71	0.62	0.14	-	-	-	-	-	75
3' - <5'					0.41	0.67	0.61	0.14	-	-	-	-	-	69	
5' - 10'					0.47	0.64	0.66	0.14	-	-	-	-	-	62	
12					15'	0.59	0.78	0.78	0.14	-	-	-	-	55	
20'					0.75	1.03	1.01	0.14	-	-	-	-	-	50	
11.5		12	11	8 to 12	25'	0.85	1.24	1.22	0.14	-	-	-	-	50	
13		13.5	11	12	30'	0.91	1.40	1.39	0.14	-	-	-	-	50	
11' x 11'		11	11	11	4	0.33' - <2'	0.45	0.72	0.64	0.27	0.27	0.27	0.39	0.45	-
					2' - <3'	0.45	0.72	0.64	0.18	-	-	-	-	-	86
	3' - <5'				0.42	0.69	0.63	0.18	-	-	-	-	-	75	
	5' - 10'				0.51	0.66	0.69	0.16	-	-	-	-	-	69	
	12				15'	0.63	0.81	0.82	0.14	-	-	-	-	55	
	20'				0.80	1.07	1.06	0.14	-	-	-	-	-	55	
	11.5	12	11	8 to 12	25'	0.91	1.29	1.27	0.14	-	-	-	-	50	
	13	13.5	11	12	30'	0.99	1.44	1.44	0.14	-	-	-	-	50	

See General Note 5

TABLE 8 - STANDARD PRECAST BOX CULVERT DESIGNS (2" COVER) - 12' SPANS

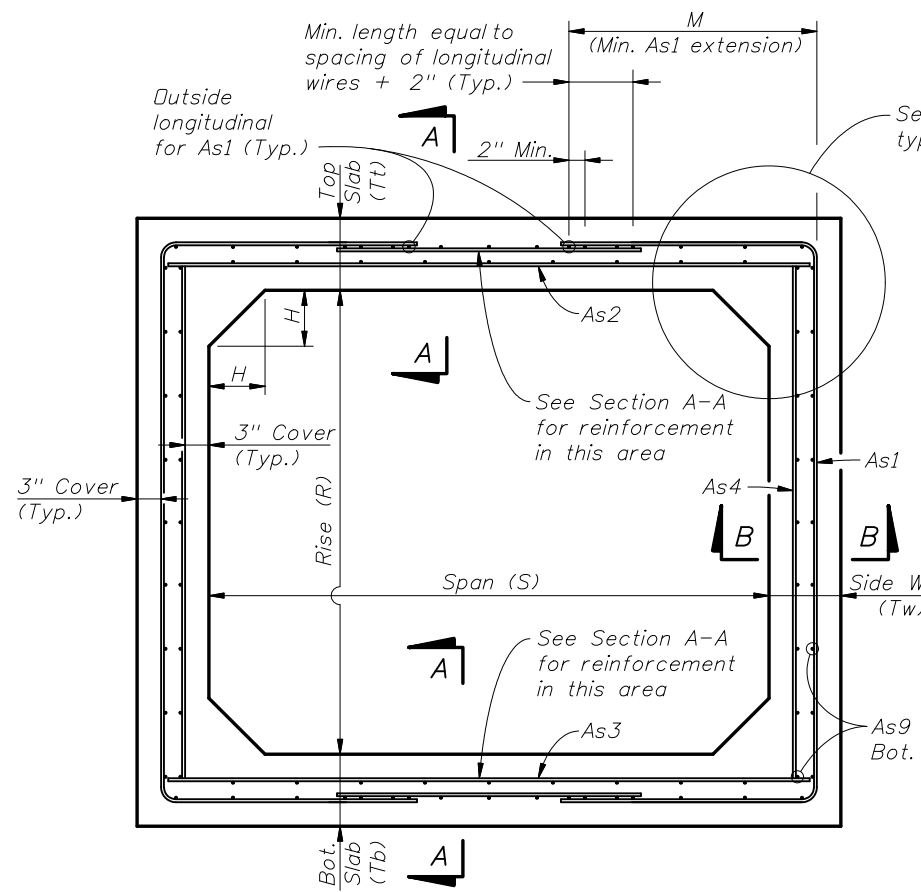
SPAN x RISE (S) (R) (ft.)	SLAB / WALL THICKNESS				DESIGN EARTH COVER ABOVE TOP SLAB	REINFORCEMENT AREAS (sq. in./ft.)									As1 EXT. LENGTH (M) (in.)
	TOP (Tt) (in.)	BOT. (Tb) (in.)	SIDE (Tw) (in.)	HAUNCH (H) (in.)		As1	As2	As3	As4	As5	As6	As7	As8	As9	
12' x 4'	12	12	12	4	0.33' - <2'	0.52	0.57	0.45	0.29	0.29	0.29	0.47	0.49	-	
				2' - <3'	0.52	0.57	0.45	0.15	-	-	-	-	-	73	
				3' - <5'	0.50	0.54	0.45	0.15	-	-	-	-	-	66	
				5' - 10'	0.50	0.52	0.52	0.15	-	-	-	-	-	66	
				12	15'	0.63	0.61	0.59	0.15	-	-	-	-	59	
				20'	0.82	0.81	0.77	0.15	-	-	-	-	-	59	
	12.5	12.5	12	8 to 12	25'	0.99	0.99	0.95	0.15	-	-	-	-	59	
	14	14	12	12	30'	1.03	1.15	1.11	0.15	-	-	-	-	59	
	12' x 6'	12	12	12	4	0.33' - <2'	0.47	0.62	0.51	0.29	0.29	0.29	0.42	0.46	-
					2' - <3'	0.47	0.62	0.51	0.15	-	-	-	-	-	66
3' - <5'					0.45	0.60	0.51	0.15	-	-	-	-	-	59	
5' - 10'					0.47	0.59	0.59	0.15	-	-	-	-	-	59	
12					15'	0.57	0.68	0.66	0.15	-	-	-	-	53	
20'					0.74	0.90	0.86	0.15	-	-	-	-	-	53	
12.5		12.5	12	8 to 12	25'	0.88	1.11	1.06	0.15	-	-	-	-	53	
14		14.5	12	12	30'	0.92	1.27	1.24	0.15	-	-	-	-	53	
12' x 8'		12	12	12	4	0.33' - <2'	0.44	0.67	0.56	0.29	0.29	0.29	0.40	0.44	-
					2' - <3'	0.44	0.67	0.56	0.15	-	-	-	-	-	66
	3' - <5'				0.41	0.64	0.56	0.15	-	-	-	-	-	59	
	5' - 10'				0.45	0.63	0.64	0.15	-	-	-	-	-	59	
	12				15'	0.56	0.75	0.73	0.15	-	-	-	-	53	
	20'				0.72	0.98	0.95	0.15	-	-	-	-	-	53	
	12.5	13	12	8 to 12	25'	0.85	1.20	1.16	0.15	-	-	-	-	53	
	14	14.5	12	12	30'	0.89	1.38	1.35	0.15	-	-	-	-	53	
	12' x 10'	12	12	12	4	0.33' - <2'	0.44	0.71	0.60	0.29	0.29	0.29	0.39	0.44	-
					2' - <3'	0.44	0.71	0.60	0.15	-	-	-	-	-	73
3' - <5'					0.42	0.68	0.60	0.15	-	-	-	-	-	66	
5' - 10'					0.47	0.67	0.69	0.15	-	-	-	-	-	59	
12					15'	0.59	0.81	0.81	0.15	-	-	-	-	53	
20'					0.75	1.06	1.04	0.15	-	-	-	-	-	53	
12.5		13	12	8 to 12	25'	0.87	1.30	1.26	0.15	-	-	-	-	53	
14		14.5	12	12	30'	0.92	1.47	1.45	0.15	-	-	-	-	53	
12' x 12'		12	12	12	4	0.33' - <2'	0.46	0.74	0.64	0.29	0.29	0.29	0.40	0.46	-
					2' - <3'	0.46	0.74	0.64	0.20	-	-	-	-	-	93
	3' - <5'				0.42	0.72	0.64	0.20	-	-	-	-	-	80	
	5' - 10'				0.54	0.71	0.74	0.18	-	-	-	-	-	73	
	12				15'	0.66	0.87	0.89	0.15	-	-	-	-	59	
	20'				0.83	1.14	1.13	0.15	-	-	-	-	-	59	
	12.5	13	12	8 to 12	25'	0.96	1.39	1.37	0.15	-	-	-	-	53	
	14	14.5	12.5	12	30'	1.05	1.56	1.56	0.15	-	-	-	-	53	

See General Note 5

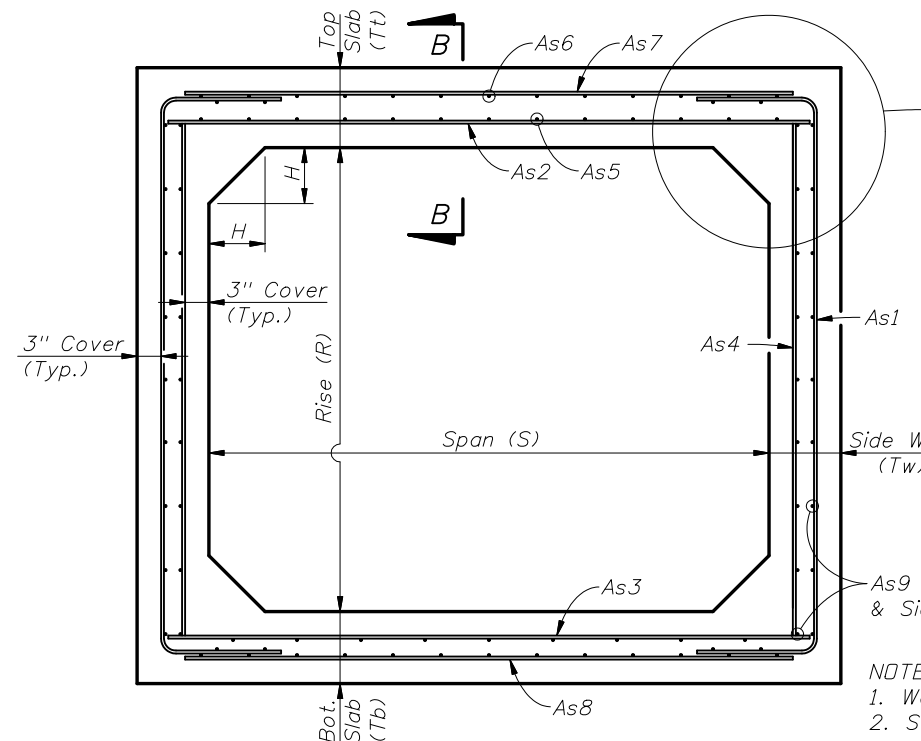
NOTES:

1. See Sheet 1 for Reinforcing Details and dimension locations.
2. See Sheet 2 for General Notes.
3. See Sheet 14 for Welded Wire Reinforcement Bending Diagram.

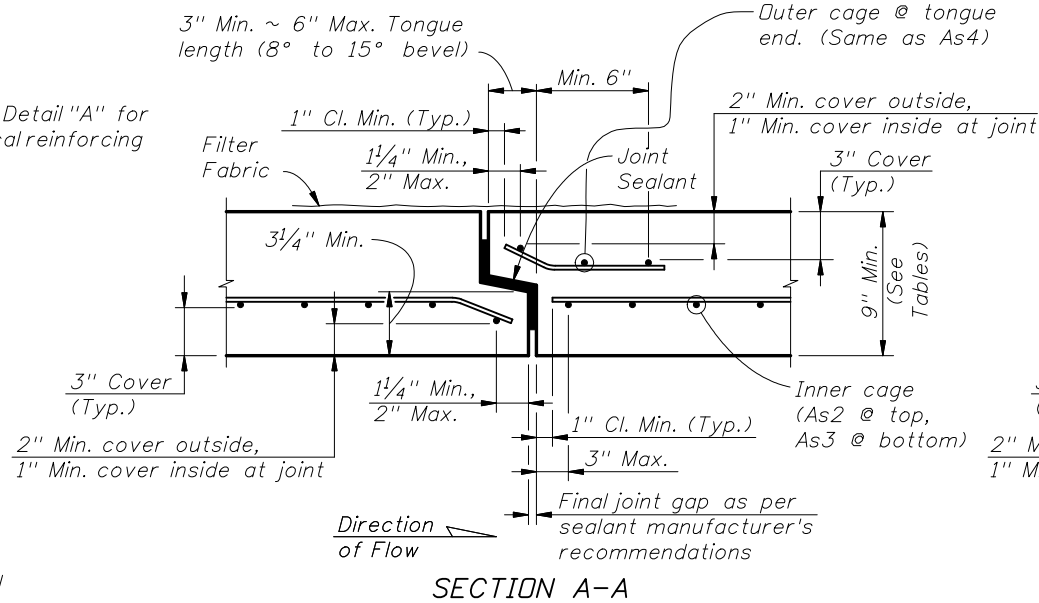




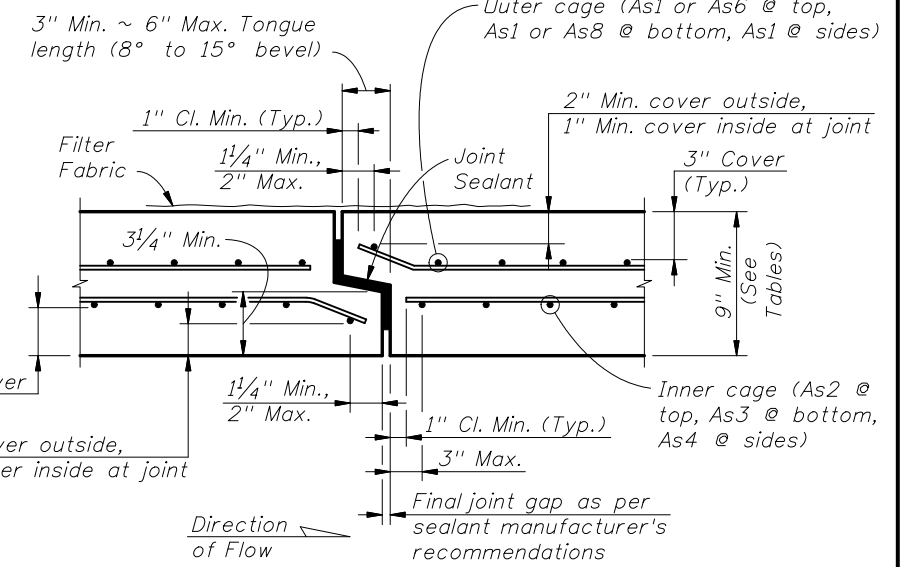
TYPICAL BOX SECTION (TYPE 2)
DESIGN EARTH COVER 2' OR GREATER



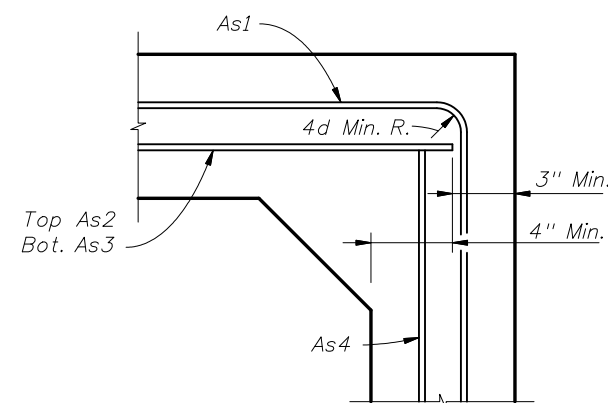
TYPICAL BOX SECTION (TYPE 1)
DESIGN EARTH COVER LESS THAN 2'



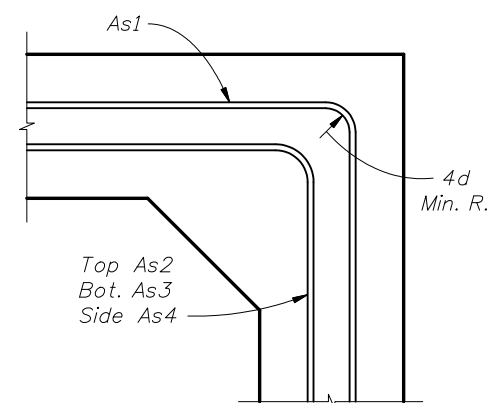
SECTION A-A



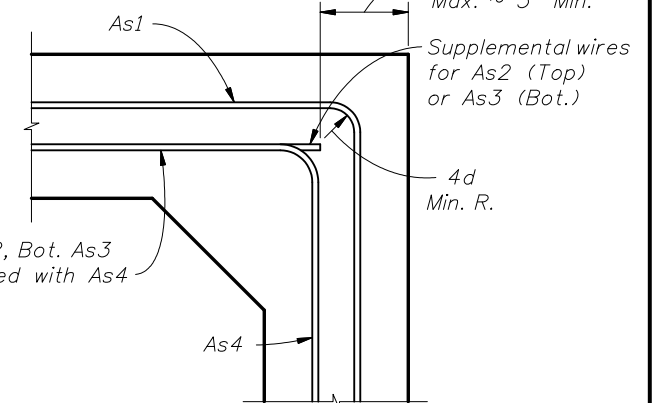
SECTION B-B
TYPICAL SECTION THRU JOINT



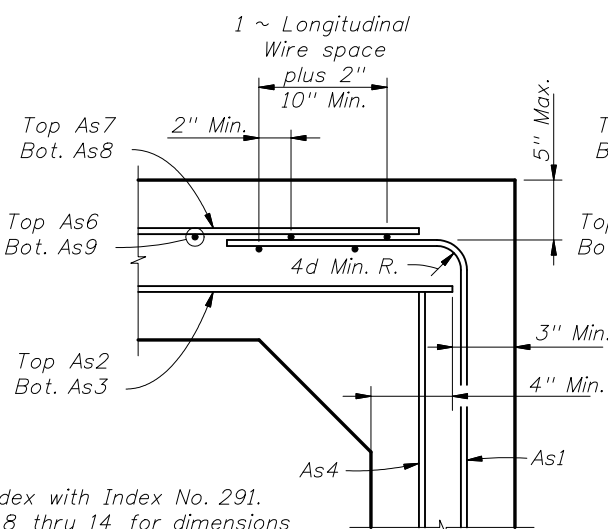
DETAIL "A"
(OPTION 1)



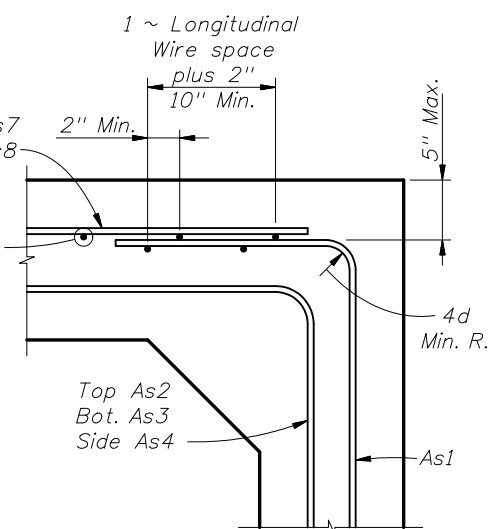
DETAIL "A"
(OPTION 2)



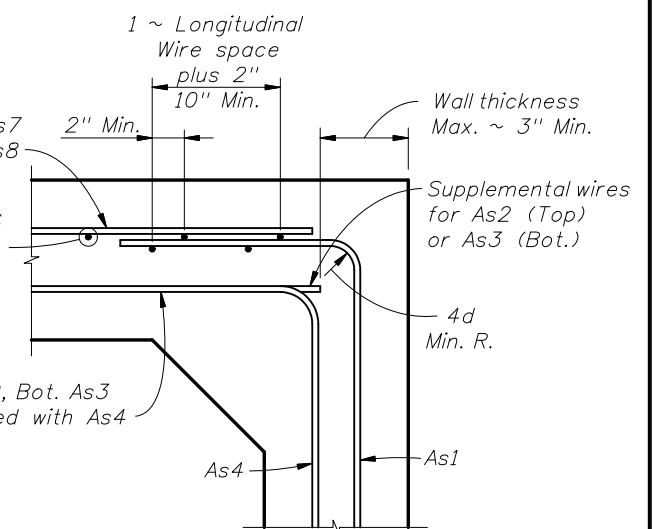
DETAIL "A"
(OPTION 3)



DETAIL "B"
(OPTION 1)



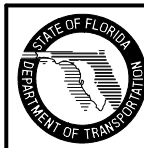
DETAIL "B"
(OPTION 2)



DETAIL "B"
(OPTION 3)

- NOTES:
1. Work this Index with Index No. 291.
2. See Sheets 8 thru 14 for dimensions and areas of reinforcement.

STANDARD PRECAST BOX CULVERT WITH 3" CONCRETE COVER



2008 FDOT Design Standards

STANDARD PRECAST CONCRETE BOX CULVERTS

Last Revision	Sheet No.
01/01/07	7 of 14
Index No.	
292	

TABLE 9A - STANDARD PRECAST BOX CULVERT DESIGNS (3" COVER) - 3' & 4' SPANS

SPAN x RISE (S) (R) (ft.)	SLAB / WALL THICKNESS				DESIGN EARTH COVER ABOVE TOP SLAB	REINFORCEMENT AREAS (sq. in./ft.)									As1 EXT. LENGTH (M) (in.)
	TOP (Tt) (in.)	BOT. (Tb) (in.)	SIDE (Tw) (in.)	HAUNCH (H) (in.)		As1	As2	As3	As4	As5	As6	As7	As8	As9	
3' x 3'	9	9	9	4	0.33' - <2'	0.22	0.24	0.22	0.22	0.22	0.22	0.22	0.22	0.22	-
					2' - <3'	0.11	0.23	0.22	0.11	-	-	-	-	-	31
					3' - <5'	0.11	0.22	0.22	0.11	-	-	-	-	-	31
					5' - 10'	0.11	0.22	0.22	0.11	-	-	-	-	-	31
					15'	0.11	0.22	0.22	0.11	-	-	-	-	-	31
				8	20'	0.13	0.22	0.22	0.11	-	-	-	-	-	31
					25'	0.16	0.22	0.22	0.11	-	-	-	-	-	31
					30'	0.19	0.24	0.25	0.11	-	-	-	-	-	31
					35'	0.22	0.28	0.29	0.11	-	-	-	-	-	31
4' x 3'	9	9	9	4	0.33' - <2'	0.22	0.32	0.24	0.22	0.22	0.22	0.22	0.22	-	
					2' - <3'	0.17	0.31	0.24	0.11	-	-	-	-	-	38
					3' - <5'	0.13	0.22	0.22	0.11	-	-	-	-	-	38
					5' - 10'	0.13	0.22	0.22	0.11	-	-	-	-	-	38
					15'	0.17	0.22	0.22	0.11	-	-	-	-	-	38
				8	20'	0.23	0.26	0.27	0.11	-	-	-	-	-	38
					25'	0.28	0.32	0.34	0.11	-	-	-	-	-	38
					30'	0.33	0.39	0.40	0.11	-	-	-	-	-	38
4' x 4'	9	9	9	4	0.33' - <2'	0.22	0.34	0.26	0.22	0.22	0.22	0.22	0.22	-	
					2' - <3'	0.17	0.33	0.26	0.11	-	-	-	-	-	38
					3' - <5'	0.13	0.22	0.22	0.11	-	-	-	-	-	38
					5' - 10'	0.14	0.22	0.22	0.11	-	-	-	-	-	38
					15'	0.19	0.22	0.23	0.11	-	-	-	-	-	38
				8	20'	0.24	0.28	0.30	0.11	-	-	-	-	-	38
					25'	0.29	0.36	0.37	0.11	-	-	-	-	-	38
					30'	0.34	0.43	0.45	0.11	-	-	-	-	-	38

See General Note 5

TABLE 9B - STANDARD PRECAST BOX CULVERT DESIGNS (3" COVER) - 3' & 4' SPANS

SPAN x RISE (S) (R) (ft.)	SLAB / WALL THICKNESS				DESIGN EARTH COVER ABOVE TOP SLAB	REINFORCEMENT AREAS (sq. in./ft.)									As1 EXT. LENGTH (M) (in.)
	TOP (Tt) (in.)	BOT. (Tb) (in.)	SIDE (Tw) (in.)	HAUNCH (H) (in.)		As1	As2	As3	As4	As5	As6	As7	As8	As9	
3' x 3'	10	10	10	4	0.33' - <2'	0.24	0.24	0.24	0.24	0.24	0.24	0.24	0.24	-	
					2' - <3'	0.12	0.24	0.24	0.24	-	-	-	-	-	31
					3' - <5'	0.12	0.24	0.24	0.24	-	-	-	-	-	31
					5' - 10'	0.12	0.24	0.24	0.24	-	-	-	-	-	31
					15'	0.12	0.24	0.24	0.24	-	-	-	-	-	31
				8	20'	0.12	0.24	0.24	0.24	-	-	-	-	-	31
					25'	0.13	0.24	0.24	0.24	-	-	-	-	-	31
					30'	0.15	0.24	0.24	0.12	-	-	-	-	-	31
					35'	0.18	0.24	0.24	0.12	-	-	-	-	-	31
4' x 3'	10	10	10	4	0.33' - <2'	0.24	0.26	0.24	0.24	0.24	0.24	0.24	0.24	-	
					2' - <3'	0.14	0.26	0.24	0.12	-	-	-	-	-	38
					3' - <5'	0.12	0.24	0.24	0.12	-	-	-	-	-	38
					5' - 10'	0.12	0.24	0.24	0.12	-	-	-	-	-	38
					15'	0.14	0.24	0.24	0.12	-	-	-	-	-	38
				8	20'	0.18	0.24	0.24	0.12	-	-	-	-	-	38
					25'	0.22	0.26	0.27	0.12	-	-	-	-	-	38
					30'	0.26	0.31	0.32	0.12	-	-	-	-	-	38
4' x 4'	10	10	10	4	0.33' - <2'	0.24	0.28	0.24	0.24	0.24	0.24	0.24	0.24	-	
					2' - <3'	0.14	0.28	0.24	0.12	-	-	-	-	-	38
					3' - <5'	0.12	0.24	0.24	0.12	-	-	-	-	-	38
					5' - 10'	0.12	0.24	0.24	0.12	-	-	-	-	-	38
					15'	0.15	0.24	0.24	0.12	-	-	-	-	-	38
				8	20'	0.19	0.24	0.24	0.12	-	-	-	-	-	38
					25'	0.23	0.28	0.30	0.12	-	-	-	-	-	38
					30'	0.27	0.34	0.35	0.12	-	-	-	-	-	38

See General Note 5

NOTES:

1. See Sheet 2 for General Notes.
2. See Sheet 7 for Reinforcing Details and dimension locations.
3. See Sheet 14 for WWR Bending Diagrams.



TABLE 11A – STANDARD PRECAST BOX CULVERT DESIGNS (3" COVER) – 7' SPANS

SPAN x RISE (S) (R) (ft.)	SLAB / WALL THICKNESS				DESIGN EARTH COVER ABOVE TOP SLAB	REINFORCEMENT AREAS (sq. in./ft.)									As1 EXT. LENGTH (M) (in.)	
	TOP (Tt) (in.)	BOT. (Tb) (in.)	SIDE (Tw) (in.)	HAUNCH (H) (in.)		As1	As2	As3	As4	As5	As6	As7	As8	As9		
7' x 4'	9	9	9	4	0.33' – <2'	0.42	0.58	0.52	0.22	0.22	0.22	0.31	0.42	See General Note 5	-	
					2' – <3'	0.42	0.58	0.51	0.11	-	-	-	-		43	
					3' – <5'	0.36	0.41	0.44	0.11	-	-	-	-		43	
					5' – 10'	0.39	0.40	0.39	0.11	-	-	-	-		43	
					15'	0.56	0.56	0.58	0.11	-	-	-	-		41	
	9	9.5	9	7 to 12	12	20'	0.74	0.76	0.77	0.11	-	-	-		-	41
					25'	0.92	0.97	0.97	0.11	-	-	-	-		41	
					30'	1.09	1.18	1.10	0.11	-	-	-	-		41	
					0.33' – <2'	0.41	0.61	0.55	0.22	0.23	0.22	0.30	0.41		-	
					2' – <3'	0.41	0.61	0.55	0.11	-	-	-	-		47	
7' x 5'	9	9	9	4	3' – <5'	0.37	0.43	0.47	0.11	-	-	-	-	43		
					5' – 10'	0.39	0.41	0.43	0.11	-	-	-	-	43		
					15'	0.56	0.61	0.63	0.11	-	-	-	-	41		
					20'	0.73	0.82	0.83	0.11	-	-	-	-	41		
					25'	0.90	1.04	1.06	0.11	-	-	-	-	41		
	9	9.5	9	7 to 12	30'	1.06	1.26	1.19	0.11	-	-	-	-	41		
					0.33' – <2'	0.42	0.63	0.58	0.22	0.24	0.22	0.30	0.42	-		
					2' – <3'	0.42	0.63	0.58	0.11	-	-	-	-	59		
					3' – <5'	0.38	0.45	0.50	0.11	-	-	-	-	47		
					5' – 10'	0.41	0.44	0.47	0.11	-	-	-	-	43		
7' x 6'	9	9	9	4	15'	0.57	0.65	0.68	0.11	-	-	-	-	41		
					20'	0.75	0.87	0.90	0.11	-	-	-	-	41		
					25'	0.93	1.11	1.13	0.11	-	-	-	-	41		
					30'	1.07	1.35	1.27	0.11	-	-	-	-	41		
					0.33' – <2'	0.44	0.66	0.61	0.22	0.25	0.22	0.31	0.44	-		
	7' x 7'	9	9	9	4	2' – <3'	0.44	0.65	0.61	0.11	-	-	-	-	59	
						3' – <5'	0.41	0.47	0.52	0.11	-	-	-	-	59	
						5' – 10'	0.44	0.47	0.52	0.11	-	-	-	-	47	
						15'	0.62	0.69	0.74	0.11	-	-	-	-	43	
						20'	0.80	0.93	0.97	0.11	-	-	-	-	43	
9		9.5	9	7 to 12	25'	0.99	1.18	1.22	0.11	-	-	-	-	43		
					30'	1.12	1.43	1.36	0.11	-	-	-	-	41		

TABLE 11B – STANDARD PRECAST BOX CULVERT DESIGNS (3" COVER) – 7' SPANS

SPAN x RISE (S) (R) (ft.)	SLAB / WALL THICKNESS				DESIGN EARTH COVER ABOVE TOP SLAB	REINFORCEMENT AREAS (sq. in./ft.)									As1 EXT. LENGTH (M) (in.)	
	TOP (Tt) (in.)	BOT. (Tb) (in.)	SIDE (Tw) (in.)	HAUNCH (H) (in.)		As1	As2	As3	As4	As5	As6	As7	As8	As9		
7' x 4'	10	10	10	4	0.33' – <2'	0.33	0.49	0.44	0.24	0.24	0.24	0.24	0.33	See General Note 5	-	
					2' – <3'	0.33	0.49	0.44	0.12	-	-	-	-		43	
					3' – <5'	0.29	0.35	0.38	0.12	-	-	-	-		43	
					5' – 10'	0.31	0.30	0.31	0.12	-	-	-	-		43	
					15'	0.44	0.44	0.45	0.12	-	-	-	-		41	
	10	10	10	7 to 12	12	20'	0.58	0.59	0.60	0.12	-	-	-		-	41
					25'	0.71	0.74	0.75	0.12	-	-	-	-		41	
					30'	0.85	0.91	0.91	0.12	-	-	-	-		41	
					0.33' – <2'	0.32	0.51	0.47	0.24	0.24	0.24	0.24	0.32		-	
					2' – <3'	0.32	0.51	0.47	0.12	-	-	-	-		47	
7' x 5'	10	10	10	4	3' – <5'	0.29	0.37	0.41	0.12	-	-	-	-	43		
					5' – 10'	0.31	0.32	0.35	0.12	-	-	-	-	43		
					15'	0.44	0.47	0.50	0.12	-	-	-	-	41		
					20'	0.57	0.63	0.65	0.12	-	-	-	-	41		
					25'	0.70	0.80	0.82	0.12	-	-	-	-	41		
	10	10	10	7 to 12	30'	0.84	0.97	0.99	0.12	-	-	-	-	41		
					0.33' – <2'	0.33	0.53	0.50	0.24	0.24	0.24	0.24	0.33	-		
					2' – <3'	0.33	0.53	0.50	0.12	-	-	-	-	59		
					3' – <5'	0.30	0.38	0.43	0.12	-	-	-	-	47		
					5' – 10'	0.33	0.35	0.38	0.12	-	-	-	-	43		
7' x 6'	10	10	10	4	15'	0.45	0.51	0.54	0.12	-	-	-	-	41		
					20'	0.58	0.68	0.70	0.12	-	-	-	-	41		
					25'	0.72	0.85	0.88	0.12	-	-	-	-	41		
					30'	0.85	1.04	1.06	0.12	-	-	-	-	41		
					0.33' – <2'	0.35	0.55	0.52	0.24	0.24	0.24	0.24	0.35	-		
	7' x 7'	10	10	10	4	2' – <3'	0.35	0.55	0.52	0.12	-	-	-	-	59	
						3' – <5'	0.32	0.40	0.46	0.12	-	-	-	-	59	
						5' – 10'	0.35	0.37	0.41	0.12	-	-	-	-	47	
						15'	0.48	0.54	0.58	0.12	-	-	-	-	43	
						20'	0.62	0.72	0.76	0.12	-	-	-	-	43	
10		10	10	7 to 12	25'	0.76	0.90	0.94	0.12	-	-	-	-	43		
					30'	0.90	1.10	1.13	0.12	-	-	-	-	41		

NOTES:

1. See Sheet 2 for General Notes.
2. See Sheet 7 for Reinforcing Details and dimension locations.
3. See Sheet 14 for WWR Bending Diagrams.



TABLE 12A - STANDARD PRECAST BOX CULVERT DESIGNS (3" COVER) - 8' SPANS

SPAN x RISE (S) (R) (ft.)	SLAB / WALL THICKNESS				DESIGN EARTH COVER ABOVE TOP SLAB	REINFORCEMENT AREAS (sq. in./ft.)									As1 EXT. LENGTH (M) (in.)	
	TOP (Tt) (in.)	BOT. (Tb) (in.)	SIDE (Tw) (in.)	HAUNCH (H) (in.)		As1	As2	As3	As4	As5	As6	As7	As8	As9		
8' x 4'	9	9	9	4	0.33' - <2'	0.52	0.66	0.57	0.22	0.24	0.22	0.42	0.52	-		
				2' - <3'	0.52	0.66	0.57	0.11	-	-	-	-	-	-	50	
				3' - <5'	0.48	0.49	0.52	0.11	-	-	-	-	-	-	-	50
				5' - 10'	0.52	0.48	0.49	0.11	-	-	-	-	-	-	-	45
				15'	0.75	0.72	0.72	0.11	-	-	-	-	-	-	-	41
	12	20'	1.00	0.98	0.97	0.11	-	-	-	-	-	-	-	41		
		25'	1.25	1.24	1.14	0.11	-	-	-	-	-	-	-	41		
		30'	1.31	1.29	1.21	0.11	-	-	-	-	-	-	-	41		
		9	9.5	9	8 to	25'	1.25	1.24	1.14	0.11	-	-	-	-	41	
		10	10.5	9	12	30'	1.31	1.29	1.21	0.11	-	-	-	-	41	
8' x 5'	9	9	9	4	0.33' - <2'	0.51	0.69	0.60	0.22	0.25	0.22	0.40	0.51	-		
				2' - <3'	0.51	0.69	0.60	0.11	-	-	-	-	-	-	50	
				3' - <5'	0.46	0.52	0.56	0.11	-	-	-	-	-	-	45	
				5' - 10'	0.51	0.51	0.53	0.11	-	-	-	-	-	-	45	
				15'	0.74	0.77	0.78	0.11	-	-	-	-	-	-	41	
	12	20'	0.97	1.05	1.05	0.11	-	-	-	-	-	-	41			
		25'	1.20	1.33	1.23	0.11	-	-	-	-	-	-	41			
		30'	1.26	1.38	1.30	0.11	-	-	-	-	-	-	41			
		9	9.5	9	8 to	25'	1.20	1.33	1.23	0.11	-	-	-	-	41	
		10	10.5	9	12	30'	1.26	1.38	1.30	0.11	-	-	-	-	41	
8' x 6'	9	9	9	4	0.33' - <2'	0.51	0.72	0.64	0.22	0.26	0.22	0.39	0.51	-		
				2' - <3'	0.51	0.72	0.64	0.11	-	-	-	-	-	-	50	
				3' - <5'	0.47	0.55	0.59	0.11	-	-	-	-	-	-	50	
				5' - 10'	0.52	0.55	0.58	0.11	-	-	-	-	-	-	45	
				15'	0.74	0.83	0.85	0.11	-	-	-	-	-	-	41	
	12	20'	0.97	1.12	1.13	0.11	-	-	-	-	-	-	41			
		25'	1.18	1.42	1.32	0.11	-	-	-	-	-	-	41			
		30'	1.26	1.46	1.39	0.11	-	-	-	-	-	-	41			
		9	9.5	9	8 to	25'	1.18	1.42	1.32	0.11	-	-	-	-	41	
		10	10.5	9	12	30'	1.26	1.46	1.39	0.11	-	-	-	-	41	
8' x 7'	9	9	9	4	0.33' - <2'	0.52	0.74	0.67	0.22	0.26	0.22	0.40	0.52	-		
				2' - <3'	0.52	0.74	0.67	0.11	-	-	-	-	-	-	55	
				3' - <5'	0.49	0.57	0.62	0.11	-	-	-	-	-	-	55	
				5' - 10'	0.55	0.59	0.63	0.11	-	-	-	-	-	-	50	
				15'	0.77	0.88	0.91	0.11	-	-	-	-	-	-	41	
	12	20'	1.01	1.19	1.21	0.11	-	-	-	-	-	-	41			
		25'	1.21	1.51	1.41	0.11	-	-	-	-	-	-	41			
		30'	1.31	1.53	1.47	0.11	-	-	-	-	-	-	41			
		9	9.5	9	8 to	25'	1.21	1.51	1.41	0.11	-	-	-	-	41	
		10	10.5	9	12	30'	1.31	1.53	1.47	0.11	-	-	-	-	41	
8' x 8'	9	9	9	4	0.33' - <2'	0.55	0.77	0.70	0.22	0.27	0.22	0.41	0.55	-		
				2' - <3'	0.55	0.77	0.70	0.13	-	-	-	-	-	-	65	
				3' - <5'	0.53	0.59	0.64	0.12	-	-	-	-	-	-	65	
				5' - 10'	0.60	0.63	0.68	0.11	-	-	-	-	-	-	55	
				15'	0.83	0.93	0.98	0.11	-	-	-	-	-	-	45	
	12	20'	1.08	1.26	1.29	0.11	-	-	-	-	-	-	45			
		25'	1.28	1.59	1.50	0.11	-	-	-	-	-	-	41			
		30'	1.41	1.61	1.55	0.11	-	-	-	-	-	-	41			
		9	9.5	9	8 to	25'	1.28	1.59	1.50	0.11	-	-	-	-	41	
		10	10.5	9	12	30'	1.41	1.61	1.55	0.11	-	-	-	-	41	

See General Note 5

TABLE 12B - STANDARD PRECAST BOX CULVERT DESIGNS (3" COVER) - 8' SPANS

SPAN x RISE (S) (R) (ft.)	SLAB / WALL THICKNESS				DESIGN EARTH COVER ABOVE TOP SLAB	REINFORCEMENT AREAS (sq. in./ft.)									As1 EXT. LENGTH (M) (in.)
	TOP (Tt) (in.)	BOT. (Tb) (in.)	SIDE (Tw) (in.)	HAUNCH (H) (in.)		As1	As2	As3	As4	As5	As6	As7	As8	As9	
8' x 4'	10	10	10	4	0.33' - <2'	0.42	0.56	0.49	0.24	0.24	0.24	0.32	0.41	-	
				2' - <3'	0.42	0.56	0.49	0.12	-	-	-	-	-	-	50
				3' - <5'	0.38	0.42	0.46	0.12	-	-	-	-	-	-	50
				5' - 10'	0.41	0.38	0.39	0.12	-	-	-	-	-	-	45
				15'	0.59	0.56	0.57	0.12	-	-	-	-	-	-	41
	12	20'	0.78	0.75	0.76	0.12	-	-	-	-	-	-	41		
		25'	0.97	0.96	0.96	0.12	-	-	-	-	-	-	41		
		30'	1.15	1.16	1.10	0.12	-	-	-	-	-	-	41		
		10	10.5	10	8 to 12	30'	1.15	1.16	1.10	0.12	-	-	-	-	41
		8' x 5'	10	10	10	4	0.33' - <2'	0.40	0.58	0.52	0.24	0.24	0.24	0.31	0.40
2' - <3'	0.40					0.58	0.52	0.12	-	-	-	-	-	-	50
3' - <5'	0.37					0.45	0.48	0.12	-	-	-	-	-	-	45
5' - 10'	0.41					0.41	0.43	0.12	-	-	-	-	-	-	45
15'	0.58					0.60	0.62	0.12	-	-	-	-	-	-	41
12	20'		0.76	0.81	0.81	0.12	-	-	-	-	-	-	41		
	25'		0.94	1.03	1.03	0.12	-	-	-	-	-	-	41		
	30'		1.10	1.24	1.24	0.12	-	-	-	-	-	-	41		
	10		10.5	10	8 to 12	30'	1.10	1.24	1.24	0.12	-	-	-	-	41
	8' x 6'		10	10	10	4	0.33' - <2'	0.40	0.60	0.55	0.24	0.24	0.24	0.30	0.40
2' - <3'		0.40				0.60	0.55	0.12	-	-	-	-	-	-	50
3' - <5'		0.37				0.47	0.51	0.12	-	-	-	-	-	-	50
5' - 10'		0.42				0.43	0.46	0.12	-	-	-	-	-	-	45
15'		0.58				0.64	0.67	0.12	-	-	-	-	-	-	41
12		20'	0.76	0.86	0.88	0.12	-	-	-	-	-	-	41		
		25'	0.94	1.09	1.11	0.12	-	-	-	-	-	-	41		
		30'	1.09	1.32	1.26	0.12	-	-	-	-	-	-	41		
		10	10.5	10	8 to 12	30'	1.09	1.32	1.26	0.12	-	-	-	-	41
		8' x 7'	10	10	10	4	0.33' - <2'	0.41	0.63	0.58	0.24	0.24	0.24	0.30	0.41
2' - <3'	0.41					0.63	0.58	0.12	-	-	-	-	-	-	55
3' - <5'	0.39					0.49	0.53	0.12	-	-	-	-	-	-	55
5' - 10'	0.44					0.46	0.50	0.12	-	-	-	-	-	-	50
15'	0.61					0.68	0.72	0.12	-	-	-	-	-	-	45
12	20'		0.78	0.91	0.94	0.12	-	-	-	-	-	-	41		
	25'		0.97	1.16	1.18	0.12	-	-	-	-	-	-	41		
	30'		1.11	1.40	1.34	0.12	-	-	-	-	-	-	41		
	10		10.5	10	8 to 12	30'	1.11	1.40	1.34	0.12	-	-	-	-	41
	8' x 8'		10	10	10	4	0.33' - <2'	0.44	0.64	0.60	0.24	0.24	0.24	0.31	0.44
2' - <3'		0.44				0.64	0.60	0.12	-	-	-	-	-	-	65
3' - <5'		0.42				0.51	0.56	0.12	-	-	-	-	-	-	65
5' - 10'		0.47				0.50	0.55	0.12	-	-	-	-	-	-	55
15'		0.65				0.72	0.77	0.12	-	-	-	-	-	-	45
12		20'	0.84	0.96	1.01	0.12	-	-	-	-	-	-	45		
		25'	1.03	1.22	1.26	0.12	-	-	-	-	-	-	41		
		30'	1.16	1.47	1.42	0.12	-	-	-	-	-	-	41		
		10	10.5	10	8 to 12	30'	1.16	1.47	1.42	0.12	-	-	-	-	41

See General Note 5

- NOTES:
1. See Sheet 2 for General Notes.
 2. See Sheet 7 for Reinforcing Details and dimension locations.
 3. See Sheet 14 for WWR Bending Diagrams.



TABLE 13A - STANDARD PRECAST BOX CULVERT DESIGNS (3" COVER) - 9' SPANS

SPAN x RISE (S) (R) (ft.)	SLAB / WALL THICKNESS				DESIGN EARTH COVER ABOVE TOP SLAB	REINFORCEMENT AREAS (sq. in./ft.)									As1 EXT. LENGTH (M) (in.)				
	TOP (Tt) (in.)	BOT. (Tb) (in.)	SIDE (Tw) (in.)	HAUNCH (H) (in.)		As1	As2	As3	As4	As5	As6	As7	As8	As9					
							0.33' - <2'	0.62	0.78	0.65	0.22	0.26	0.22	0.52		0.61			
9' x 5'	9	9	9	4 to 12	2' - <3'	0.62	0.78	0.65	0.11	-	-	-	-	54					
					3' - <5'	0.58	0.63	0.61	0.11	-	-	-	49						
					5' - 10'	0.65	0.63	0.64	0.11	-	-	-	49						
					15'	0.95	0.96	0.95	0.11	-	-	-	44						
					20'	1.26	1.32	1.28	0.11	-	-	-	44						
	10	10.5	9	9	8 to 12	25'	1.39	1.41	1.32	0.11	-	-	-	44					
						30'	1.46	1.50	1.42	0.11	-	-	-	44					
						9	9	9	4 to 12	0.33' - <2'	0.60	0.81	0.69	0.22	0.27	0.27	0.51	0.60	-
										2' - <3'	0.60	0.81	0.69	0.11	-	-	-	54	
										3' - <5'	0.56	0.66	0.65	0.11	-	-	-	49	
5' - 10'	0.65	0.68	0.69	0.11	-					-	-	49							
15'	0.94	1.03	1.02	0.11	-					-	-	44							
9	9	9	8 to 12	20'	1.25	1.40	1.38	0.11	-	-	-	-	44						
				25'	1.37	1.49	1.40	0.11	-	-	-	44							
				30'	1.44	1.58	1.50	0.11	-	-	-	44							
				9	9	9	4 to 12	0.33' - <2'	0.61	0.84	0.72	0.22	0.28	0.22	0.51	0.61	-		
								2' - <3'	0.61	0.83	0.72	0.11	-	-	-	59			
3' - <5'	0.58	0.69	0.68					0.11	-	-	-	54							
5' - 10'	0.67	0.73	0.75					0.11	-	-	-	49							
15'	0.96	1.09	1.10					0.11	-	-	-	44							
9	9	9	8 to 12	20'	1.27	1.49	1.47	0.11	-	-	-	-	44						
				25'	1.38	1.57	1.48	0.11	-	-	-	44							
				30'	1.49	1.70	1.58	0.11	-	-	-	44							
				9	9.5	9	4 to 12	0.33' - <2'	0.60	0.85	0.73	0.22	0.29	0.22	0.52	0.53	-		
								2' - <3'	0.64	0.86	0.76	0.12	-	-	-	59			
3' - <5'	0.62	0.72	0.72					0.11	-	-	-	59							
5' - 10'	0.71	0.77	0.81					0.11	-	-	-	54							
15'	1.01	1.16	1.17					0.11	-	-	-	44							
9	9.5	9	8 to 12	20'	1.27	1.56	1.45	0.11	-	-	-	-	44						
				25'	1.45	1.65	1.57	0.11	-	-	-	44							
				30'	1.59	1.72	1.66	0.11	-	-	-	44							
				9	9	9	4 to 12	0.33' - <2'	0.68	0.88	0.78	0.18	-	-	-	-	72		
								2' - <3'	0.68	0.88	0.78	0.18	-	-	-	72			
3' - <5'	0.68	0.75	0.78					0.18	-	-	-	72							
5' - 10'	0.79	0.82	0.88					0.17	-	-	-	59							
15'	1.11	1.22	1.26					0.13	-	-	-	49							
9	9.5	9	8 to 12	20'	1.37	1.64	1.54	0.13	-	-	-	-	49						
				25'	1.56	1.73	1.65	0.13	-	-	-	44							
				30'	1.56	1.73	1.68	0.12	-	-	-	44							

See General Note 5

TABLE 13B - STANDARD PRECAST BOX CULVERT DESIGNS (3" COVER) - 9' SPANS

SPAN x RISE (S) (R) (ft.)	SLAB / WALL THICKNESS				DESIGN EARTH COVER ABOVE TOP SLAB	REINFORCEMENT AREAS (sq. in./ft.)									As1 EXT. LENGTH (M) (in.)			
	TOP (Tt) (in.)	BOT. (Tb) (in.)	SIDE (Tw) (in.)	HAUNCH (H) (in.)		As1	As2	As3	As4	As5	As6	As7	As8	As9				
							0.33' - <2'	0.49	0.65	0.57	0.24	0.24	0.24	0.40		0.48		
9' x 5'	10	10	10	4 to 12	2' - <3'	0.49	0.65	0.57	0.12	-	-	-	-	54				
					3' - <5'	0.46	0.54	0.53	0.12	-	-	-	49					
					5' - 10'	0.52	0.50	0.51	0.12	-	-	-	49					
					15'	0.75	0.74	0.75	0.12	-	-	-	44					
					20'	0.98	1.01	1.00	0.12	-	-	-	44					
	10	10.5	10	8 to 12	25'	1.21	1.27	1.19	0.12	-	-	-	-	44				
					30'	1.30	1.36	1.30	0.12	-	-	-	44					
					9	9	9	4 to 12	0.33' - <2'	0.48	0.68	0.60	0.24	0.24	0.24	0.39	0.48	-
									2' - <3'	0.48	0.68	0.60	0.12	-	-	-	54	
									3' - <5'	0.45	0.57	0.56	0.12	-	-	-	49	
5' - 10'	0.52	0.53	0.56	0.12					-	-	-	49						
15'	0.74	0.79	0.81	0.12					-	-	-	44						
9	9	9	8 to 12	20'	0.97	1.07	1.07	0.12	-	-	-	-	44					
				25'	1.18	1.35	1.28	0.12	-	-	-	44						
				30'	1.27	1.44	1.38	0.12	-	-	-	44						
				9	9	9	4 to 12	0.33' - <2'	0.49	0.70	0.63	0.24	0.24	0.24	0.39	0.49	-	
								2' - <3'	0.49	0.70	0.63	0.12	-	-	-	59		
3' - <5'	0.46	0.59	0.59					0.12	-	-	-	54						
5' - 10'	0.54	0.57	0.60					0.12	-	-	-	49						
15'	0.75	0.84	0.86					0.12	-	-	-	44						
9	9	9	8 to 12	20'	0.98	1.13	1.14	0.12	-	-	-	-	44					
				25'	1.18	1.43	1.36	0.12	-	-	-	44						
				30'	1.28	1.52	1.46	0.12	-	-	-	44						
				9	9	9	4 to 12	0.33' - <2'	0.51	0.72	0.65	0.24	0.24	0.24	0.39	0.51	-	
								2' - <3'	0.51	0.72	0.65	0.12	-	-	-	59		
3' - <5'	0.49	0.61	0.62					0.12	-	-	-	59						
5' - 10'	0.57	0.60	0.65					0.12	-	-	-	54						
15'	0.79	0.89	0.92					0.12	-	-	-	44						
9	9.5	9	8 to 12	20'	1.02	1.20	1.22	0.12	-	-	-	-	44					
				25'	1.21	1.50	1.44	0.12	-	-	-	44						
				30'	1.33	1.59	1.54	0.12	-	-	-	44						
				9	9	9	4 to 12	0.33' - <2'	0.54	0.74	0.68	0.24	0.24	0.24	0.41	0.54	-	
								2' - <3'	0.54	0.74	0.68	0.15	-	-	-	72		
3' - <5'	0.53	0.63	0.64					0.13	-	-	-	72						
5' - 10'	0.62	0.64	0.70					0.12	-	-	-	59						
15'	0.85	0.94	0.99					0.12	-	-	-	49						
9	9.5	9	8 to 12	20'	1.09	1.26	1.29	0.12	-	-	-	-	49					
				25'	1.28	1.56	1.52	0.12	-	-	-	44						
				30'	1.42	1.66	1.66	0.12	-	-	-	44						

See General Note 5

NOTES:
 1. See Sheet 2 for General Notes.
 2. See Sheet 7 for Reinforcing Details and dimension locations.
 3. See Sheet 14 for WWR Bending Diagrams.



TABLE 14 - STANDARD PRECAST BOX CULVERT DESIGNS (3" COVER) - 10' SPANS

SPAN x RISE (S) (ft.)	RISE (R)	SLAB / WALL THICKNESS				DESIGN EARTH COVER ABOVE TOP SLAB	REINFORCEMENT AREAS (sq. in./ft.)									As1 EXT. LENGTH (M) (in.)
		TOP (Tt) (in.)	BOT. (Tb) (in.)	SIDE (Tw) (in.)	HAUNCH (H) (in.)		As1	As2	As3	As4	As5	As6	As7	As8	As9	
		10' x 5'	10	10	10		10	4 to 12	0.33' - <2'	0.60	0.73	0.61	0.24	0.24	0.24	
						2' - <3'	0.60	0.73	0.61	0.12	-	-	-	-	-	53
						3' - <5'	0.57	0.64	0.58	0.12	-	-	-	-	-	52
						5' - 10'	0.65	0.60	0.60	0.12	-	-	-	-	-	47
						15'	0.94	0.90	0.89	0.12	-	-	-	-	-	47
	10	10	10	10	8	20'	1.24	1.23	1.19	0.12	-	-	-	-	-	47
	11	11.5	10	10	to	25'	1.39	1.37	1.28	0.12	-	-	-	-	-	47
	12.5	12.5	10	10	12	30'	1.38	1.43	1.41	0.12	-	-	-	-	-	47
10' x 6'	10	10	10	10	4 to 12	0.33' - <2'	0.58	0.75	0.64	0.24	0.24	0.24	0.48	0.56	-	58
						2' - <3'	0.58	0.75	0.64	0.12	-	-	-	-	-	52
						3' - <5'	0.56	0.67	0.62	0.12	-	-	-	-	-	52
						5' - 10'	0.64	0.64	0.65	0.12	-	-	-	-	-	47
						15'	0.92	0.96	0.95	0.12	-	-	-	-	-	47
	10	10	10	10	8	20'	1.21	1.31	1.27	0.12	-	-	-	-	-	47
	11	11.5	10	10	to	25'	1.35	1.44	1.36	0.12	-	-	-	-	-	47
	12.5	12.5	10	10	12	30'	1.35	1.51	1.49	0.12	-	-	-	-	-	47
10' x 7'	10	10	10	10	4 to 12	0.33' - <2'	0.57	0.78	0.67	0.24	0.24	0.25	0.48	0.57	-	58
						2' - <3'	0.57	0.78	0.67	0.12	-	-	-	-	-	58
						3' - <5'	0.58	0.70	0.65	0.12	-	-	-	-	-	52
						5' - 10'	0.65	0.68	0.70	0.12	-	-	-	-	-	47
						15'	0.92	1.02	1.02	0.12	-	-	-	-	-	47
	10	10	10	10	8	20'	1.21	1.38	1.35	0.12	-	-	-	-	-	47
	11	11.5	10	10	to	25'	1.33	1.52	1.44	0.12	-	-	-	-	-	47
	12.5	12.5	10	10	12	30'	1.38	1.58	1.57	0.12	-	-	-	-	-	47
10' x 8'	10	10	10	10	4 to 12	0.33' - <2'	0.58	0.80	0.70	0.24	0.26	0.24	0.48	0.58	-	64
						2' - <3'	0.58	0.80	0.70	0.12	-	-	-	-	-	58
						3' - <5'	0.60	0.72	0.68	0.12	-	-	-	-	-	52
						5' - 10'	0.67	0.72	0.75	0.12	-	-	-	-	-	47
						15'	0.95	1.08	1.08	0.12	-	-	-	-	-	47
	10	10	10	10	8	20'	1.24	1.45	1.44	0.12	-	-	-	-	-	47
	11	11.5	10	10	to	25'	1.36	1.59	1.52	0.12	-	-	-	-	-	47
	12.5	12.5	10	10	12	30'	1.45	1.64	1.64	0.12	-	-	-	-	-	47
10' x 9'	10	10	10	10	4 to 12	0.33' - <2'	0.61	0.82	0.73	0.24	0.26	0.24	0.50	0.61	-	70
						2' - <3'	0.61	0.82	0.73	0.14	-	-	-	-	-	64
						3' - <5'	0.64	0.75	0.73	0.13	-	-	-	-	-	58
						5' - 10'	0.72	0.77	0.80	0.12	-	-	-	-	-	52
						15'	1.00	1.13	1.15	0.12	-	-	-	-	-	47
	10	10	10	10	8	20'	1.30	1.53	1.52	0.12	-	-	-	-	-	47
	11	11.5	10	10	to	25'	1.42	1.66	1.60	0.12	-	-	-	-	-	47
	12.5	12.5	10	10	12	30'	1.57	1.70	1.72	0.12	-	-	-	-	-	47
10' x 10'	10	10	10	10	4 to 12	0.33' - <2'	0.66	0.84	0.75	0.24	0.27	0.24	0.52	0.65	-	79
						2' - <3'	0.66	0.84	0.75	0.20	-	-	-	-	-	70
						3' - <5'	0.70	0.77	0.79	0.19	-	-	-	-	-	64
						5' - 10'	0.79	0.81	0.87	0.18	-	-	-	-	-	52
						15'	1.09	1.19	1.23	0.15	-	-	-	-	-	52
	10	10	10	10	8	20'	1.40	1.61	1.61	0.14	-	-	-	-	-	47
	11	11.5	10	10	to	25'	1.53	1.74	1.68	0.14	-	-	-	-	-	47
	12.5	12.5	10.5	10	12	30'	1.60	1.71	1.74	0.14	-	-	-	-	-	47

See General Note 5

TABLE 15 - STANDARD PRECAST BOX CULVERT DESIGNS (3" COVER) - 11' SPANS

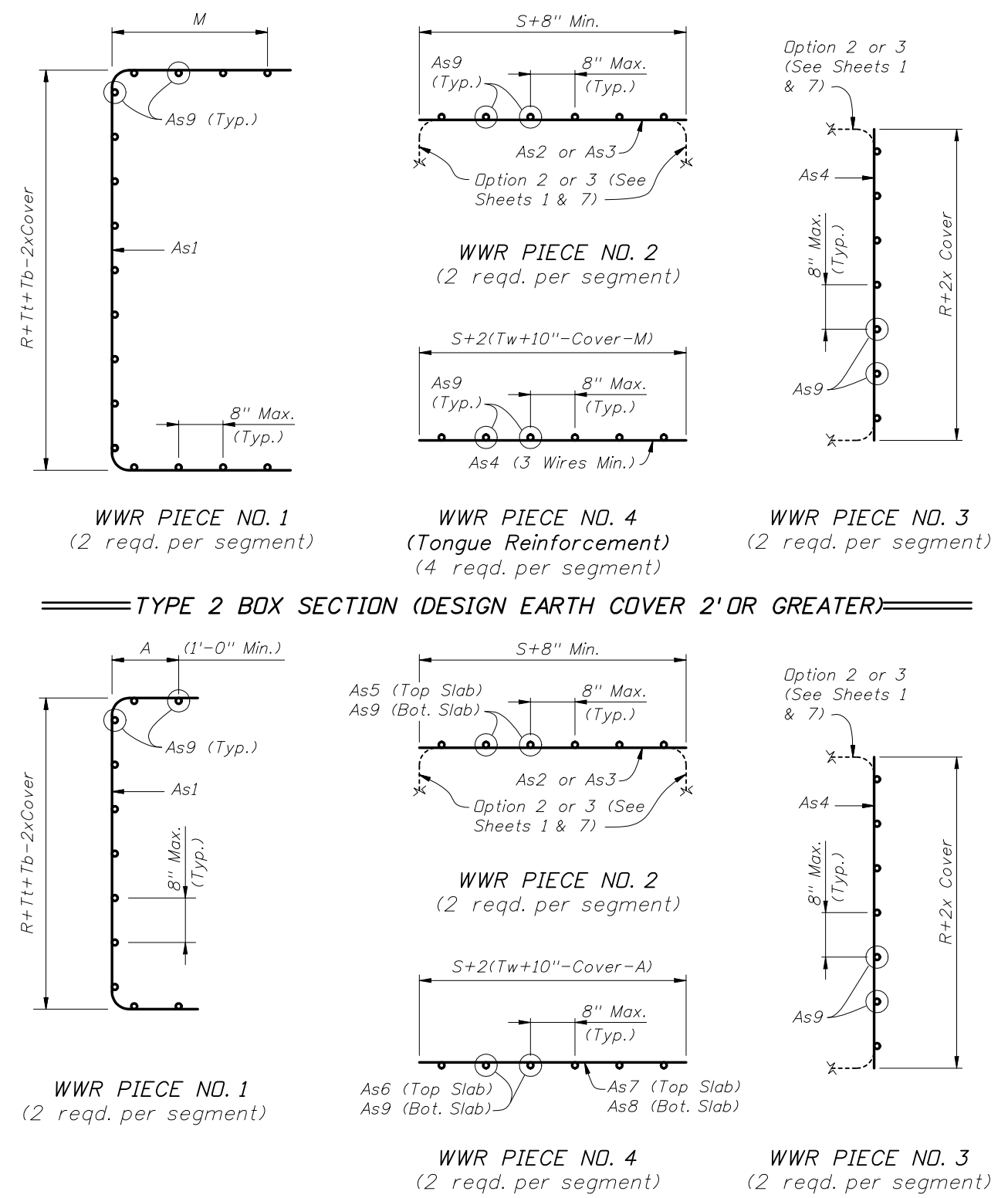
SPAN x RISE (S) (ft.)	RISE (R)	SLAB / WALL THICKNESS				DESIGN EARTH COVER ABOVE TOP SLAB	REINFORCEMENT AREAS (sq. in./ft.)									As1 EXT. LENGTH (M) (in.)
		TOP (Tt) (in.)	BOT. (Tb) (in.)	SIDE (Tw) (in.)	HAUNCH (H) (in.)		As1	As2	As3	As4	As5	As6	As7	As8	As9	
		11' x 4'	11	11	11		11	4 to 12	0.33' - <2'	0.60	0.66	0.54	0.27	0.27	0.27	
						2' - <3'	0.60	0.66	0.54	0.14	-	-	-	-	-	62
						3' - <5'	0.60	0.61	0.53	0.14	-	-	-	-	-	55
						5' - 10'	0.79	0.63	0.62	0.14	-	-	-	-	-	55
						15'	1.01	0.82	0.79	0.14	-	-	-	-	-	55
	12	12	11	11	8 to	20'	1.34	1.11	1.06	0.14	-	-	-	-	-	55
	13.5	13.5	11	12	12	25'	1.52	1.27	1.23	0.14	-	-	-	-	-	50
						30'	1.54	1.37	1.34	0.14	-	-	-	-	-	-
11' x 6'	11	11	11	11	4 to 12	0.33' - <2'	0.57	0.71	0.60	0.27	0.27	0.27	0.47	0.53	-	62
						2' - <3'	0.56	0.71	0.60	0.14	-	-	-	-	-	55
						3' - <5'	0.56	0.67	0.59	0.14	-	-	-	-	-	55
						5' - 10'	0.73	0.71	0.72	0.14	-	-	-	-	-	50
						15'	0.92	0.92	0.91	0.14	-	-	-	-	-	50
	11	11	11	11	8	20'	1.21	1.25	1.21	0.14	-	-	-	-	-	50
	12	12	11	11	to	25'	1.37	1.43	1.39	0.14	-	-	-	-	-	50
	13.5	13.5	11	12	12	30'	1.39	1.53	1.50	0.14	-	-	-	-	-	50
11' x 8'	11	11	11	11	4 to 12	0.33' - <2'	0.55	0.76	0.66	0.27	0.27	0.27	0.46	0.55	-	62
						2' - <3'	0.55	0.76	0.66	0.14	-	-	-	-	-	62
						3' - <5'	0.54	0.72	0.65	0.14	-	-	-	-	-	55
						5' - 10'	0.73	0.79	0.82	0.14	-	-	-	-	-	50
						15'	0.93	1.03	1.03	0.14	-	-	-	-	-	50
	11	11	11	11	8	20'	1.21	1.39	1.36	0.14	-	-	-	-	-	50
	12	12.5	11	11	to	25'	1.34	1.56	1.50	0.14	-	-	-	-	-	50
	13.5	13.5	11	12	12	30'	1.41	1.66	1.65	0.14	-	-	-	-	-	50
11' x 10'	11	11	11	11	4 to 12	0.33' - <2'	0.60	0.81	0.71	0.27	0.27	0.27	0.48	0.60	-	75
						2' - <3'	0.60	0.81	0.71	0.15	-	-	-	-	-	69
						3' - <5'	0.61	0.77	0.70	0.14	-	-	-	-	-	62
						5' - 10'	0.80	0.88	0.93	0.14	-	-	-	-	-	55
						15'	1.01	1.13	1.15	0.14	-	-	-	-	-	50
	11	11	11	11	8	20'	1.30	1.52	1.52	0.14	-	-	-	-	-	50
	12	12.5	11	11	to	25'	1.42	1.70	1.65	0.14	-	-	-	-	-	50
	13.5	14	11	12	12	30'	1.53	1.77	1.74	0.14	-	-	-	-	-	50
11' x 11'	11	11	11	11	4 to 12	0.33' - <2'	0.64	0.83	0.74	0.27	0.27	0.27	0.51	0.64	-	86
						2' - <3'	0.64	0.83	0.74	0.21	-	-	-	-	-	75
						3' - <5'	0.67	0.79	0.75	0.21	-	-	-	-	-	69
						5' - 10'	0.88	0.93	0.99	0.19	-	-	-	-	-	55

TABLE 16 - STANDARD PRECAST BOX CULVERT DESIGNS (3" COVER) - 12' SPANS															
SPAN x RISE (S) (R) (ft.)	SLAB / WALL THICKNESS				DESIGN EARTH COVER ABOVE TOP SLAB	REINFORCEMENT AREAS (sq. in./ft.)									As1 EXT. LENGTH (M) (in.)
	TOP (Tt) (in.)	BOT. (Tb) (in.)	SIDE (Tw) (in.)	HAUNCH (H) (in.)		As1	As2	As3	As4	As5	As6	As7	As8	As9	
12' x 4'	12	12	12	4 to 12	0.33' - <2'	0.59	0.64	0.51	0.29	0.29	0.29	0.52	0.55	-	
					2' - <3'	0.60	0.64	0.51	0.15	-	-	-	-	73	
					3' - <5'	0.60	0.61	0.51	0.15	-	-	-	-	66	
					5' - 10'	0.81	0.61	0.61	0.15	-	-	-	-	66	
					15'	1.04	0.80	0.77	0.15	-	-	-	-	59	
					20'	1.37	1.08	1.03	0.15	-	-	-	-	59	
12' x 6'	12	12	12	4 to 12	0.33' - <2'	0.56	0.70	0.57	0.29	0.29	0.29	0.47	0.52	-	
					2' - <3'	0.56	0.70	0.57	0.15	-	-	-	-	66	
					3' - <5'	0.56	0.67	0.57	0.15	-	-	-	-	59	
					5' - 10'	0.74	0.69	0.70	0.15	-	-	-	-	59	
					15'	0.94	0.90	0.88	0.15	-	-	-	-	53	
					20'	1.23	1.22	1.17	0.15	-	-	-	-	53	
12' x 8'	12	12	12	4 to 12	0.33' - <2'	0.55	0.75	0.63	0.29	0.29	0.29	0.45	0.53	-	
					2' - <3'	0.55	0.75	0.63	0.15	-	-	-	-	66	
					3' - <5'	0.55	0.73	0.63	0.15	-	-	-	-	59	
					5' - 10'	0.73	0.77	0.79	0.15	-	-	-	-	59	
					15'	0.93	1.00	0.99	0.15	-	-	-	-	53	
					20'	1.21	1.35	1.31	0.15	-	-	-	-	53	
12' x 10'	12	12	12	4 to 12	0.33' - <2'	0.57	0.80	0.68	0.29	0.29	0.29	0.46	0.57	-	
					2' - <3'	0.57	0.80	0.68	0.15	-	-	-	-	73	
					3' - <5'	0.59	0.77	0.68	0.15	-	-	-	-	66	
					5' - 10'	0.78	0.85	0.89	0.15	-	-	-	-	59	
					15'	0.98	1.10	1.11	0.15	-	-	-	-	53	
					20'	1.26	1.47	1.45	0.15	-	-	-	-	53	
12' x 12'	12	12	12	4 to 12	0.33' - <2'	0.65	0.84	0.73	0.29	0.29	0.29	0.50	0.65	-	
					2' - <3'	0.65	0.84	0.73	0.23	-	-	-	-	93	
					3' - <5'	0.68	0.81	0.75	0.22	-	-	-	-	80	
					5' - 10'	0.90	0.94	1.01	0.21	-	-	-	-	73	
					15'	1.12	1.20	1.24	0.18	-	-	-	-	59	
					20'	1.42	1.60	1.61	0.16	-	-	-	-	59	
12' x 12'	14.5	15	12.5	12	25'	1.57	1.81	1.78	0.16	-	-	-	-	53	
					30'	1.63	1.86	1.85	0.15	-	-	-	-	53	

See General/Note 5

- NOTES:
1. See Sheet 2 of 14 for General Notes.
 2. See Sheet 7 of 14 for Reinforcing Details and dimension locations.

WELDED WIRE REINFORCEMENT BENDING DIAGRAM



- REINFORCEMENT NOTES:
1. Reinforcement bending dimensions are out-to-out.
 2. See General Notes 4, 5 and 6 on Sheet 2.
 3. See Tables 1 thru 16 for dimensions M, R, S, Tb, Tt and Tw.
 4. Dimension "A" is determined by the Manufacturer in accordance with the requirements of Detail "B" on Sheets 1 and 7.