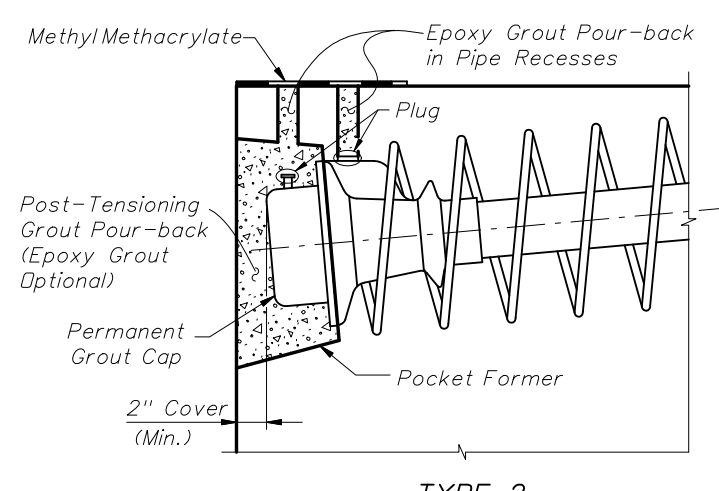
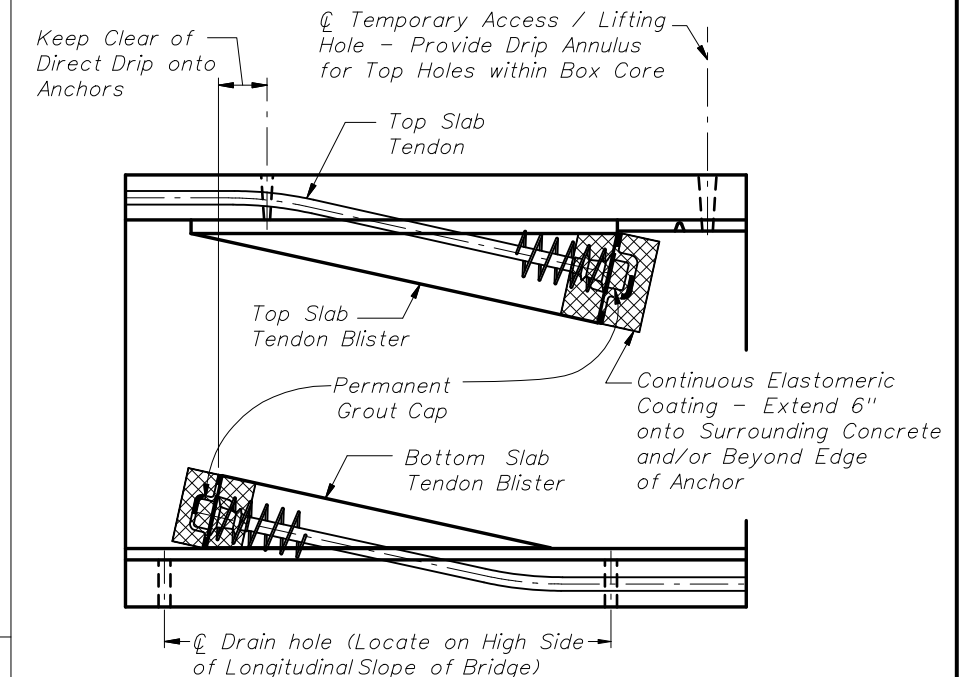


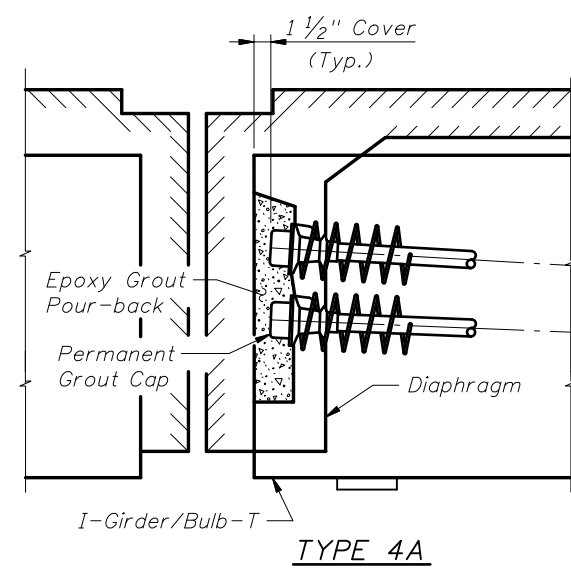
TYPE 1A **TYPE 1B**
TYPICAL ALTERNATE POUR-BACK TREATMENTS FOR ANCHOR PROTECTION ON EXPOSED SURFACES AND EXPANSION JOINTS



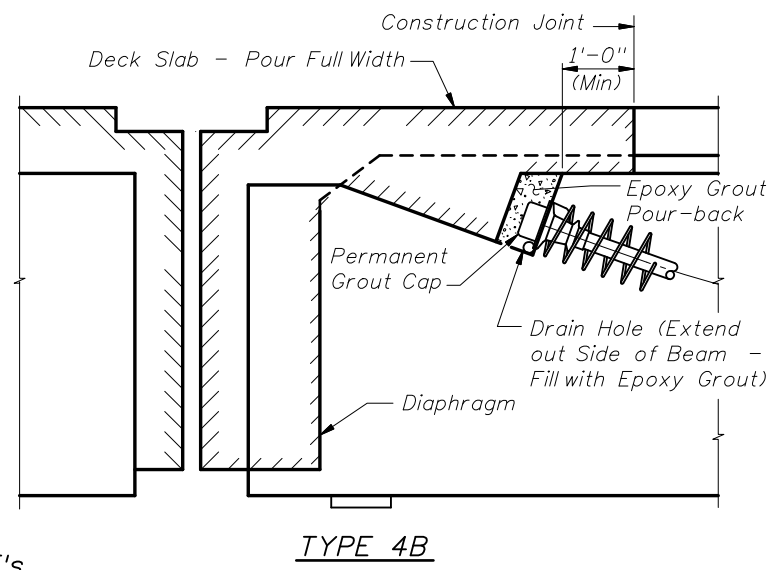
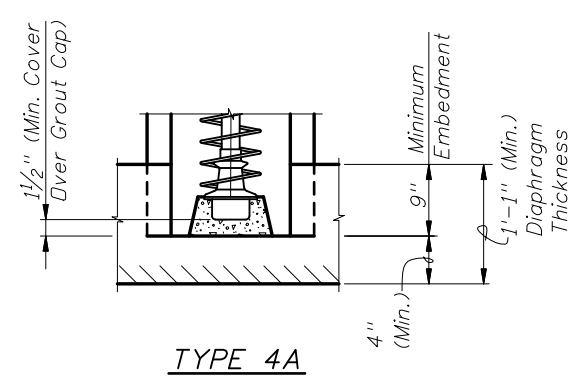
TYPE 2
TOP INSPECTED ANCHOR PROTECTION



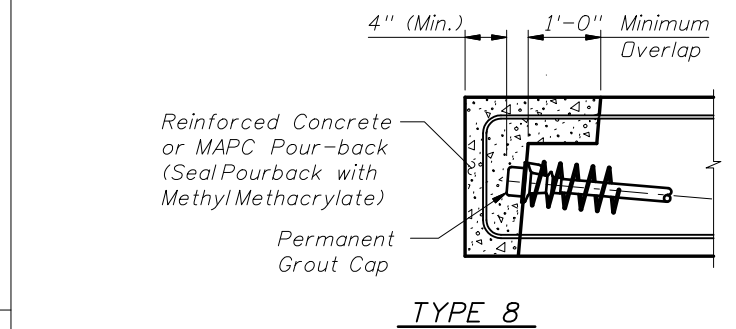
TYPE 3
ANCHOR PROTECTION FOR INTERIOR ANCHORS IN CELLULAR BOXES ON BLISTERS OR PIER SEGMENTS (NOT FOR USE IN EXPANSION JOINTS)



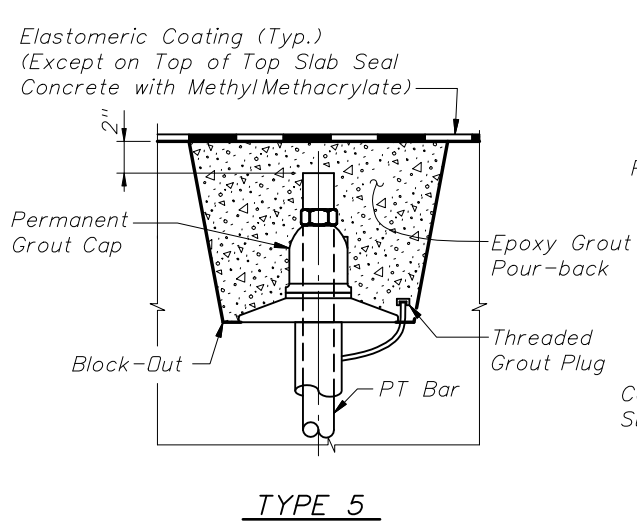
TYPE 4A
ANCHOR PROTECTION FOR POST-TENSIONED I-GIRDERS & BULB-T's



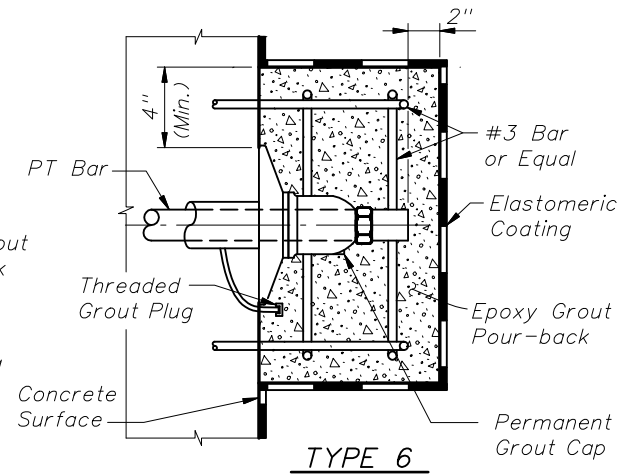
TYPE 4B



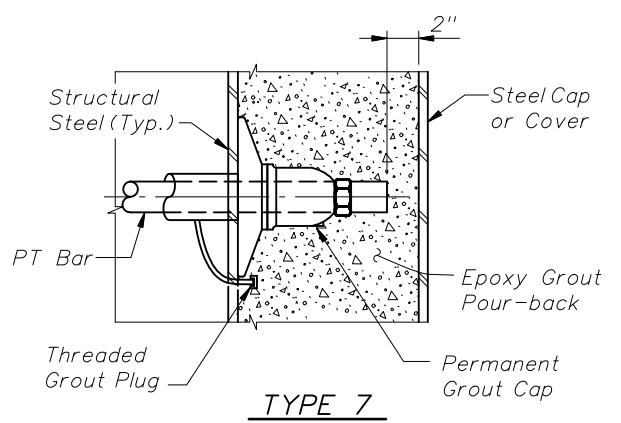
TYPE 8
FLAT SLAB ANCHOR PROTECTION



TYPE 5

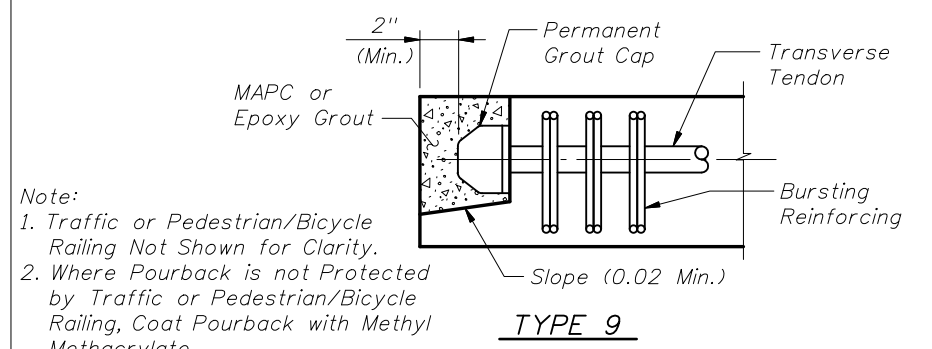


TYPE 6
ANCHOR PROTECTION FOR PT BARS



TYPE 7

Note:
 Extend elastomeric coating 12" onto concrete edges or 12" beyond edge of anchor pour-back.



Note:
 1. Traffic or Pedestrian/Bicycle Railing Not Shown for Clarity.
 2. Where Pourback is not Protected by Traffic or Pedestrian/Bicycle Railing, Coat Pourback with Methyl Methacrylate.

TYPE 9
TRANSVERSE TENDON ANCHOR PROTECTION

