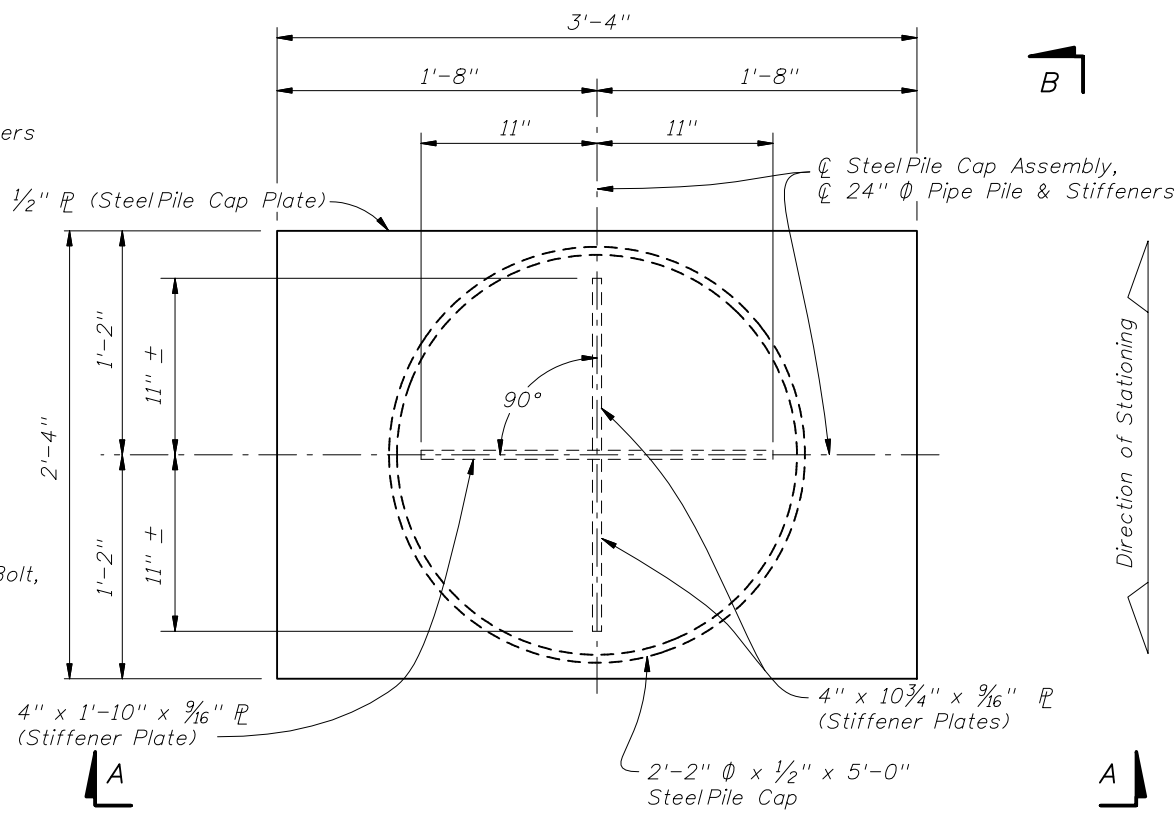
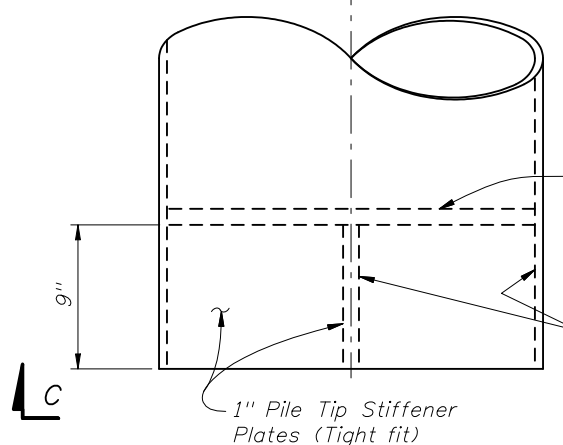


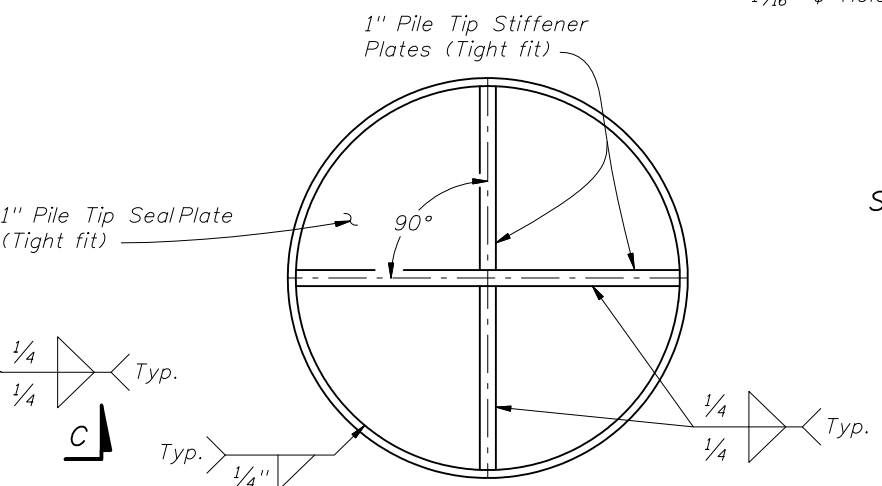
PARTIAL VIEW A-A



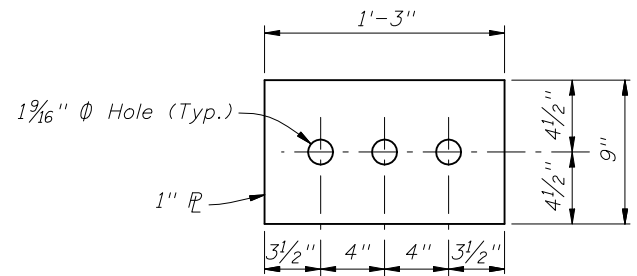
PLAN VIEW STEEL PILE CAP ASSEMBLY
(Bearing Plates and Bearing Keeper Bars not show for clarity)



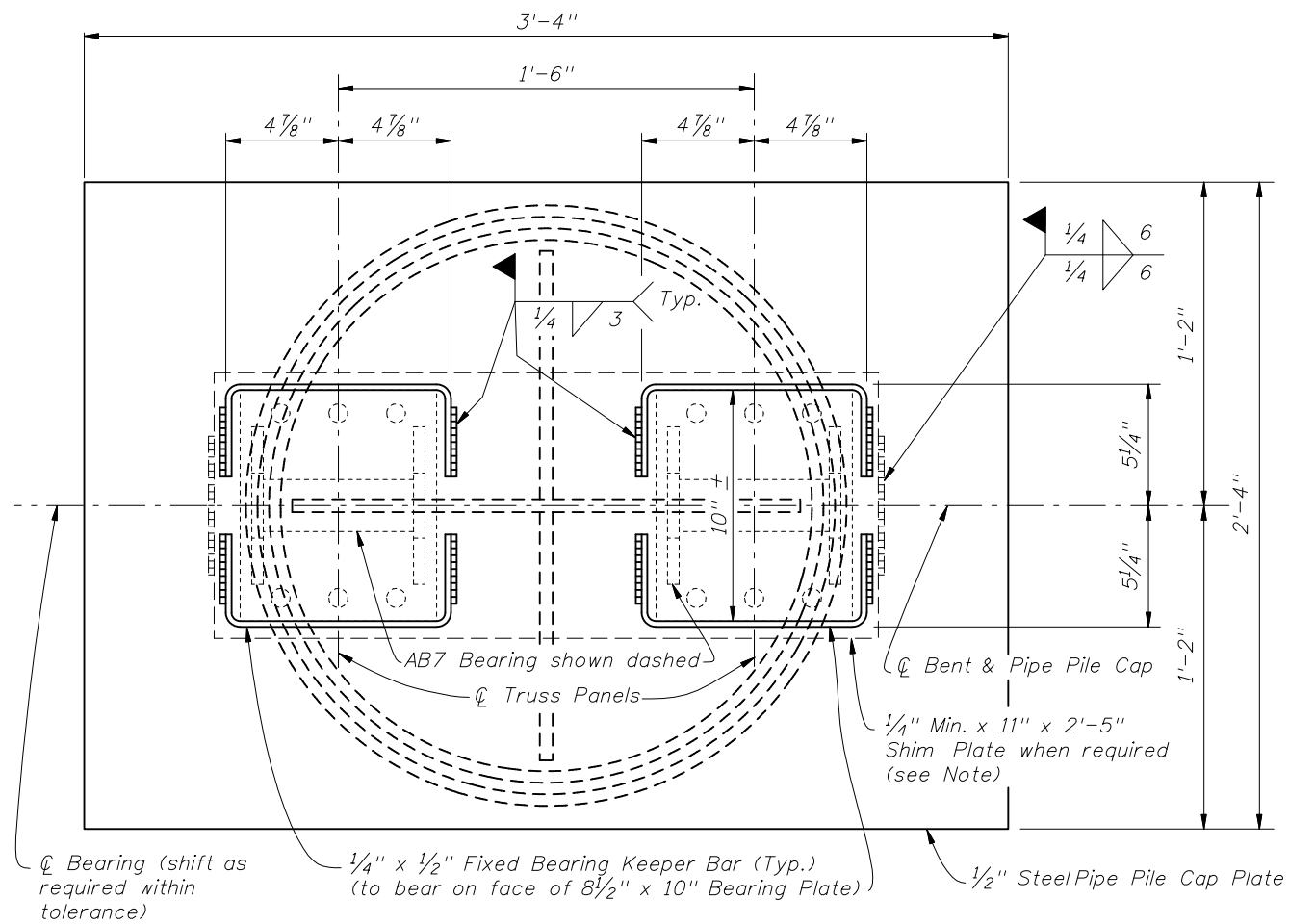
VIEW B-B



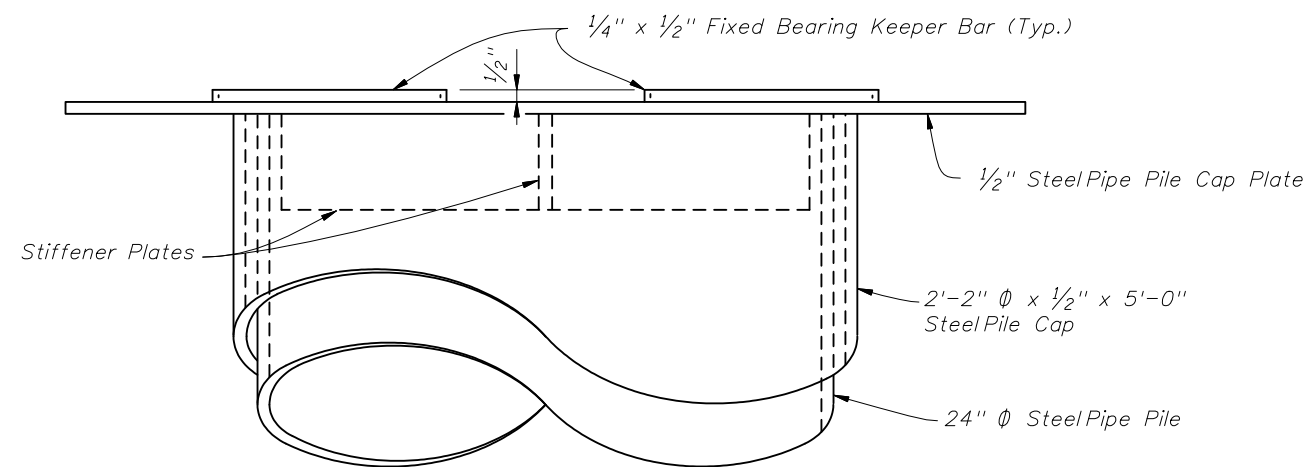
VIEW C-C
PILE TIP DETAIL



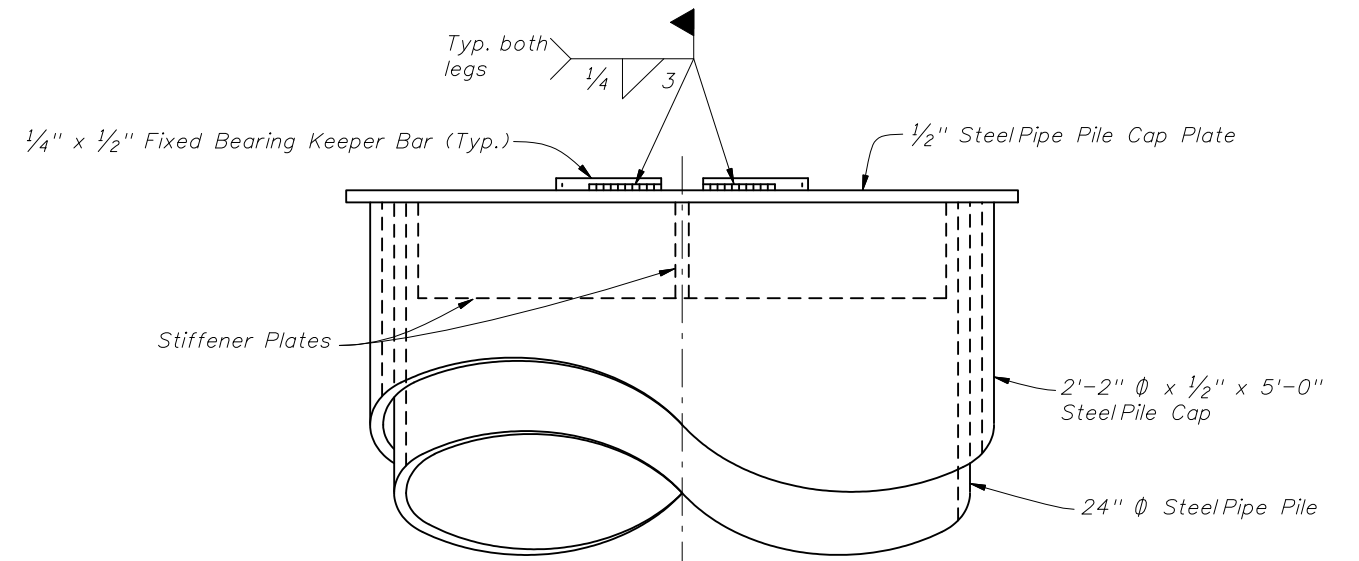
STRUT CONNECTOR PLATE DETAIL



PARTIAL PLAN VIEW

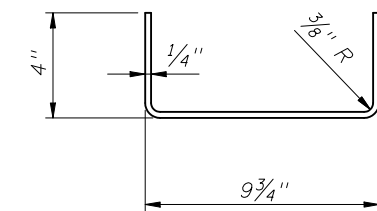


PARTIAL ELEVATION VIEW



END VIEW

Note:
Use Shim Plates as required to provide equal bearing seat elevations across the bent. Vary thickness of Shim Plate across the pile cap plate to provide a level bearing area in the transverse direction.



FIXED BEARING KEEPER BAR DETAIL

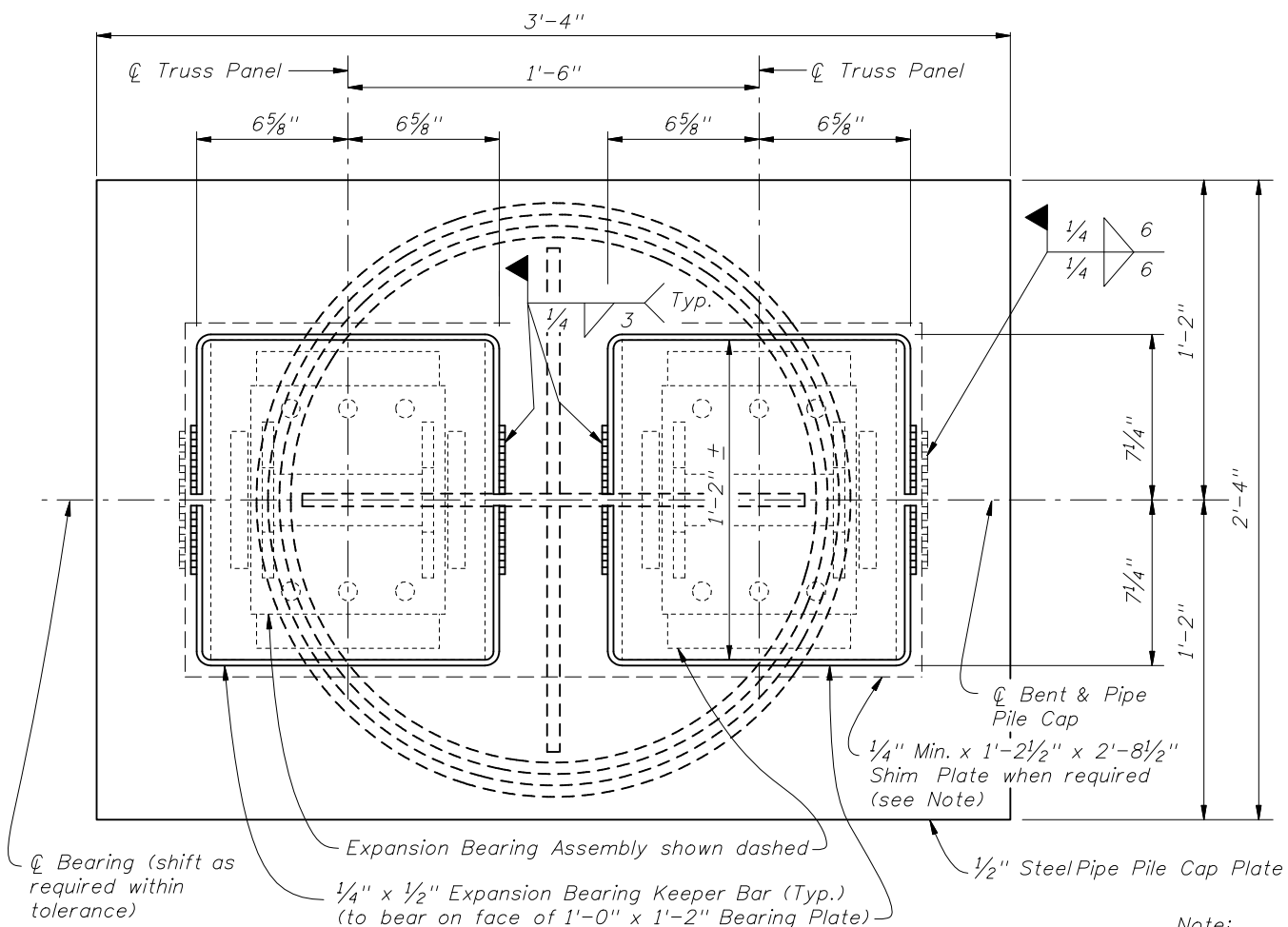
FIXED BEARING DETAILS



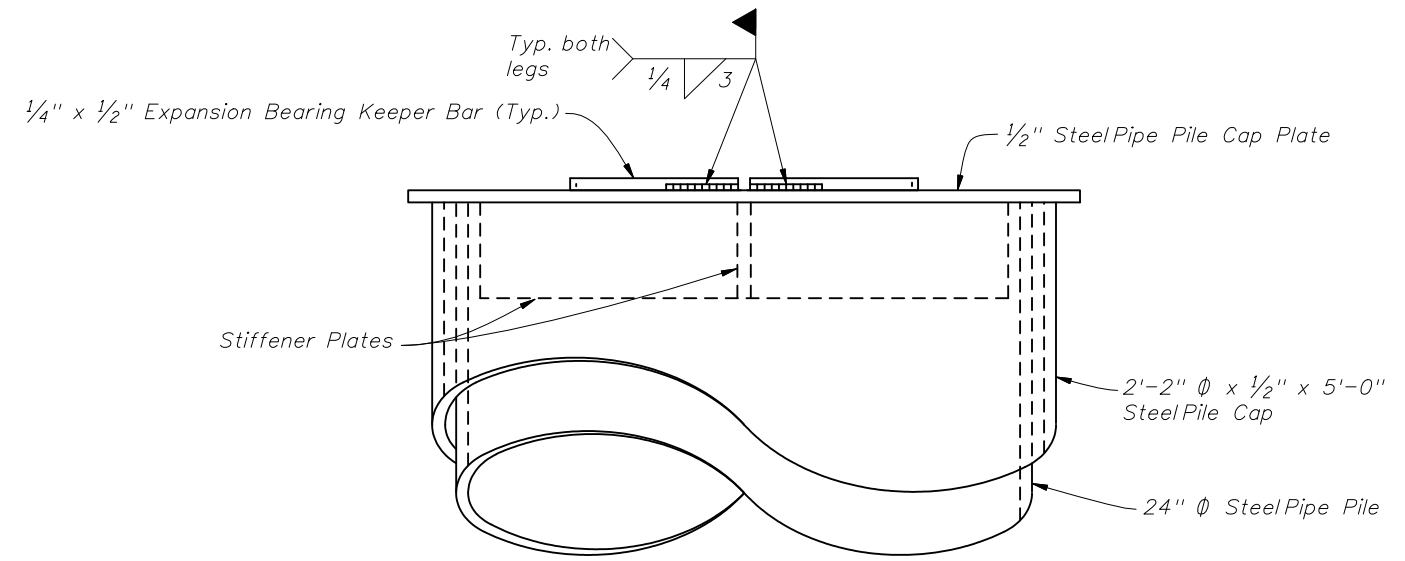
2008 FDOT Design Standards

TEMPORARY DETOUR BRIDGE DETAILS
STEEL PIPE PILE FOUNDATIONS

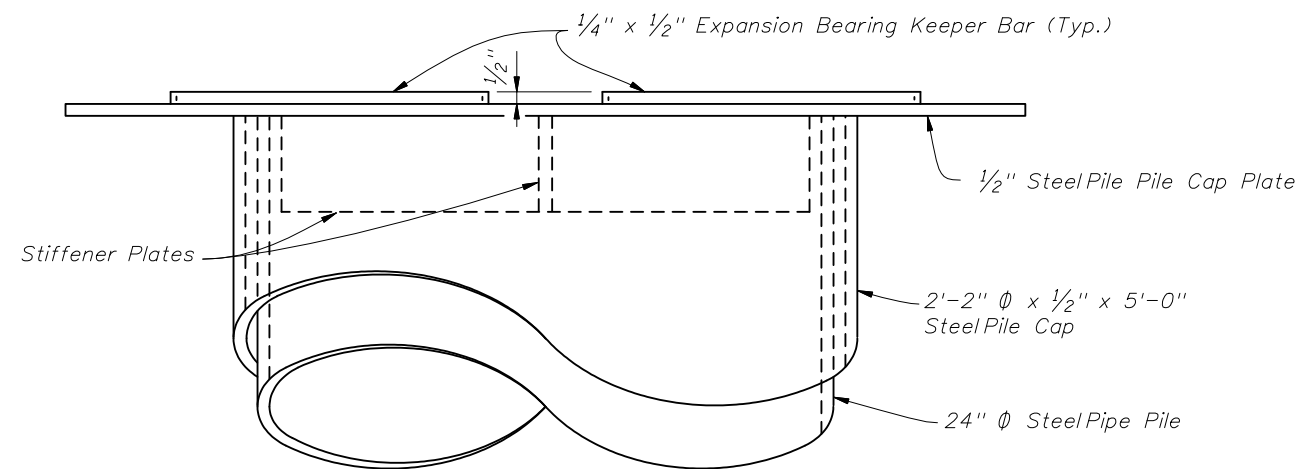
Last Revision	Sheet No.
07/01/06	2 of 3
Index No.	
21630	



PARTIAL PLAN VIEW

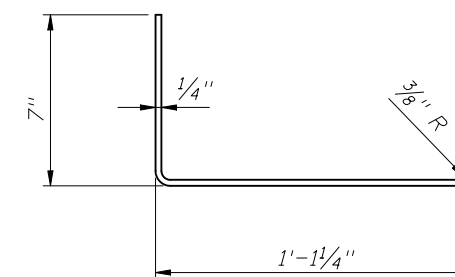


END VIEW



PARTIAL ELEVATION VIEW

Note:
Use Shim Plates as required to provide equal bearing seat elevations across the bent. Vary thickness of Shim Plate across the pile cap plate to provide a level bearing area in the transverse direction.



EXPANSION BEARING KEEPER BAR DETAIL

ABUTMENT AND INTERMEDIATE EXPANSION BEARING DETAILS



2008 FDOT Design Standards

TEMPORARY DETOUR BRIDGE DETAILS
STEEL PIPE PILE FOUNDATIONS

Last Revision	Sheet No.
07/01/06	3 of 3
Index No.	
21630	