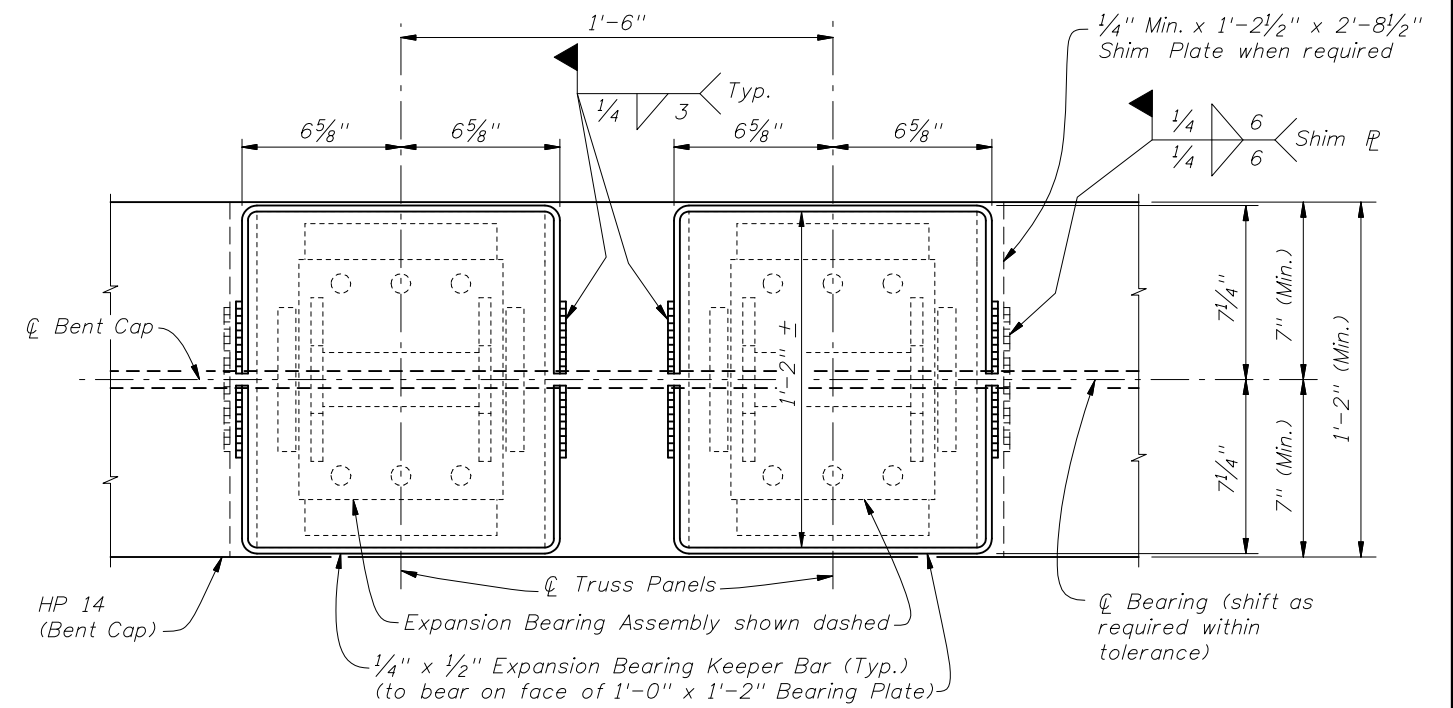
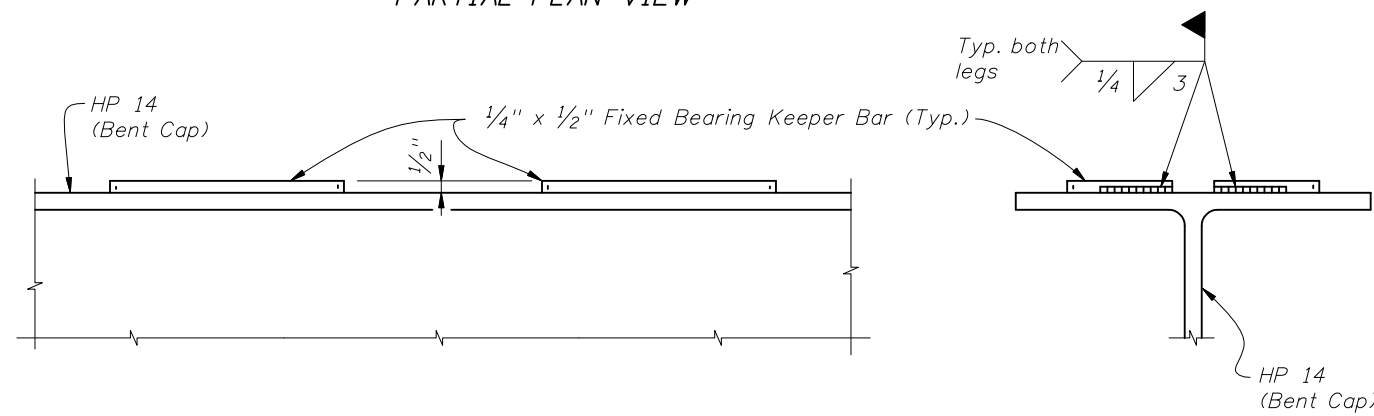


PARTIAL PLAN VIEW

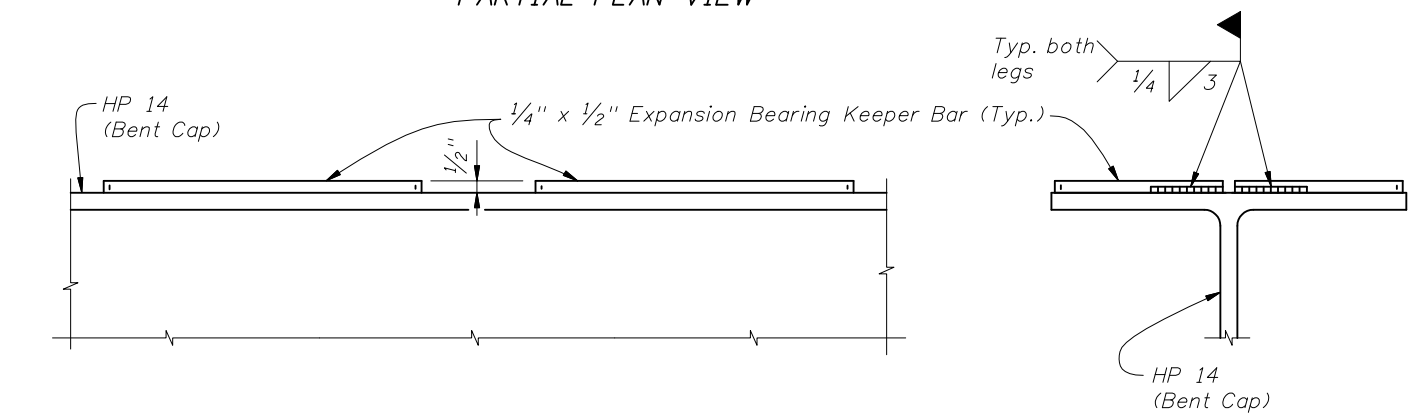


PARTIAL PLAN VIEW



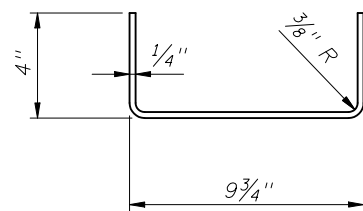
PARTIAL ELEVATION VIEW

END VIEW



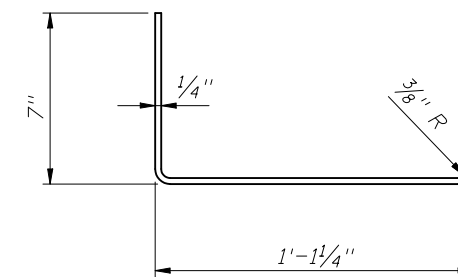
PARTIAL ELEVATION VIEW

END VIEW



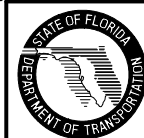
FIXED BEARING KEEPER BAR DETAIL

==== FIXED BEARING DETAILS ====



EXPANSION BEARING KEEPER BAR DETAIL

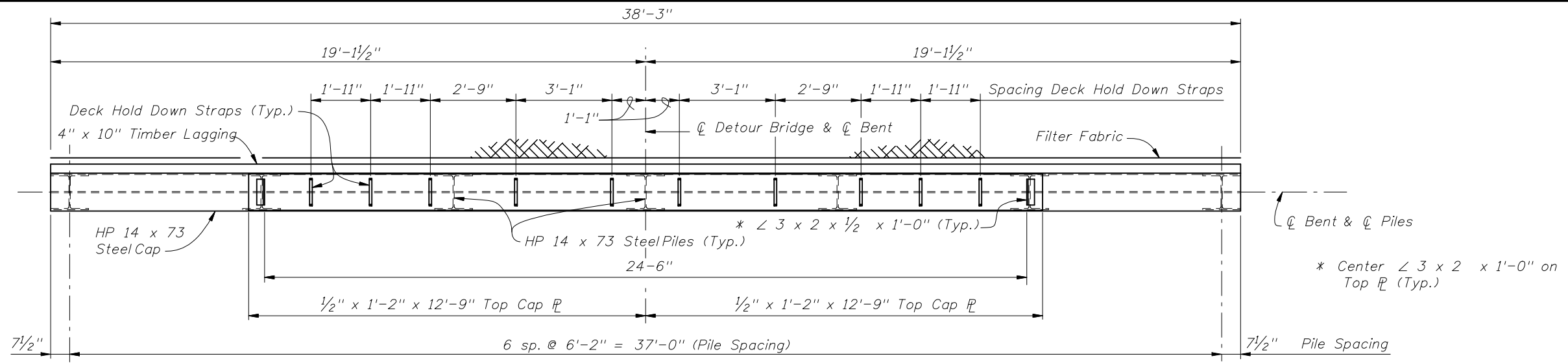
==== EXPANSION BEARING DETAILS ====



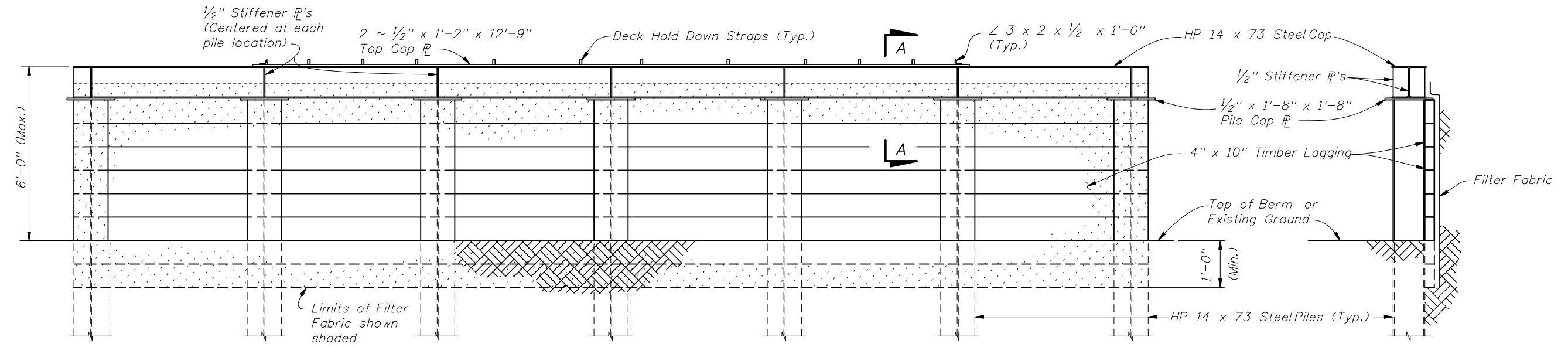
2008 FDOT Design Standards

TEMPORARY DETOUR BRIDGE DETAILS
STEEL H PILE FOUNDATIONS

| | |
|---------------|-----------|
| Last Revision | Sheet No. |
| 07/01/06 | 1 of 2 |
| Index No. | |
| 21620 | |

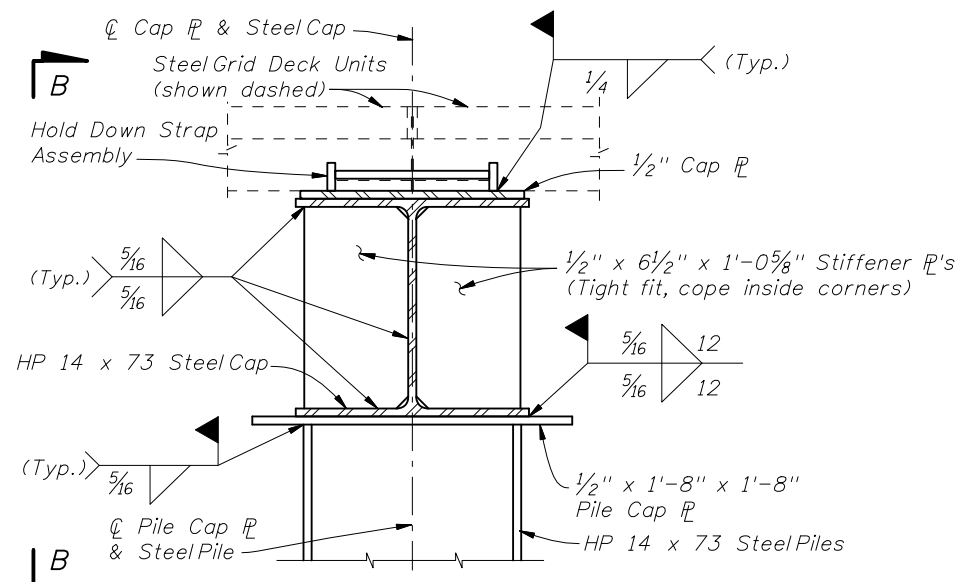


PLAN VIEW

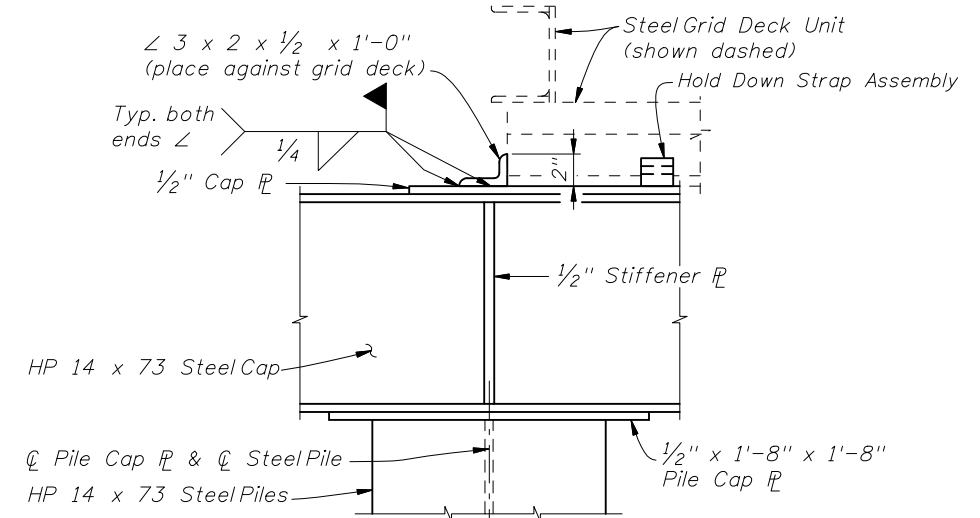


ELEVATION VIEW

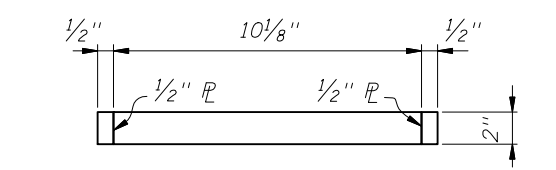
END VIEW



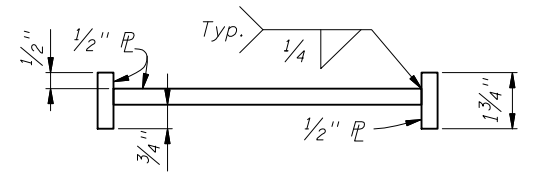
SECTION A-A
(LAGGING NOT SHOWN FOR CLARITY)



VIEW B-B



PLAN VIEW



ELEVATION VIEW
HOLD DOWN STRAP ASSEMBLY DETAIL

BACKWALL BENT DETAILS