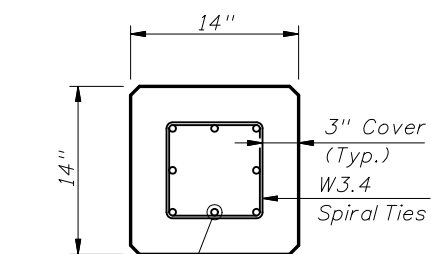


ELEVATION

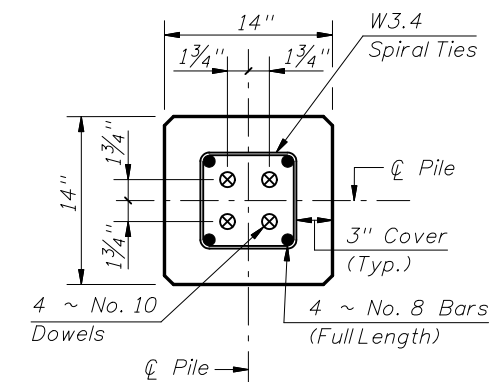


See Alternate Strand Patterns  
SECTION A-A

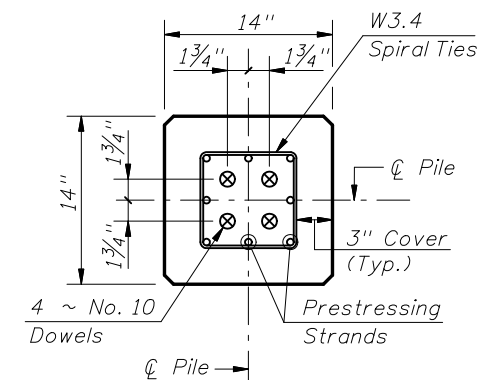
ALTERNATE STRAND PATTERNS

- 8 ~ 0.6"  $\Phi$ , Grade 270 LRS, at 35.2 kips
- 8 ~ 1/2"  $\Phi$ , Grade 270 (Spec) LRS, at 31.6 kips
- 8 ~ 1/2"  $\Phi$ , Grade 270 (Spec) SR, at 31.6 kips
- 8 ~ 1/2"  $\Phi$ , Grade 270 LRS, at 31.0 kips
- 12 ~ 7/16"  $\Phi$ , Grade 270 SR, at 21.2 kips
- 12 ~ 1/2"  $\Phi$ , Grade 250 SR, at 22.6 kips
- 16 ~ 3/8"  $\Phi$ , Grade 270 SR, at 16.1 kips

NOTE:  
Any of the given Alternate Strand Patterns may be utilized.  
The strands shall be located as follows:  
Place one strand at each corner and place the remaining strands equally spaced between the corner strands.  
The total strand pattern shall be concentric with the nominal concrete section of the pile.



SECTION D-D  
(See Non-drivable Unforeseen Reinforced Precast Splice Detail)



SECTION E-E  
(See Drivable Unforeseen Prestressed Precast Splice Detail)

PILE SPLICE REINFORCEMENT DETAILS

NOTE:  
Work this Index with Index No. 20600 - Notes and Details for Square Prestressed Concrete Piles and Index No. 20601 - Square Prestressed Concrete Pile Splices.



2008 FDOT Design Standards

14" SQUARE PRESTRESSED CONCRETE PILE

Last Revision	Sheet No.
07/01/05	1 of 1
Index No.	
20614	