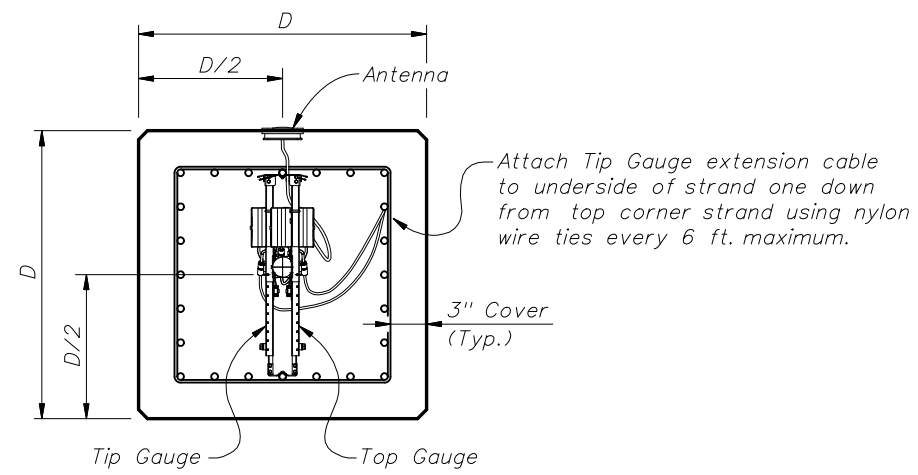
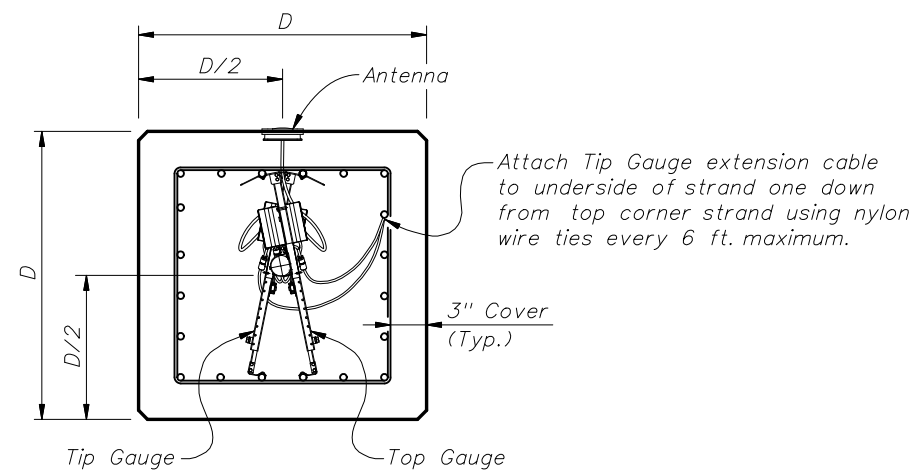


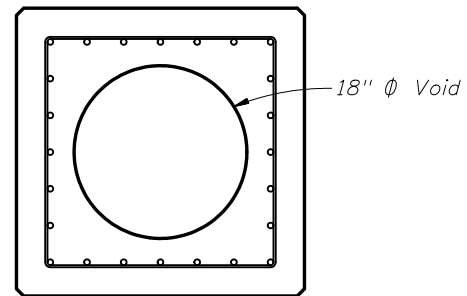
ELEVATION



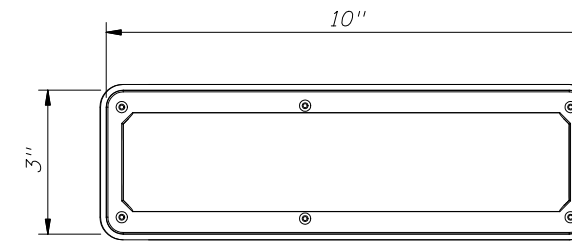
SECTION A-A
(Strand Pattern with odd number of strands per face)



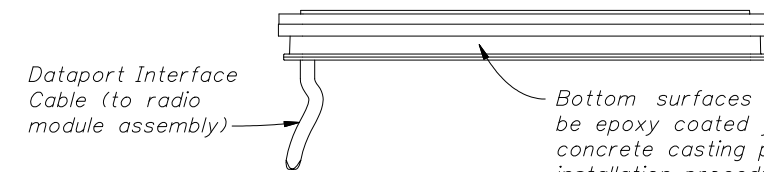
SECTION A-A
(Strand Pattern with even number of strands per face)



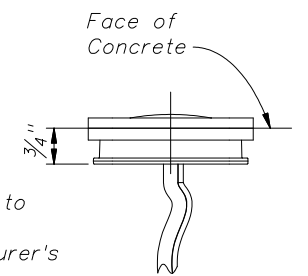
SECTION B-B
(30" Pile only)



ANTENNA TOP VIEW



ANTENNA SIDE VIEW



ANTENNA END VIEW

Work this sheet with
 Index No. 20618 for 18" square piles,
 Index No. 20624 for 24" square piles,
 Index No. 20630 for 30" square piles.



2008 FDOT Design Standards

EDC INSTRUMENTATION FOR
 SQUARE PRESTRESSED CONCRETE PILES

Last Revision 11/07/06	Sheet No. 1 of 1
Index No. 20602	