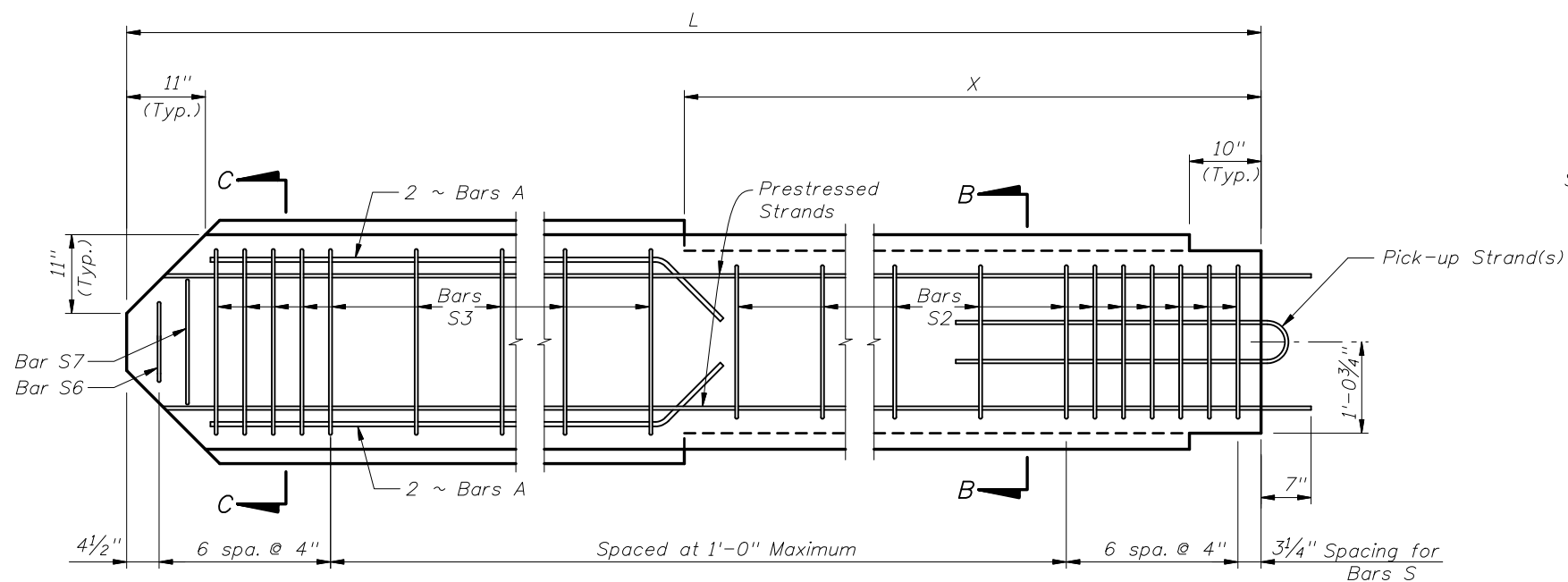


TYPICAL PILE

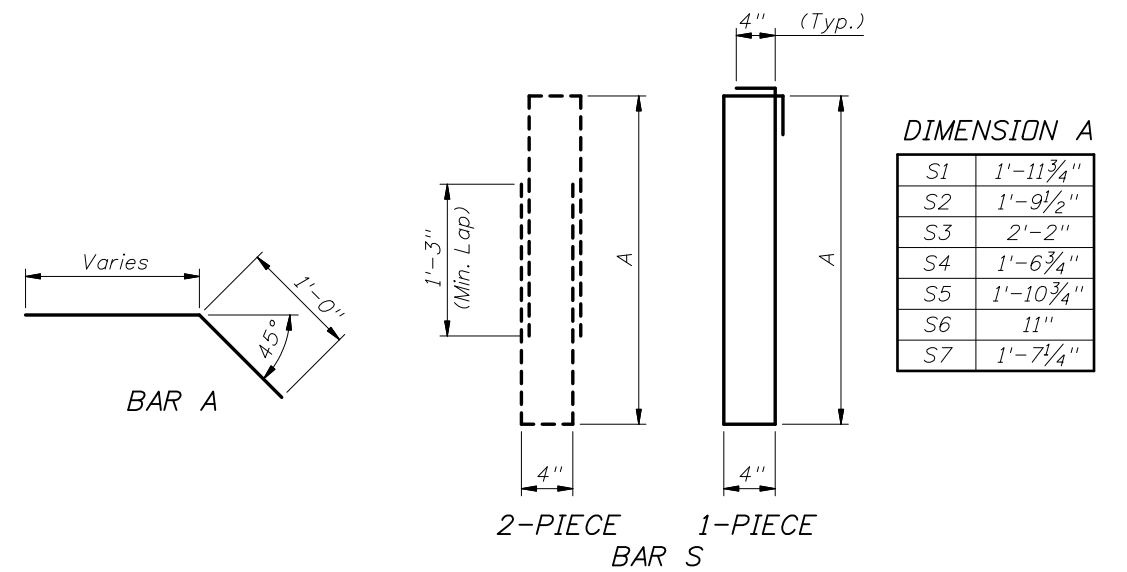


STARTER PILE

STRAND DIA. (in.)	MAXIMUM L	n	D (in.)	TOTAL # OF STRANDS	SECTION MODULUS (in. ³)	*STRESS (PSI)
0.5	28'-0"	6	3 1/4	14	500	1150
0.6	27'-0"	4	5	10	500	1160

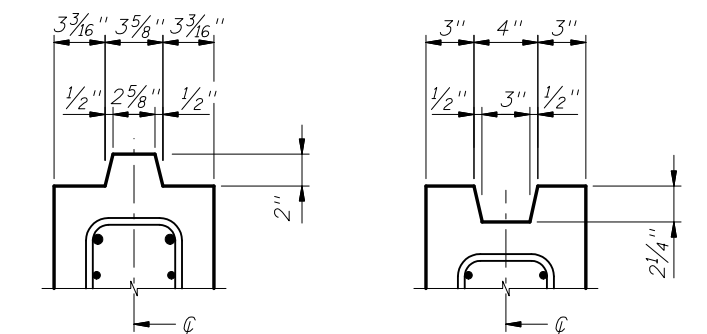
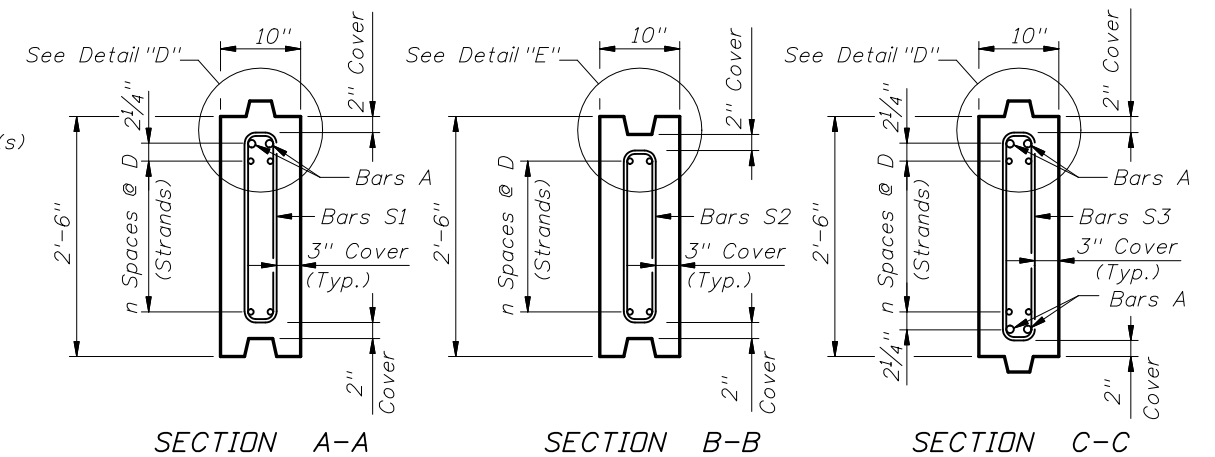
* Unit Prestress after losses.

BAR BENDING DIAGRAMS



NOTES:

1. Work this Standard with Index No. 20400.
2. Intermediate Prestress Strands not shown in Elevations and Sections.
3. All bar dimensions are out-to-out.
4. Bars A are #5 and Bars S are #4.
5. At the Contractor's option Bars S may be fabricated as a two piece bar as shown in the Bar Bending Diagram.
6. The Contractor may use Deformed Welded Wire Reinforcement conforming to specification ASTM A497 in lieu of Bars A and Bars S if the wire size and spacing provide the same area of reinforcing steel per foot as the Bars shown.
7. For Dimensions L and X see Sheet Pile Data Table in Structures Plans.



DETAIL "D" (Typical Tongue)

DETAIL "E" (Typical Groove)



2008 FDOT Design Standards

PRECAST CONCRETE SHEET PILE
TYPE "A" - 10 INCH THICK

Last Revision 07/01/07
Sheet No. 1 of 1
Index No. 20410