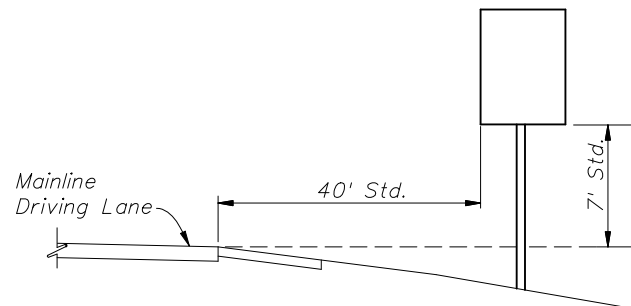


CASE I

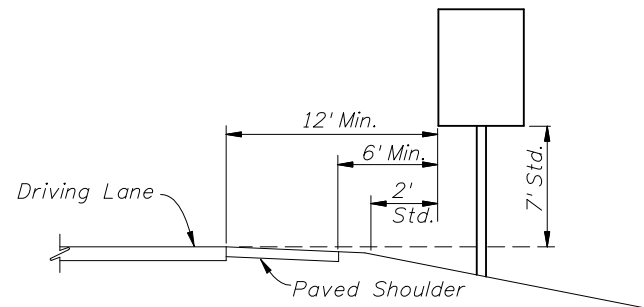
For Use On Freeway And Expressway Systems For Signs On Mainline.



For Median Installation:
If Median Width Does Not Allow Std. Offset From Both Roadways, Center Sign In Median.

CASE II

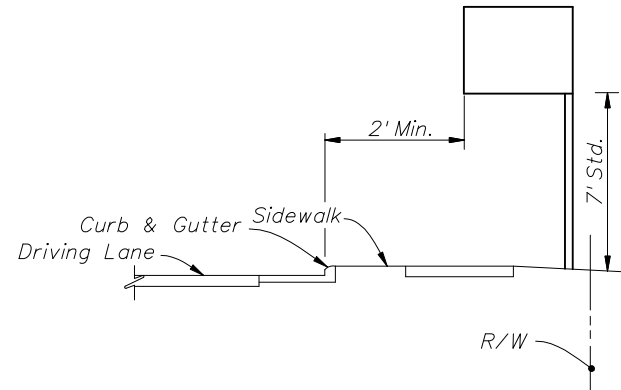
For Use In All Rural Roads And On Freeway And Expressway Ramps.



14' Horizontal Clearance Standard On All Freeway And Expressway Ramps
For Sections Without Paved Shoulder The 6' Min Does Not Apply.

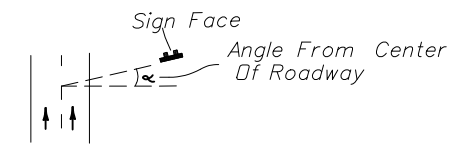
CASE III

For Use On All Roads With Signs Mounted Behind Sidewalk.



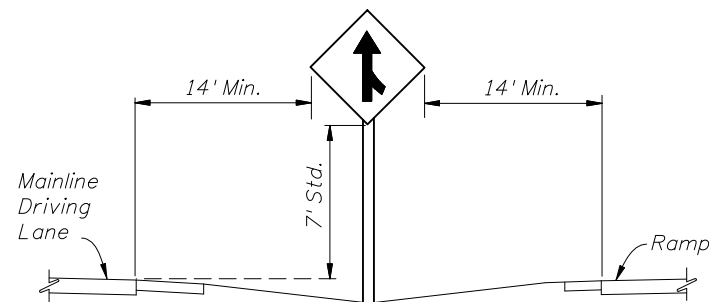
GENERAL NOTES:

1. The typical sections shown hereon serve as a guide for locating the traffic signs required under various roadside conditions. For size and details of sign construction and footing, refer to the appropriate standard index drawing for roadside sign.
2. It shall be the CONTRACTORS responsibility to verify the length of sign supports in the field prior to fabrication.
3. Ground signs shall be installed at an angle of 1 to 4 degrees away from the traffic flow (see illustration). Shoulder mounted signs shall be rotated counterclockwise and median mounted signs rotated clockwise. Signs on curves shall be mounted as noted above from the perpendicular to the motorist line of sight.



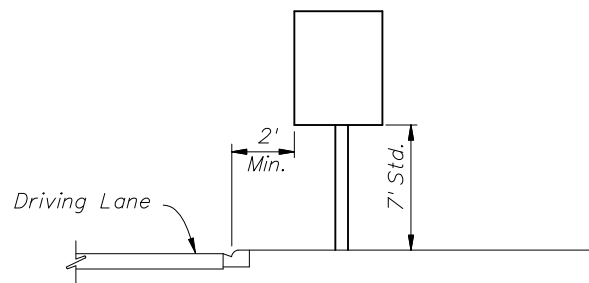
CASE IV (MERGE SIGN)

For Use On All Rural, Freeway And Expressway Systems.



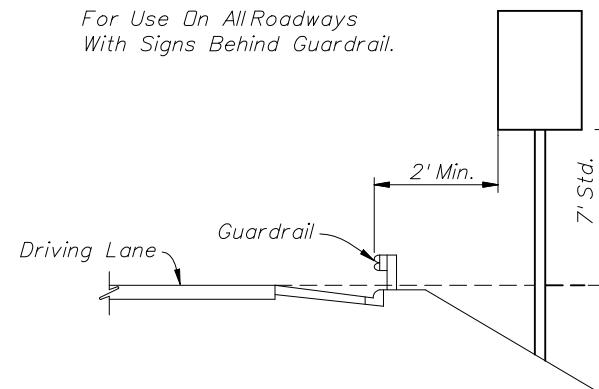
CASE V

For Use In Business Or Residential Areas Only.



CASE VI

For Use On All Roadways With Signs Behind Guardrail.



4. The setback for stop and yield signs may be reduced to 3' minimum from the driving lane if required for visibility in business or residential sections with no curb and speeds of 30 MPH or less.

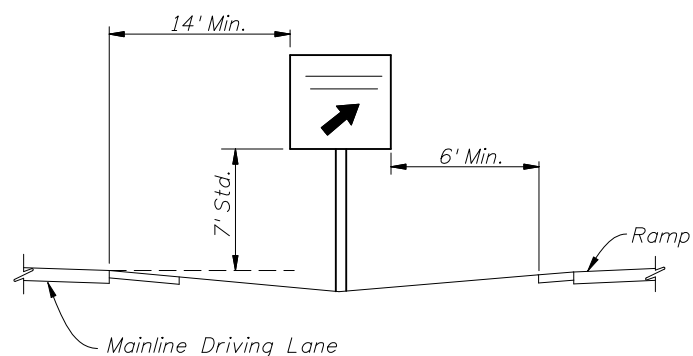
5. The mounting heights are measured from the bottom of the sign panel to a horizontal line extended from the edge of the driving lane. If the standard heights cannot be met, the minimum heights are as follows:

Expressway & Freeway Systems	7'
Other Roadway Systems	
Rural	5'
Urban (including residential with parking and /or pedestrian activity)	7'

If a secondary sign is mounted below the major sign, the major sign shall be at least 8' and the secondary sign at least 5' for expressway & freeway systems and for other systems the height to the secondary sign shall be at least 5' for rural and 7' for urban sections.

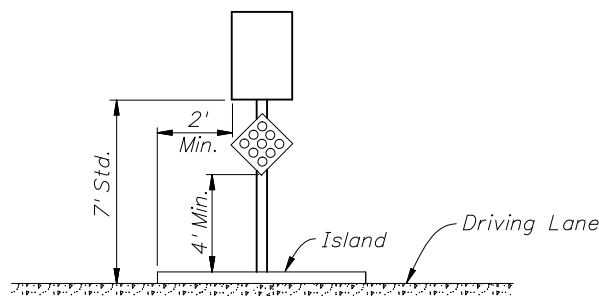
CASE VII (REST AREA & EXIT GORE SIGNS)

For Use On All Freeway And Expressway Systems



CASE VIII

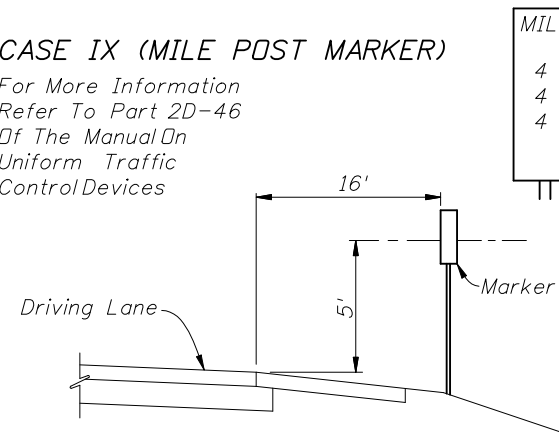
Sign On Island



Center Sign Column On Island

CASE IX (MILE POST MARKER)

For More Information Refer To Part 2D-46 Of The Manual On Uniform Traffic Control Devices



6. Sign supports should never be placed in the bottom of ditches where erosion might affect the proper operation of the breakaway feature.

7. Sign supports shall not reduce the accessible route /continuous passage to less than 4' min. clear width as required by the Americans with Disabilities Act (ADA) Accessibility Guidelines.



2008 FDOT Design Standards

TYPICAL SECTIONS FOR PLACEMENT OF SINGLE & MULTI-COLUMN SIGNS

Last Revision	Sheet No.
07/01/07	1 of 1
Index No.	
17302	