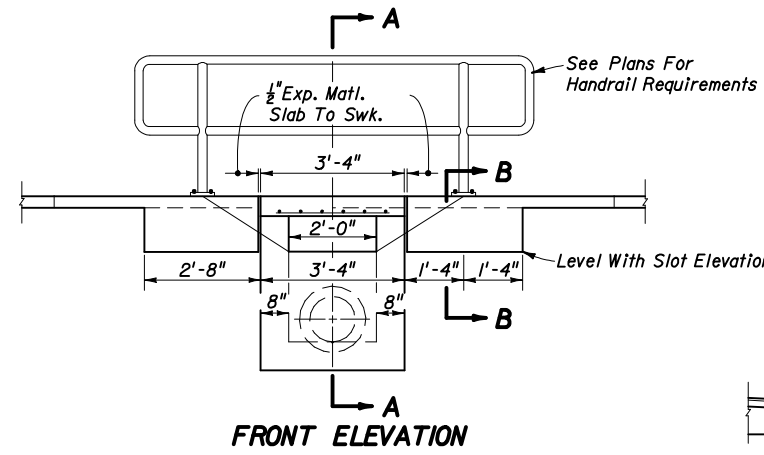
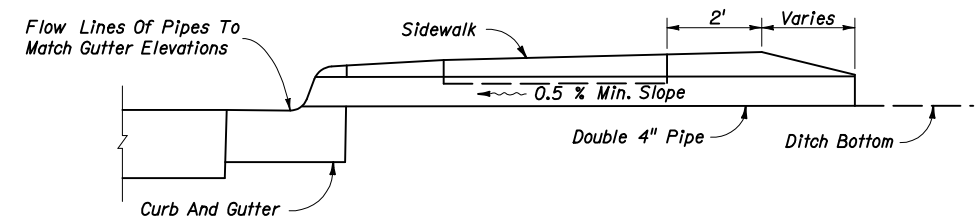


Pipe Size	C	Conc. - CY	Riprap - CY (Sand-Cement)
15"	4'-9"	2.27	1.1
18"	5'-3"	2.59	1.3
24"	6'-3"	3.26	1.8



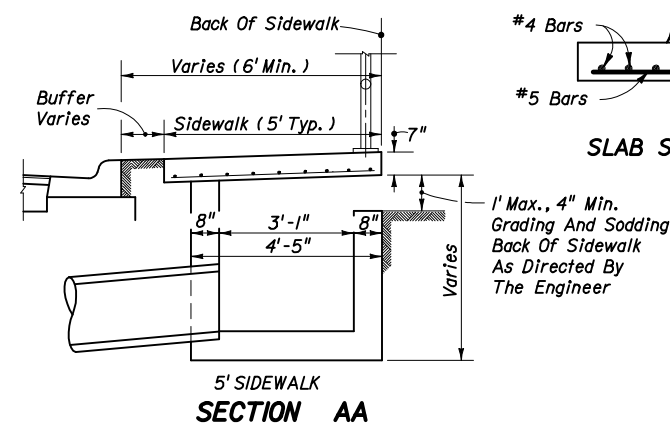
- Notes:
- For additional details see Index No. 232.
 - Inlet to be paid for under the contract unit price for Inlets (Ditch Bottom Type C Modified), EA. Handrail to be paid for under the contract unit price for Pipe Handrail, (Material), LF.

INLET TYPE C (MODIFIED)

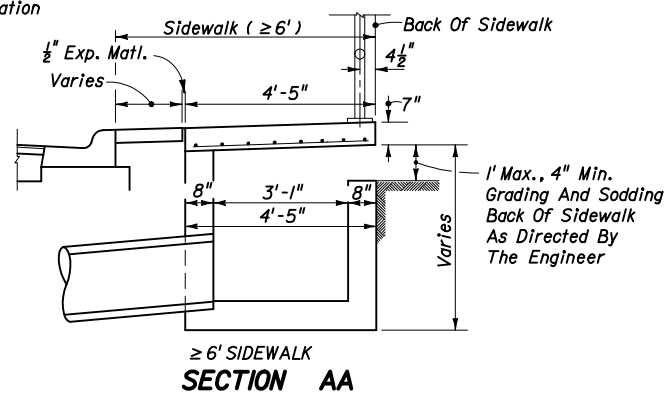


- Notes:
- To be constructed at locations as directed by the Engineer.
 - Either cast iron pipe or PVC rigid conduit, U.L. listed for direct sunlight exposure, Schedule 40, may be used.
 - Pipe to be paid for under the contract unit price for either Cast Iron Soil Pipe (Standard) (4"), LF or Polyvinyl Chloride Pipe Culvert (4"), LF.

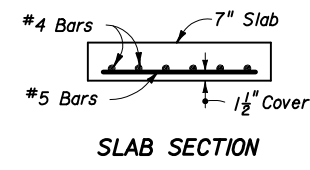
SHALLOW DITCHES



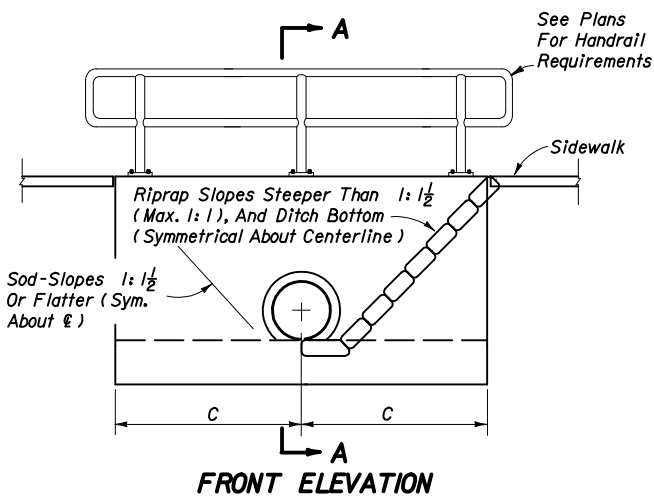
5' SIDEWALK SECTION AA



>= 6' SIDEWALK SECTION AA



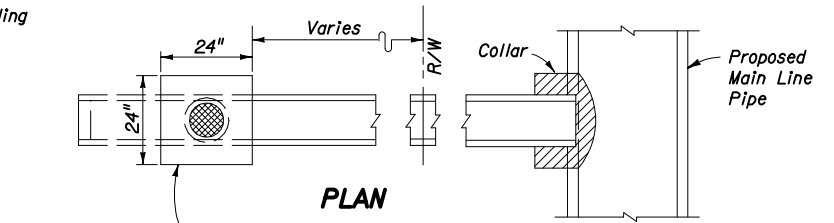
SLAB SECTION



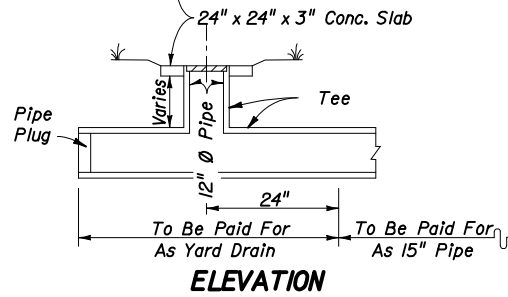
FRONT ELEVATION

- Notes:
- Maximum pipe size shall be 24" diameter.
 - Grading back of sidewalk varies and shall be done as directed by the Engineer.
 - Concrete quantities shown are for maximum wall heights, and shall be basis for estimate and payment.
 - Riprap quantities shown are for estimate purposes only. Cost of riprap to be included in cost of the endwall.
 - Endwalls to be paid for under the contract unit price for Conc. Class I (Endwalls), CY. Handrail to be paid for under the contract unit price for Pipe Handrail, (Material), LF.

SPECIAL CONCRETE ENDWALL



PLAN



ELEVATION

YARD DRAIN ITEM INCLUDES :

- 15" x 15" x 12" Concrete or PVC Tee 4' long.
- One (1) Grate-Neenah No. R-4030, Phoenix No. P-1058, U.S. Foundry No. 5605 or equivalent.
- 12" pipe as necessary.
- 0.04 Cu. yds. conc. for slab.

- Notes:
- Yard drains to be located outside the R/W. Drainage area should not exceed 750 SF (grate flow O.I.Cfs).
 - Yard drains may be constructed at the option of the property owner as shown on the plans.
 - Cost of plugs and collars to be included in the cost for 15" pipe. For collar and plug details see Index No. 280.
 - Yard drains to be paid for under the contract unit price for Yard Drains, EA.

YARD DRAINS