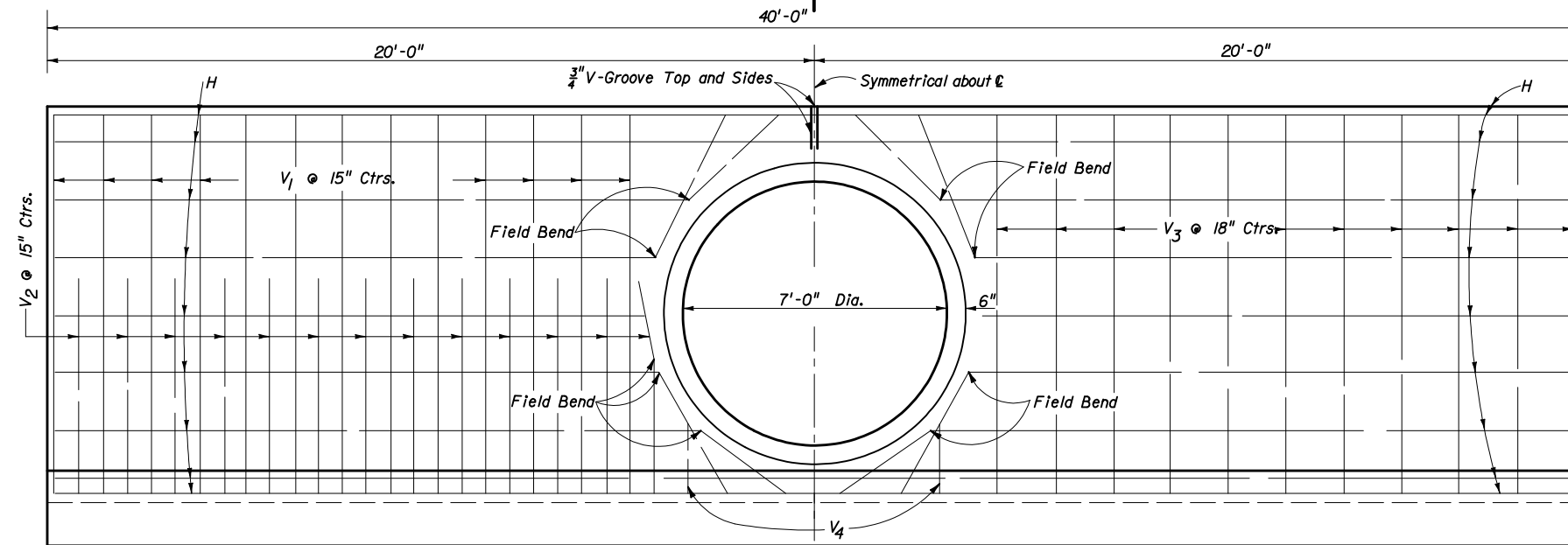


PLAN
(Showing Bars In Footing)



HALF ELEVATION

(Showing Bars In Back Face Of Wall)

HALF ELEVATION

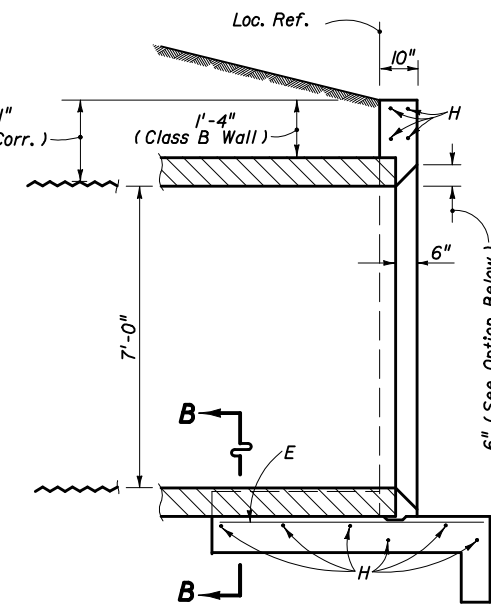
(Showing Bars In Front Face Of Wall)

GENERAL NOTES

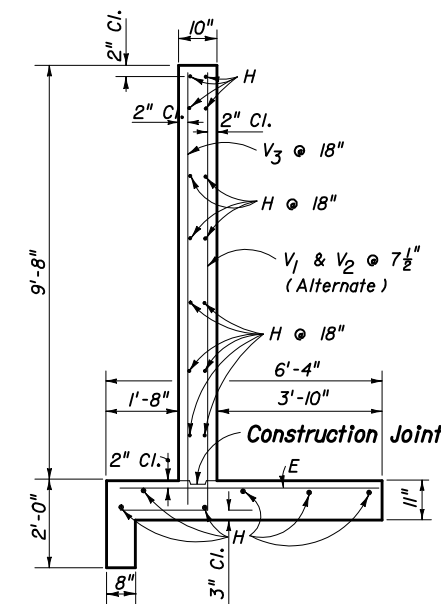
NOTE: Cut and field bend Bars H as shown

1. Straight concrete endwalls are intended for use outside the clear zone.
2. Endwalls may be cast-in-place or precast construction. Cast-in-place endwalls shall conform to the details on this index, design specifications AASHTO 1989. Precast construction which adheres to this index, including any additional reinforcement required for handling which shall be determined by the Contractor or supplier, does not require additional approvals. Deviations from this index, for precast units, shall require the approval of the State Drainage Engineer prior to construction. For precast construction, see Index No. 201 for opening and grouting details.
3. Reinforcing steel shall be either Grade 40 or 60.
4. Concrete shall be Class II except concrete meeting the requirements of ASTM C 478 (4000 PSI) may be used in lieu of Class II concrete in precast units manufactured in plants which are under the Standard Operating Procedures for the inspection of precast drainage products.

5. Chamfer: All exposed edges and corners to be chamfered $\frac{3}{4}$ " unless otherwise shown.
6. That portion of corrugated metal pipe in direct contact with the concrete slab and extending 12" beyond shall be a continuous coating of .004" minimum thickness coated prior to placing of the concrete.
7. Sodding shall be in accordance with Index No. 281 and paid for under the contract unit price for Sodding, SY.
8. Basis of payment for either cast-in-place or precast construction shall be the estimated quantities tabulated on the index. Concrete and reinforcing steel shall be paid for under the contract unit prices for Class II Concrete (Endwalls), CY and Reinforcing Steel (Roadway), LB.

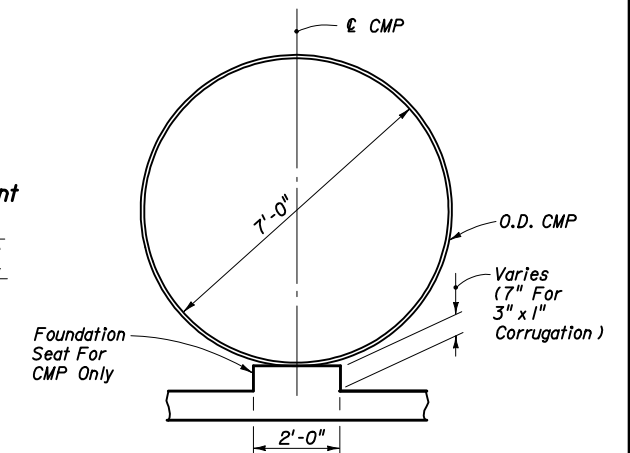
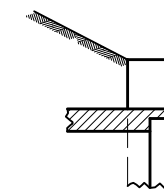


SECTION AA



TYPICAL SECTION THRU ENDWALL

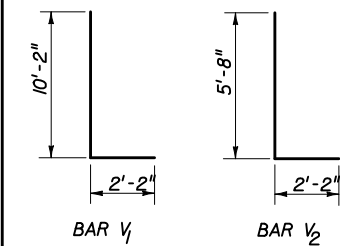
OPTIONAL ENTRANCE FOR CONCRETE PIPE



SECTION BB

BILL OF REINFORCING STEEL			
MARK	SIZE	NO. REQ'D	LENGTH
E	6	69	6'-0"
H	4	20	39'-8"
V1	6	26	12'-4"
V2	6	26	7'-10"
V3	4	22	10'-2"
V4	4	4	2'-0"

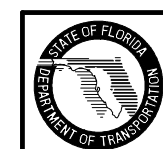
BENDING DIAGRAM



NOTE: All bar dimensions are out to out

ESTIMATED QUANTITIES

ITEM	UNIT	RCP	CMP
Class II Concrete	Cu. Yd.	20.0	20.2
Reinforcing Steel	Lb.	2,095	2,095



2006 FDOT Design Standards

**STRAIGHT CONCRETE ENDWALL
SINGLE 84" PIPE**

Last Revision 07/01/05
Sheet No. 1 of 1
Index No. 255