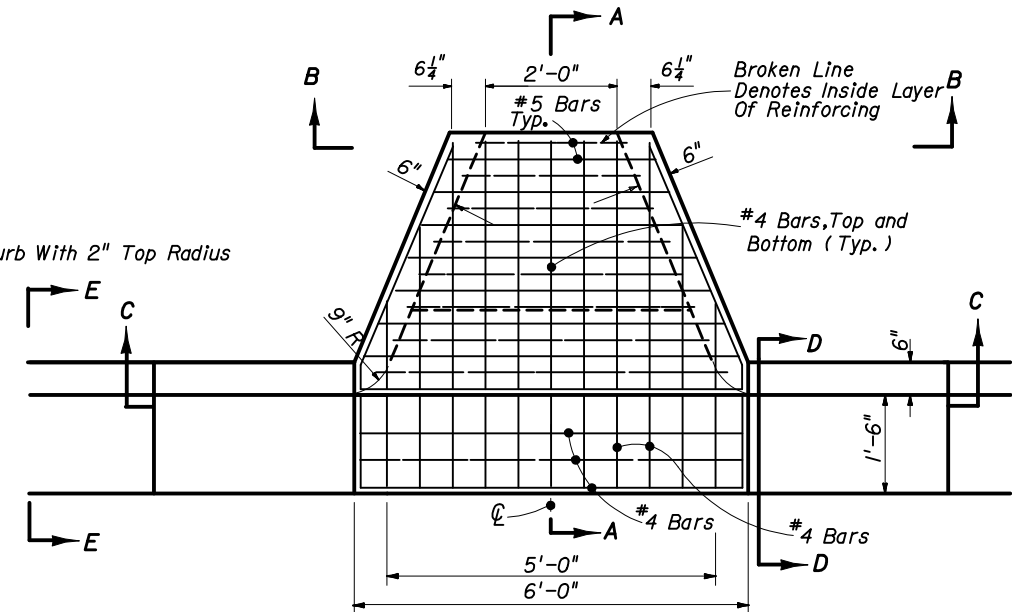


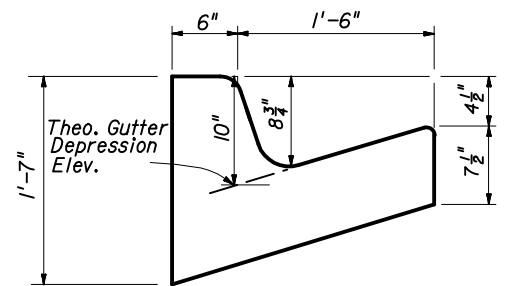
SECTION AA



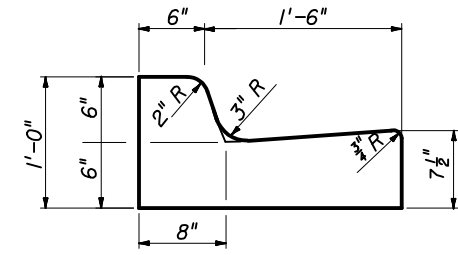
TOP VIEW

GENERAL NOTES

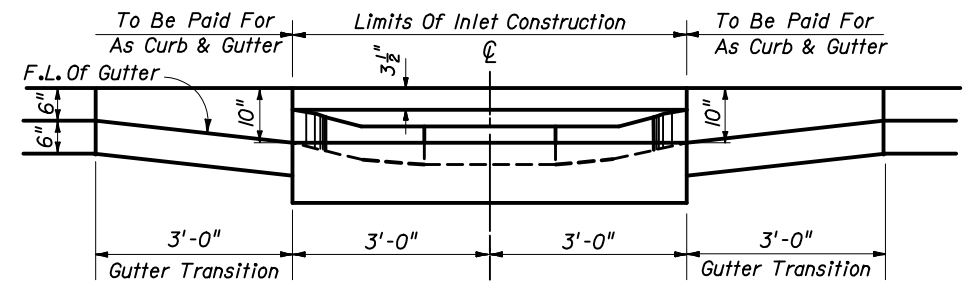
1. The finished grade and slope of the inlet top are to conform with the finished cross slope and grade of the proposed sidewalk and/or border.
2. When inlets are to be constructed on a curve, refer to the plans to determine the radius and, where necessary, modify the inlet details accordingly. Bend steel when necessary.
3. All steel shall have 1/4" minimum cover unless otherwise shown. Inlets can be either cast-in-place or precast concrete. Chamfer all exposed edges 3/4".
4. All reinforcement is ASTM A615/A615M Grade 60 steel, either smooth or deformed. Equivalent area grade 40 steel or 65 ksi welded wire fabric may be substituted.
5. Precasting of this inlet will be permitted. Precast units shall conform to the dimensions shown or in accordance with approved shop drawings. Request for shop drawing approval shall be directed to the State Drainage Engineer.
6. Inlets to be paid for under the contract unit price for Inlets (Closed Flume) EA.



SECTION DD



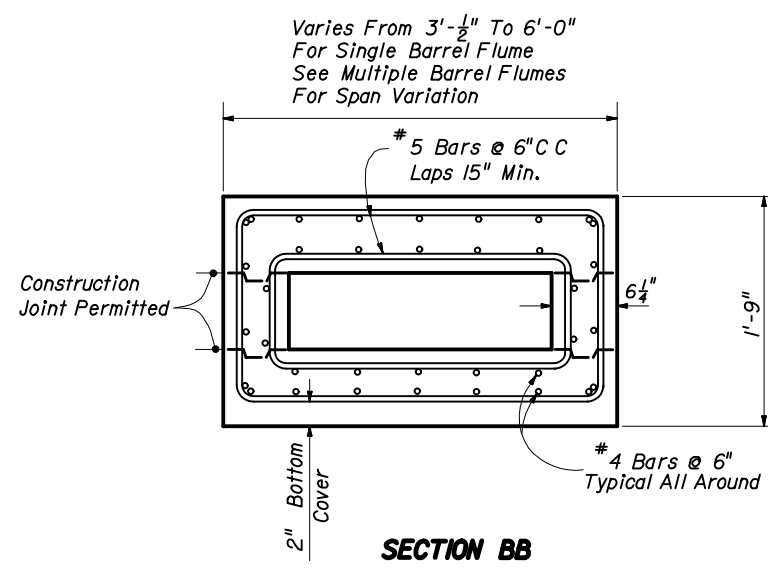
**Curb And Gutter Type F
SECTION EE**



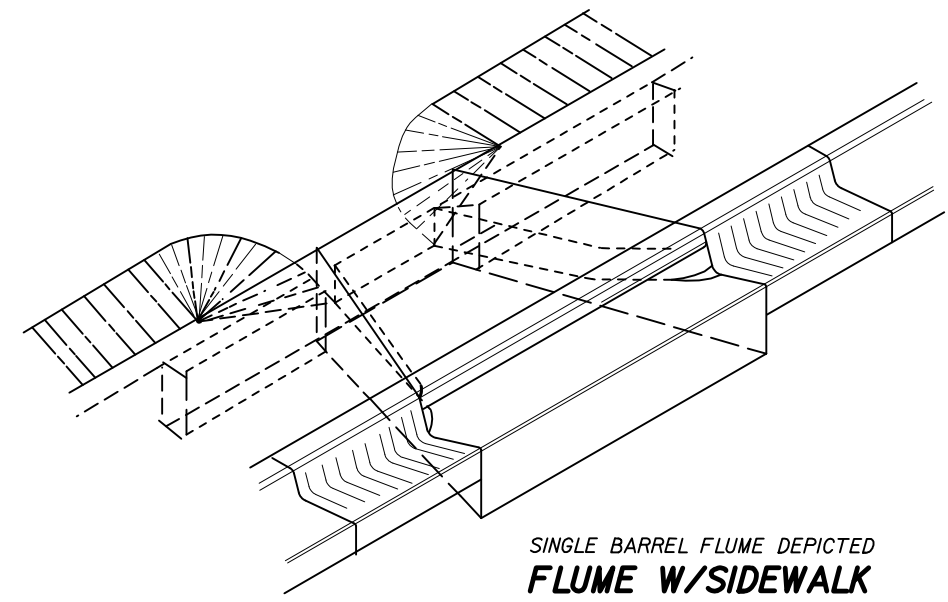
**SECTION CC
SINGLE BARREL FLUME**

DESIGN NOTES

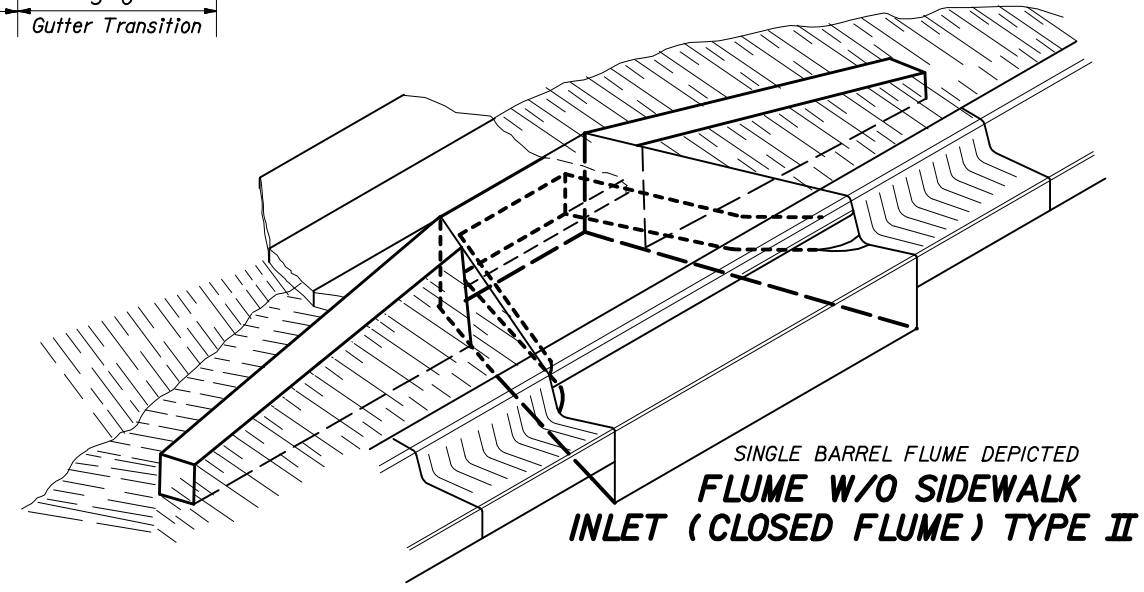
1. These inlets are designed for use with Type F curb and gutter only. Locate inlet outside of curb ramp area. The Single Barrel Flume is intended for locations with light to moderate flows. Multiple Barrel Flumes must be selected to meet design heavy flows.
2. Designer must specify Flume Type, "D" dimension, number of barrels and handrail requirements in plans.
3. Designer must specify where energy dissipating bricks are required.



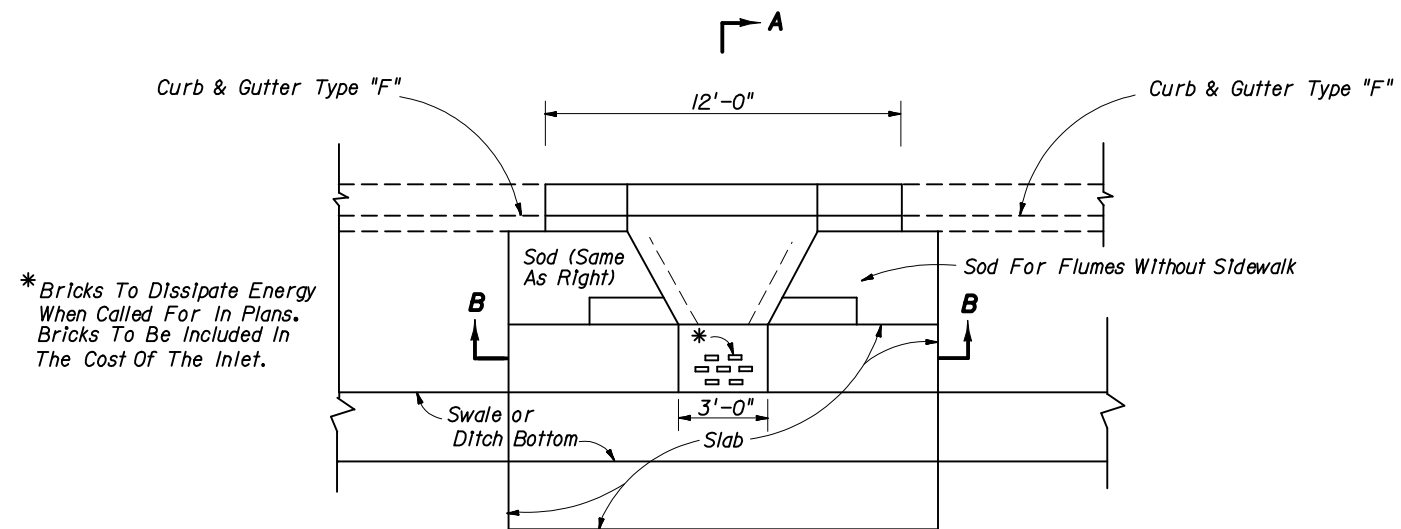
SECTION BB



**SINGLE BARREL FLUME DEPICTED
FLUME W/SIDEWALK
INLET (CLOSED FLUME) TYPE I**

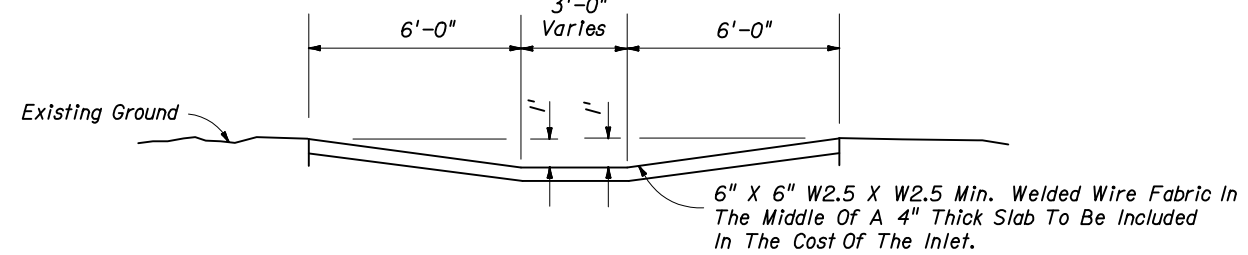


**SINGLE BARREL FLUME DEPICTED
FLUME W/O SIDEWALK
INLET (CLOSED FLUME) TYPE II**

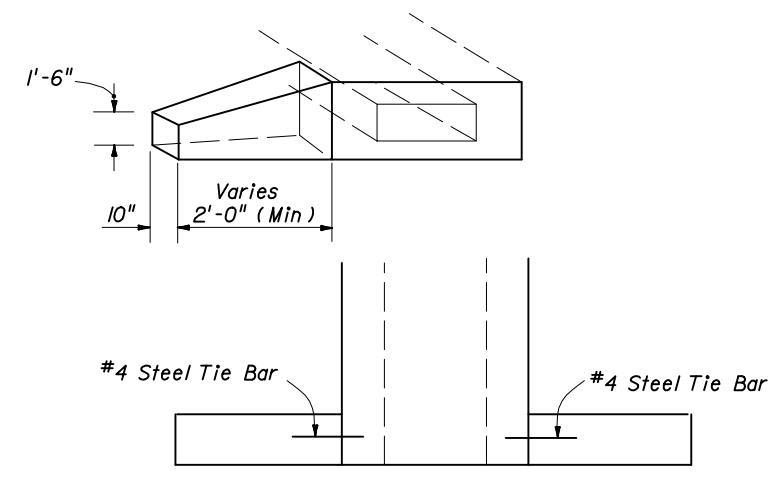


* Bricks To Dissipate Energy When Called For In Plans. Bricks To Be Included In The Cost Of The Inlet.

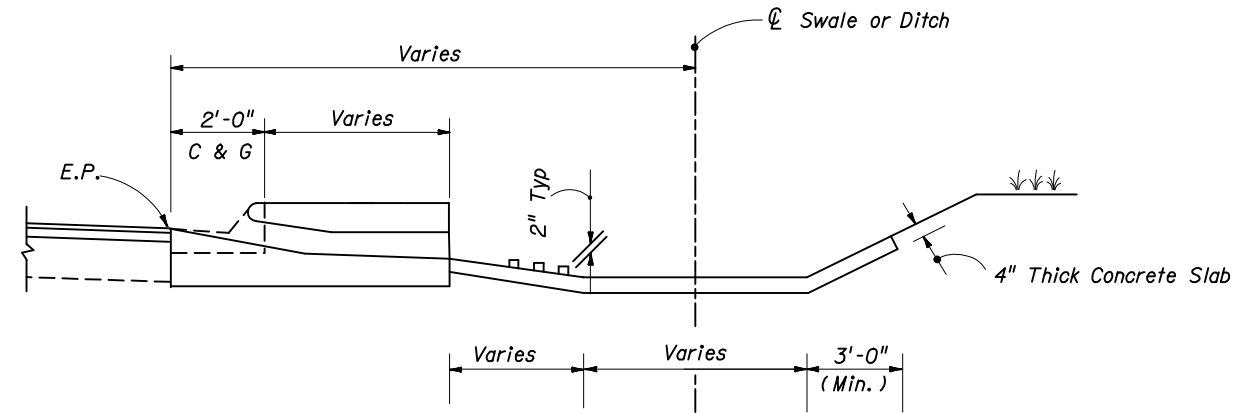
SINGLE BARREL FLUME DEPICTED
PLAN



SINGLE BARREL FLUME DEPICTED
SECTION BB

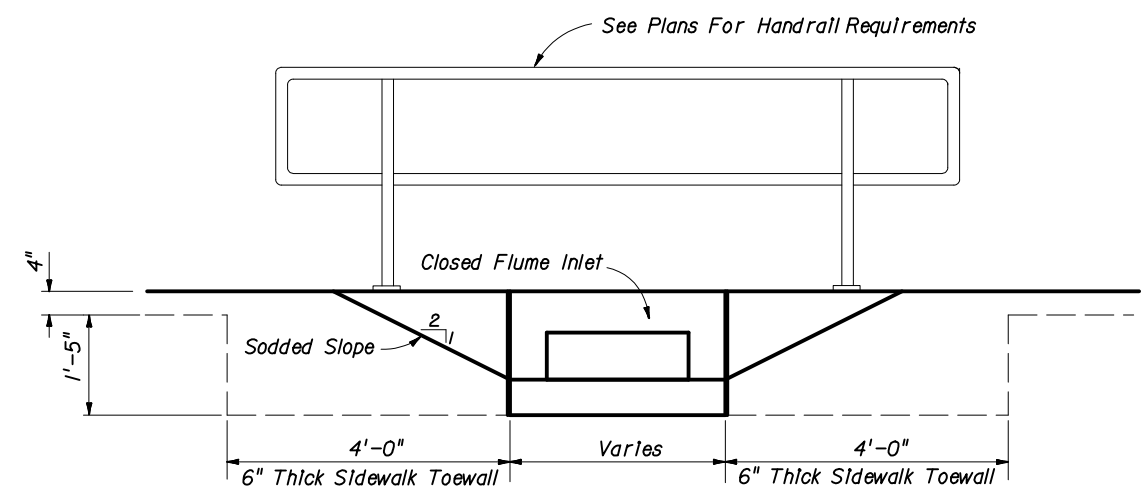


SINGLE BARREL FLUME DEPICTED
ENDWALL



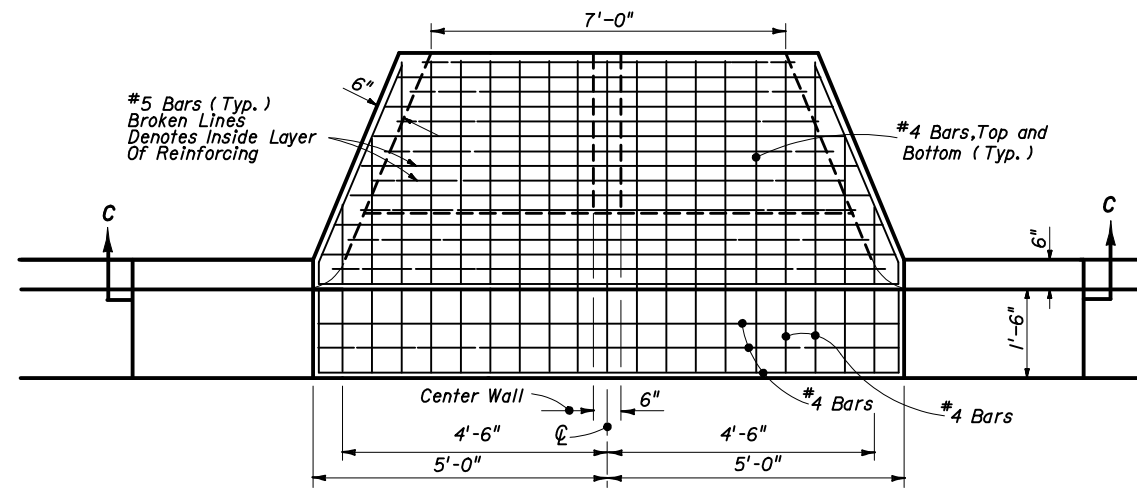
SINGLE BARREL FLUME DEPICTED
SECTION AA

SLOPES, DITCH APRON AND ENDWALLS

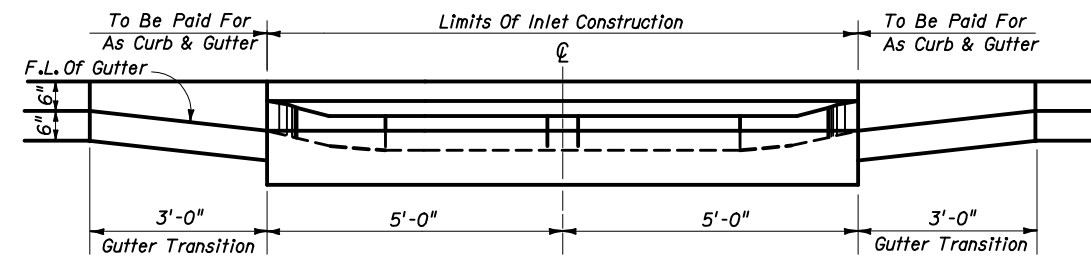


SINGLE BARREL FLUME DEPICTED
ELEVATION

HANDRAIL FOR FLUME IN SIDEWALK

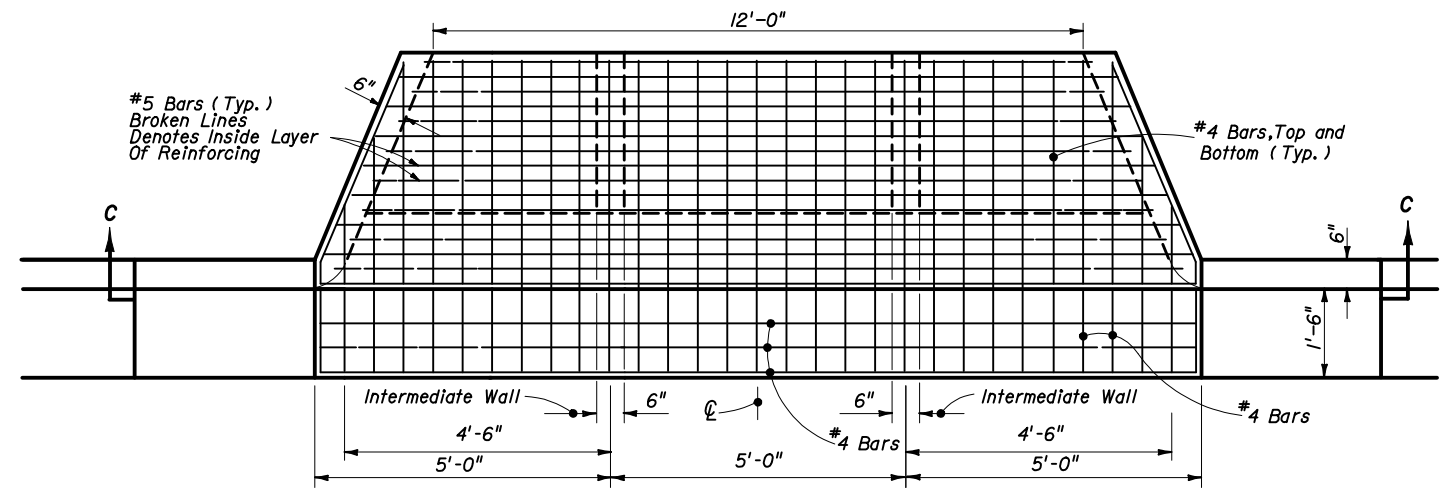


TOP VIEW

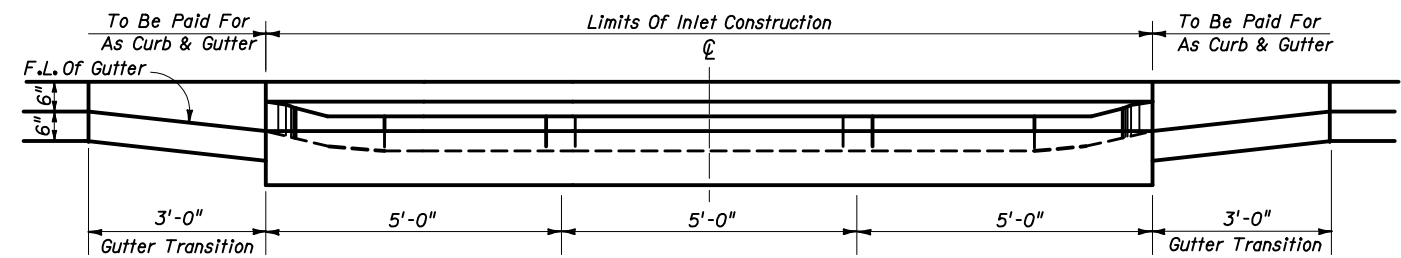


SECTION CC

DOUBLE BARREL FLUME

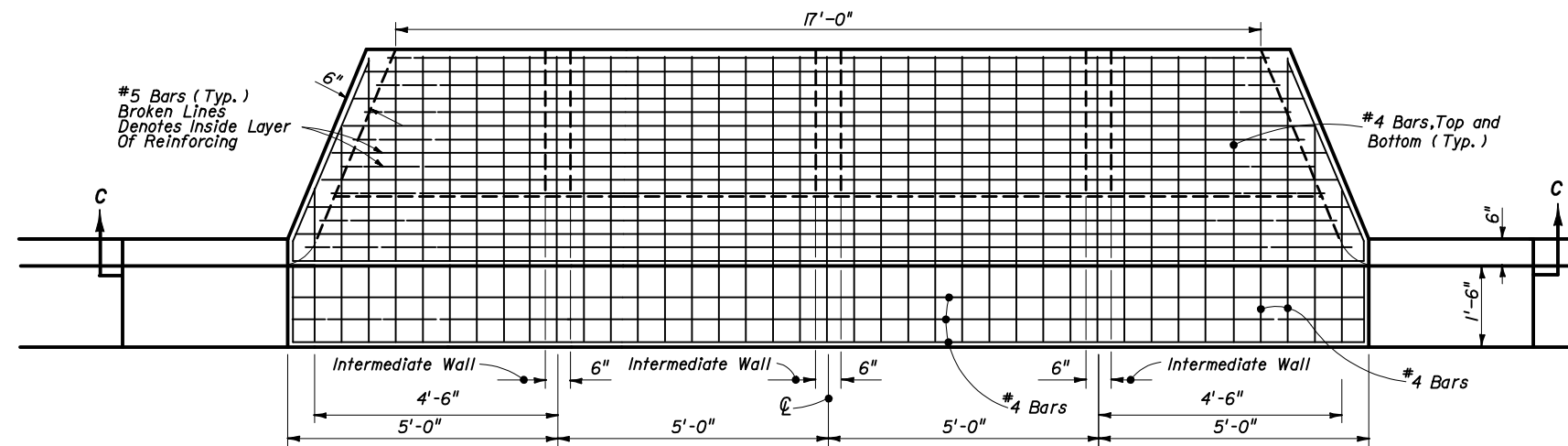


TOP VIEW

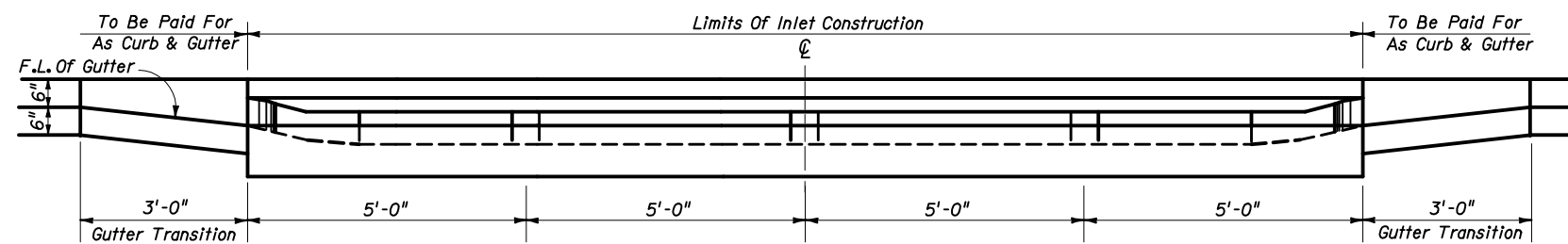


SECTION CC

TRIPLE BARREL FLUME

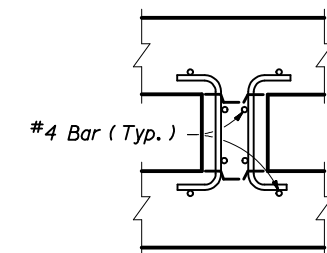


TOP VIEW



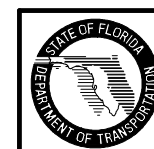
SECTION CC

QUADRUPLE BARREL FLUME



INTER WALL REINFORCING

NOTE: See Single Barrel Flume For Base Dimensions.



2006 FDOT Design Standards

CLOSED FLUME INLET

Last Revision 02 Sheet No. 3 of 3

Index No. 216