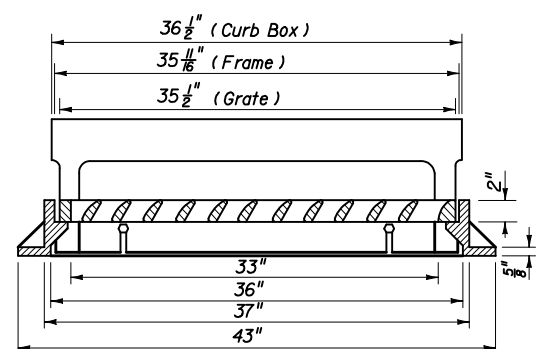
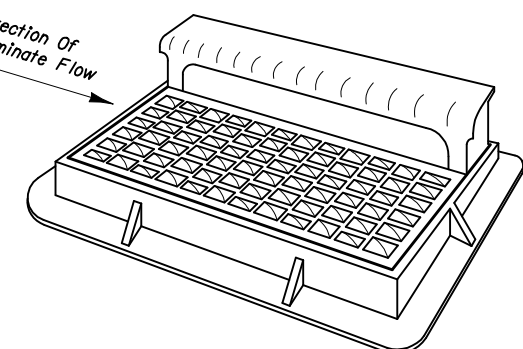


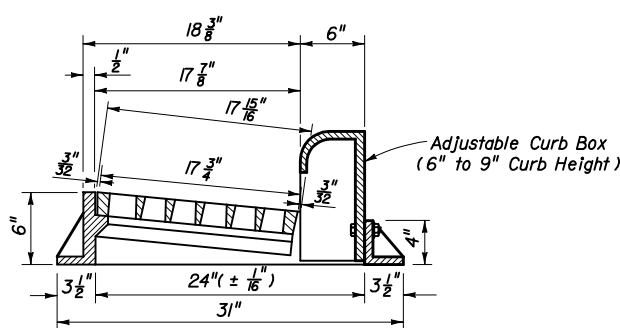
TOP VIEW

Face Of Curb  
Direction Of Predominate Flow

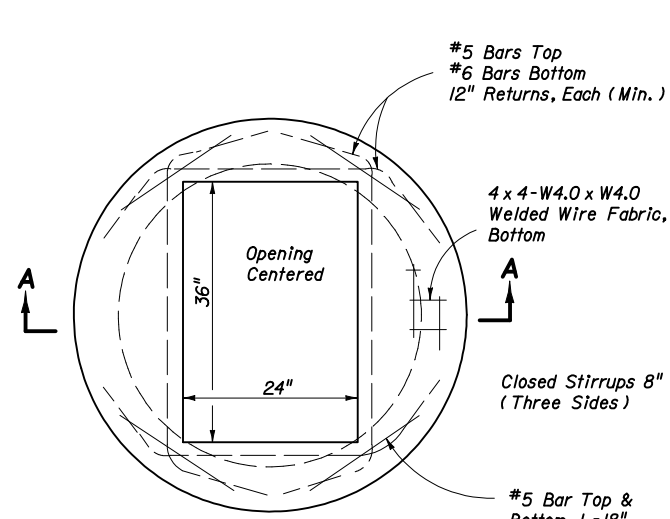


LONGITUDINAL SECTION

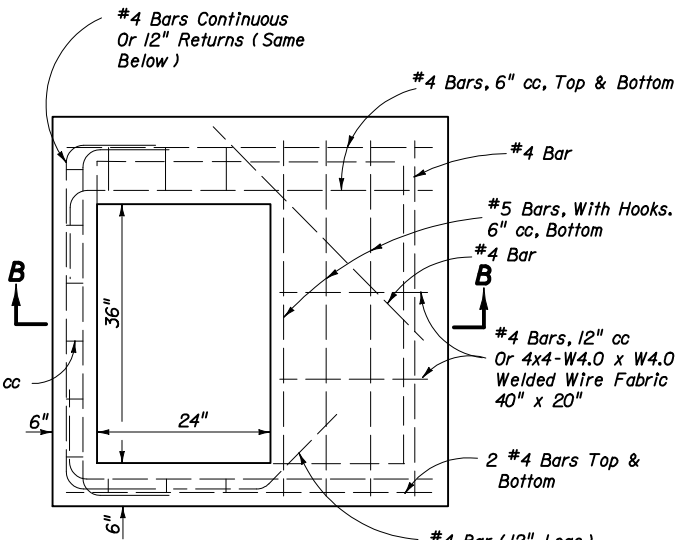
FRAME AND GRATE



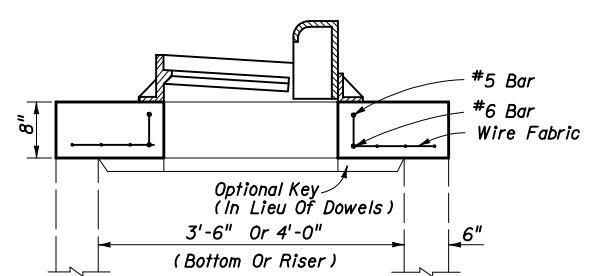
TRANSVERSE SECTION



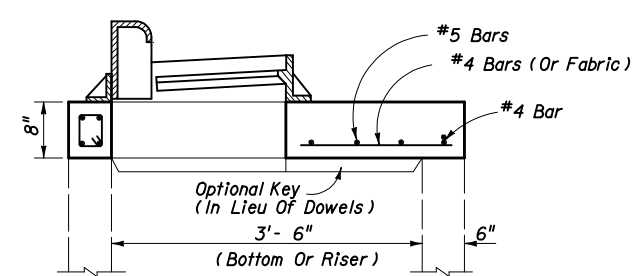
TOP VIEW



TOP VIEW



SECTION AA  
(SEE NOTE 6 BELOW)

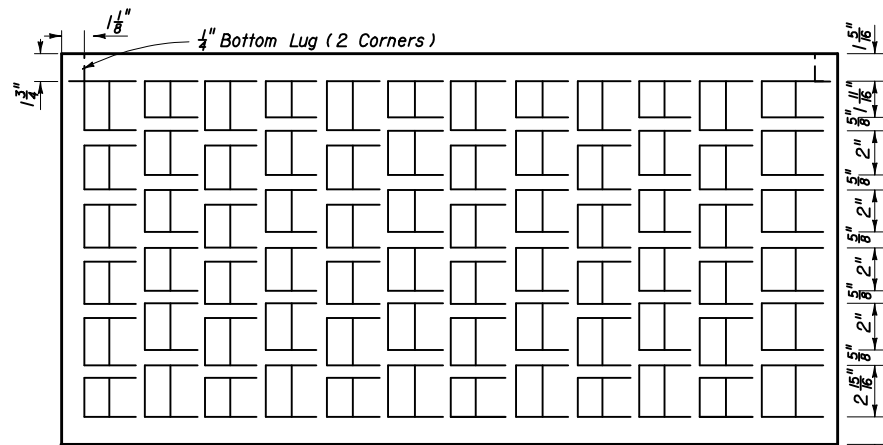


SECTION BB  
(SEE NOTE 6 BELOW)

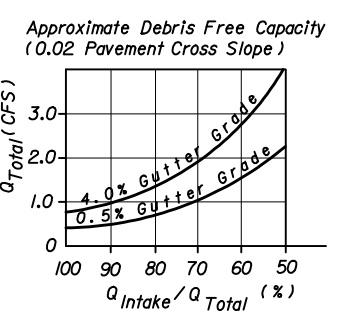
TOP SLABS

GENERAL NOTES

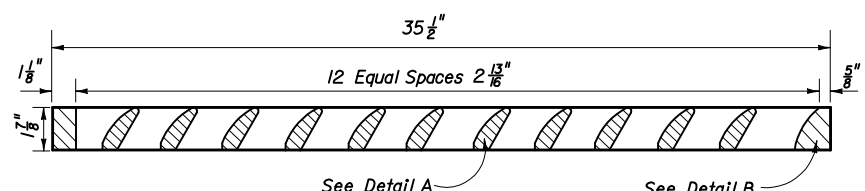
1. This inlet is primarily intended for locations with light to moderate flows where right of way does not permit the use of throated Curb Inlets Types 1 through 6. The typical application is on curb returns to city streets. The inlet grate is suitable for pedestrian and bicycle traffic.
2. This inlet to be located outside of curb ramp area in vertical faced curbs such as Curb and Gutter Type F. Grate shall be oriented with vanes directed toward predominate flow.
3. For structure bottoms see Index No. 200. For supplemental details see Index No. 201.
4. All steel in slab tops shall have 1/4" minimum cover unless otherwise shown. Tops shall be either cast-in-place or precast concrete.
5. For Alternate B applications, top slab openings shall be placed such that 2 edges of inlet frame will be located directly above bottom wall or riser wall.
6. When used on a structure with dimensions larger than those detailed above and risers are not applied, the top slab shall be constructed using Index No. 200 with the slab opening adjusted to 24" x 36". The "Special Top Slab" on Index No. 200 is not permitted.
7. Frame may be adjusted with one to six courses of brick.
8. Cast iron frame grate and hood to be U.S. Foundry 5130-6016, Neenah Foundry R-3067-L, or approved equal. Inlet and grate detail shown is Neenah R-3067-L. Vaned grates with approximately equal openings will be permitted that satisfy AASHTO HS-20 loading. Inlet and grate shall be Class 30 castings in accordance with ASTM A48 Grates shall be reversible, right or left.



TOP VIEW

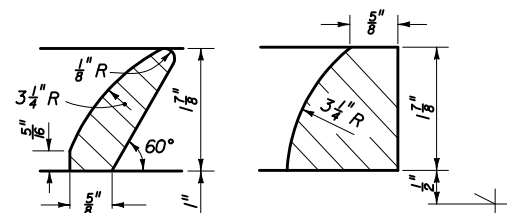


EFFICIENCY CURVE



SECTION

GRATE DETAIL



DETAIL A

DETAIL B



2006 FDOT Design Standards

CURB INLET TOP  
TYPE 9

Last Revision 07/01/05	Sheet No. 1 of 1
Index No. <b>214</b>	