

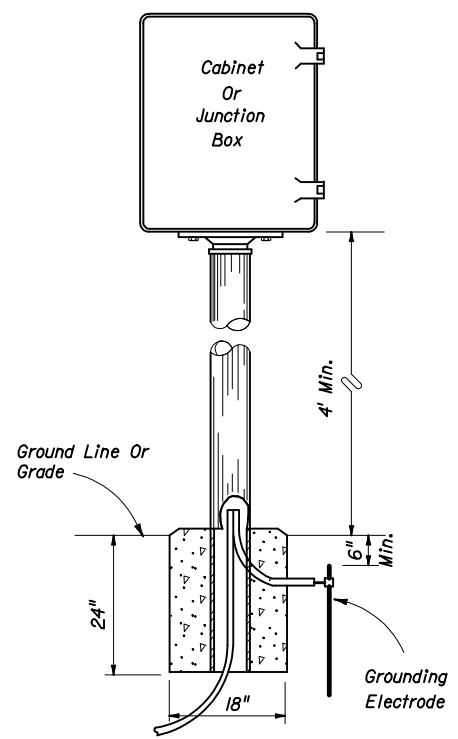
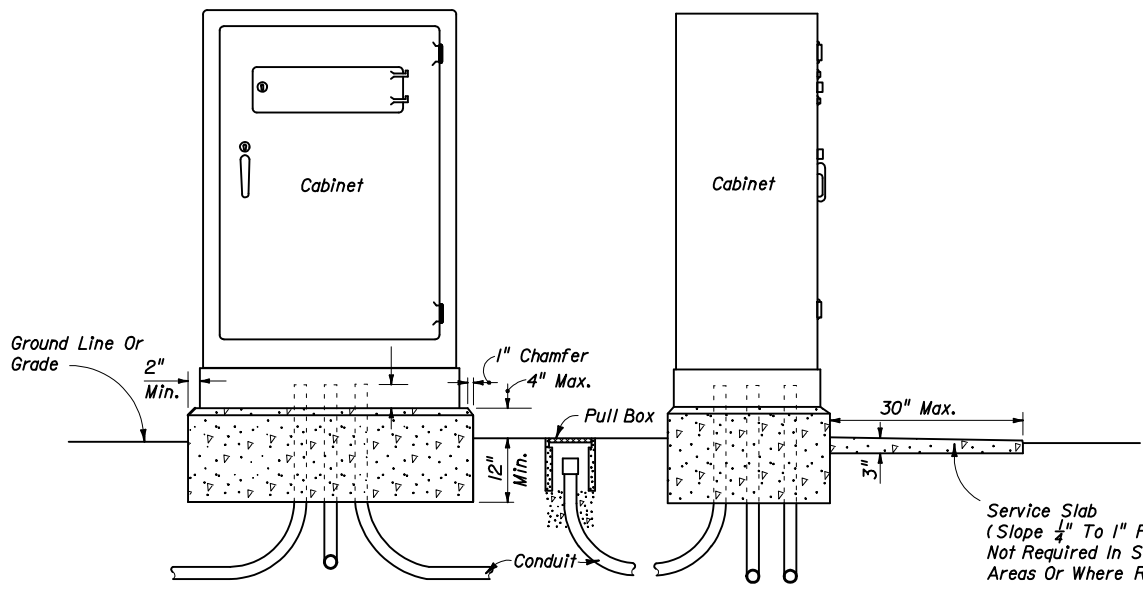
Liquid tight flexible conduit is approved for use from the electrical disconnect to the cabinet when both are installed on the same pole.

POLE MOUNTED CABINET

* If holes for cabinet mounting require relocation, original holes shall be filled in with concrete or covered with a non corrosive cover plate.

INTERCONNECT JUNCTION BOX

- Notes:
- The number, size and orientation of conduit sweep will vary according to site condition or locations. Two spare 2" PVC conduits shall be provided in all bases. The spares shall exit in the direction of the center rear of the cabinet base, into a pull box and capped with a weather tight fitting. If obstructions prevent the spare conduit from exiting to the rear, or the rear of the cabinet is located on the R/W line, a side exit of the spare conduits will have to be approved by the project engineer. All spare conduit sweeps shall be capped with a weather proof fitting.
 - Meet all grounding requirements of Section 620 of the Standard Specifications.



2006 FDOT Design Standards

CABINET INSTALLATION DETAILS

Last Revision 02	Sheet No. 1 of 1
Index No. 17841	