

FIGURE A
POLE MOUNTED
DETECTOR STATION

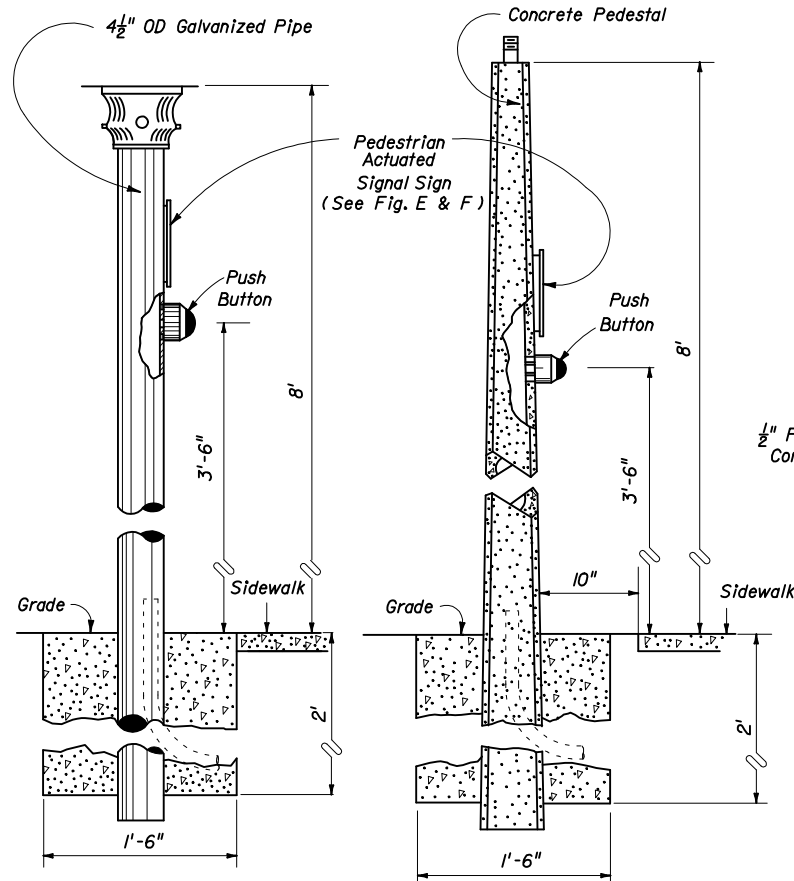


FIGURE B
PEDESTAL STATION
DETECTOR STATION

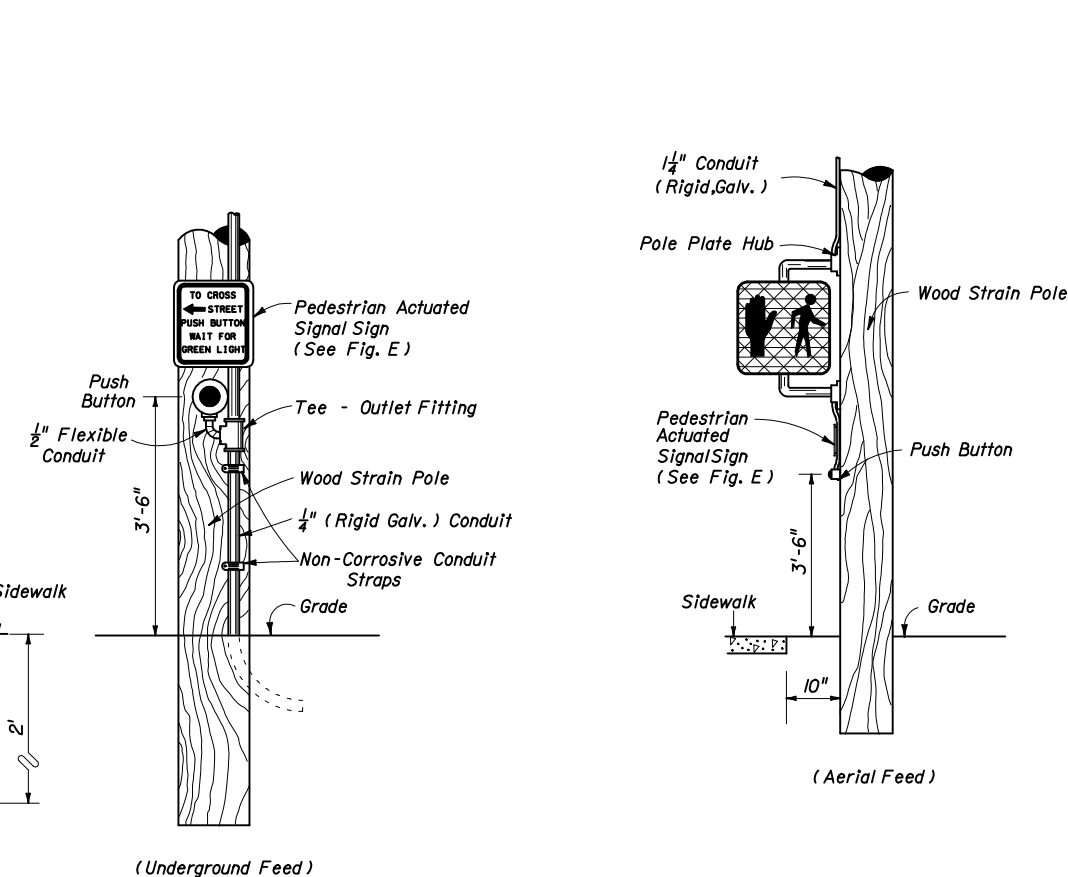


FIGURE C
WOOD POLE MOUNTED
DETECTOR STATION

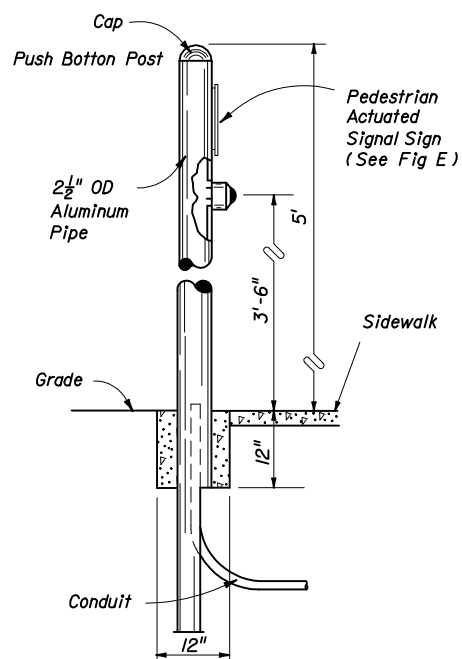


FIGURE D
POST DETECTOR STATION
DETECTOR STATION

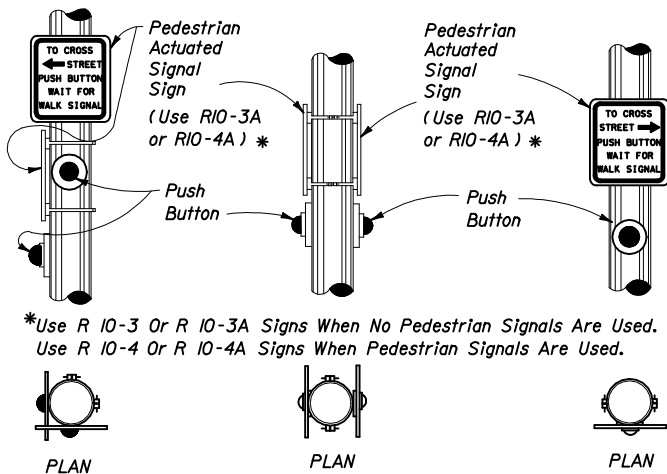


FIGURE E

*Use R 10-3 Or R 10-3A Signs When No Pedestrian Signals Are Used.
Use R 10-4 Or R 10-4A Signs When Pedestrian Signals Are Used.

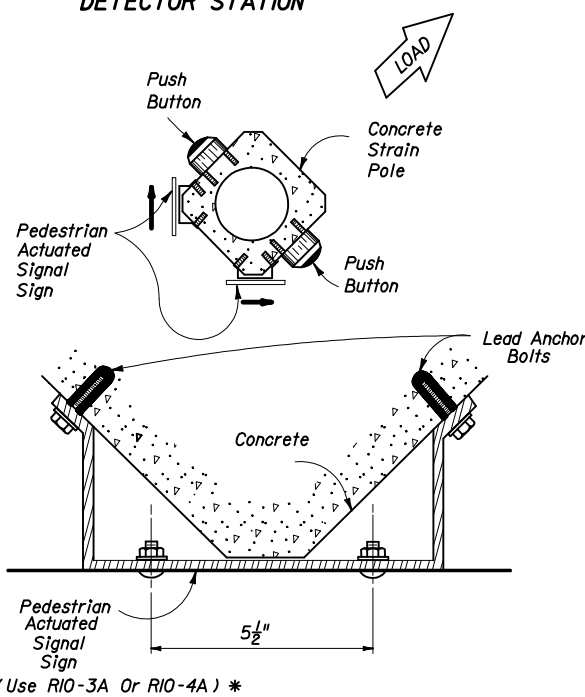


FIGURE F

Notes:

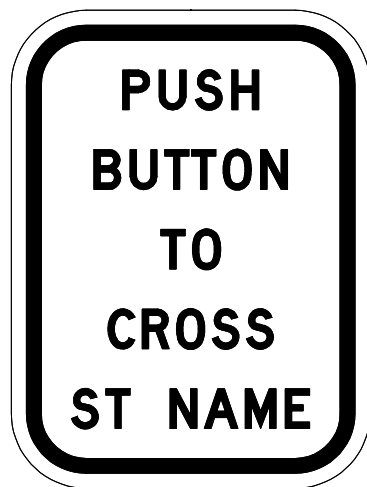
- 1 Signs (R10-3A & R10-4A) shall be mounted above detectors, explaining their purpose and use.
- 2 The positioning of pedestrian push button should clearly indicate which cross-walk signal is actuated by each push button.
- 3 Push buttons and signs are to be mounted in accordance with Standard Specifications, section 665.
- 4 Meet all grounding requirements of Section 620 of the Standard Specifications.



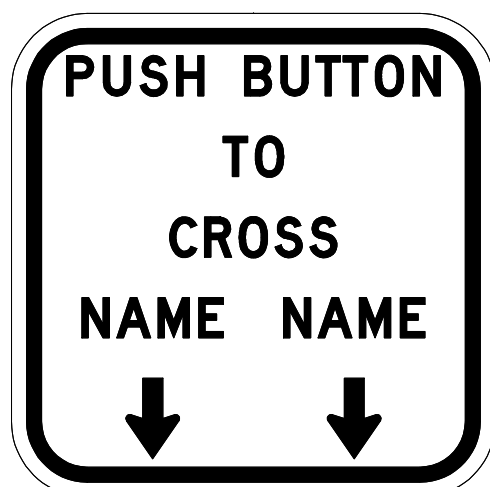
2006 FDOT Design Standards

**PEDESTRIAN DETECTOR
ASSEMBLY INSTALLATION DETAILS**

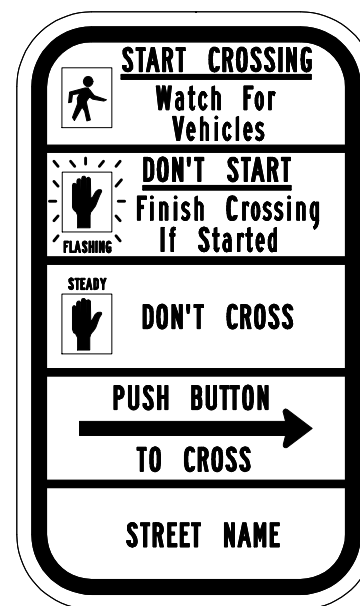
Last Revision 04	Sheet No. 1 of 2
Index No. 17784	



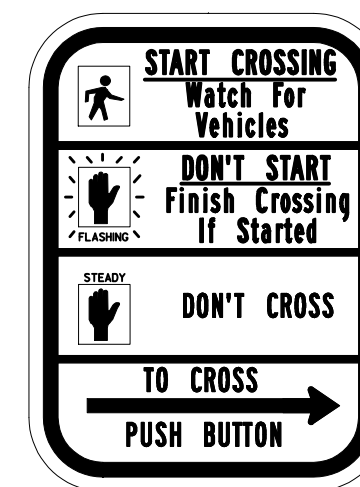
FTP-25-04



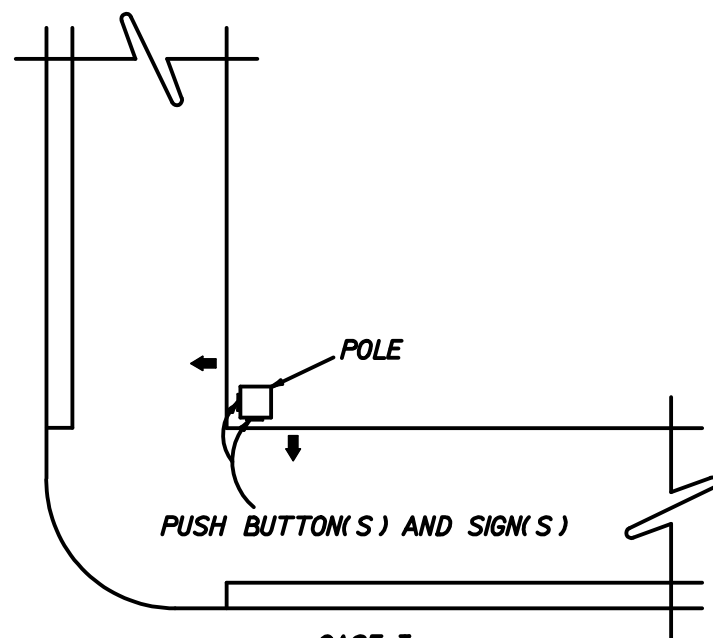
FTP-26-04



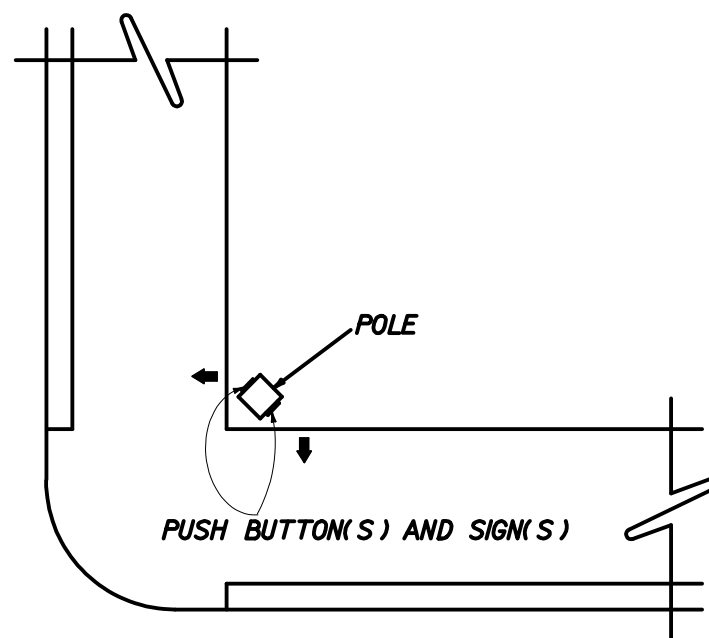
FTP-69A-06



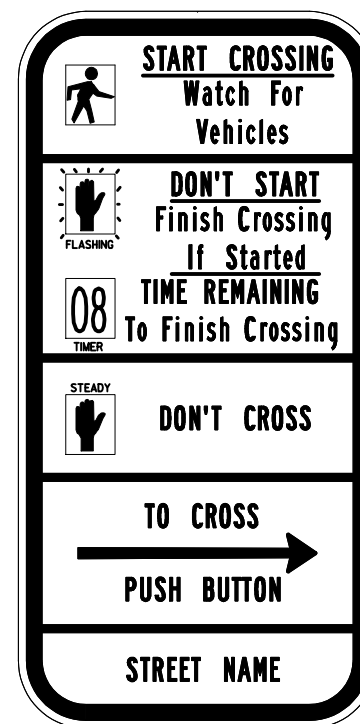
RIO-3b



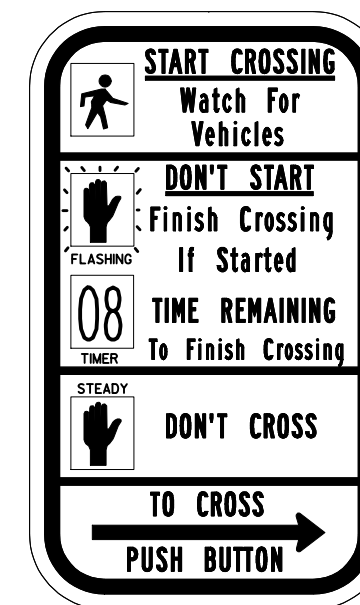
CASE I
POLE PARALLEL TO CURBLINE
ALTERNATE TO FIGURE F



CASE II
POLE DIAGONAL TO CURBLINE



FTP-69B-06



RIO-3e

NOTE:

1. Refer to the *MANUAL ON UNIFORM TRAFFIC CONTROL DEVICES* figure 2B-18 Pedestrian Signs, The *STANDARD HIGHWAY SIGNS MANUAL (English)* Sign RIO-3b for Text Size, Spacing and Symbol size. Also see *DESIGN STANDARDS* Index I7355 for details of FTP signs.



2006 FDOT Design Standards

PEDESTRIAN DETECTOR
ASSEMBLY INSTALLATION DETAILS

Last Revision	Sheet No.
07/01/05	2 of 2
Index No.	
17784	