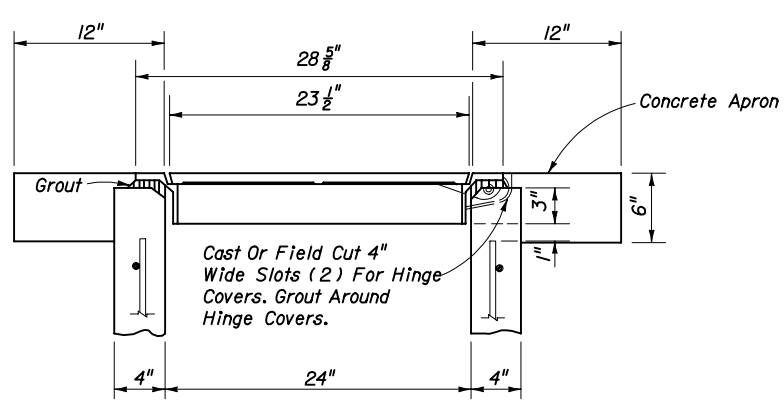
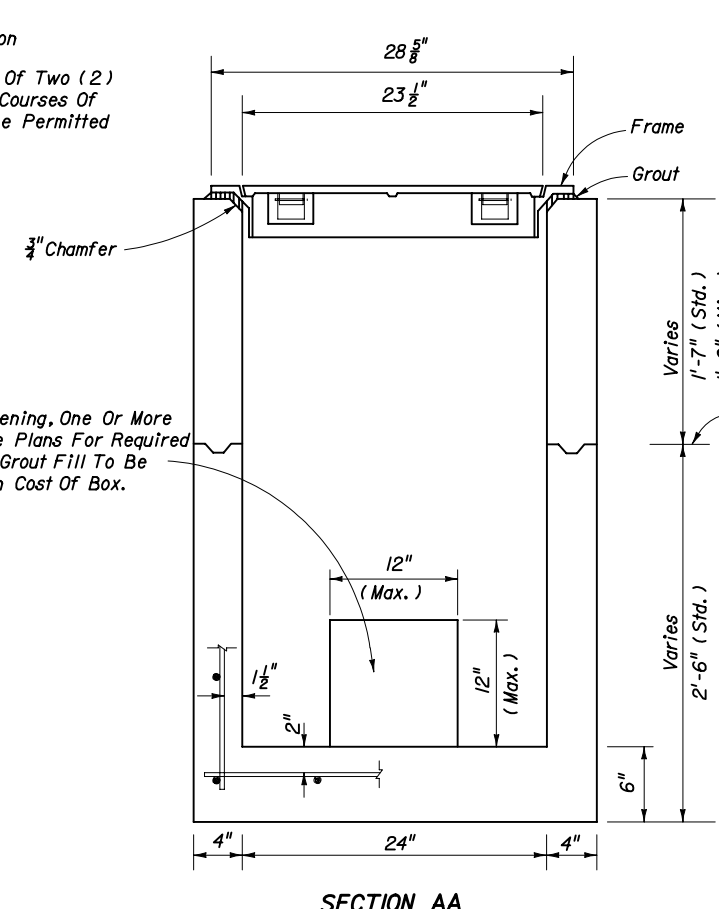
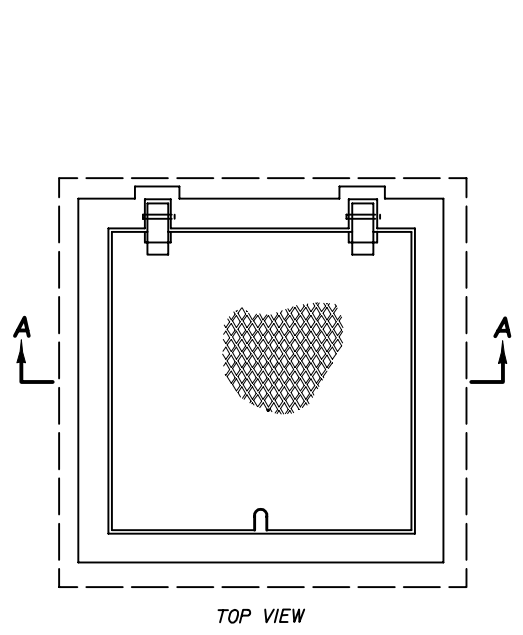


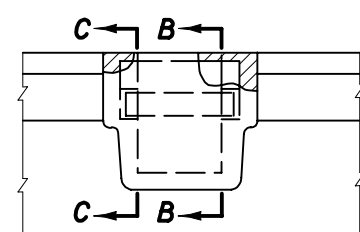
**TYPICAL INSTALLATION ON SLOPES**



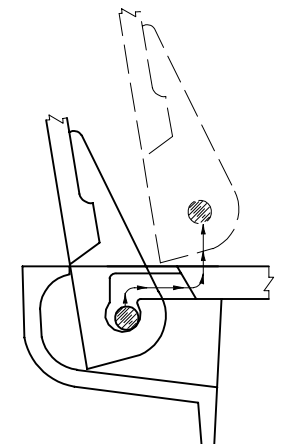
**TYPICAL TOP AND APRON**



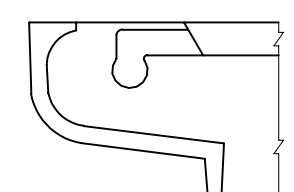
**BOX AND TOP**



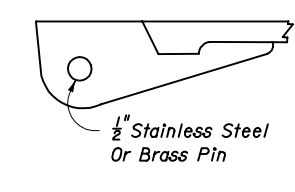
**BACK VIEW**



**COVER REMOVAL**



**SECTION CC**



**SECTION BB**


**HINGE DETAIL**

**GENERAL NOTES**

1. Cast iron cover and frame to be Neenah Foundry Company R-6660-JH, U.S. Foundry Manufacturing Corporation No. A-632 or equal. Neenah R-6660-JH detailed this index.
2. Box to be Class I Concrete, reinforced with No. 3 bars on 8" centers both ways, sides and bottom.
3. Concrete apron to be included in the contract unit price for Underdrain Inspection Box.
4. All covers shall be furnished with pick holes. Fitted lifts or handles are not permitted.
5. Manhole Type P Alternate A, Index No. 200, with Type I Frame and Cover, Index No. 201, may be used in lieu of the box detailed on this sheet, and is recommended when high ADT increases chance of the repeated vehicle loadings.

STATE OF FLORIDA DEPARTMENT OF TRANSPORTATION

**UNDERDRAIN INSPECTION BOX**

Names	Dates	Approved By		
Designed By	WS 05/81	 State Drainage Engineer		
Drawn By	JM 05/81			
Checked By	JVG 05/81			
Revision	00			
		1 of 1	245	