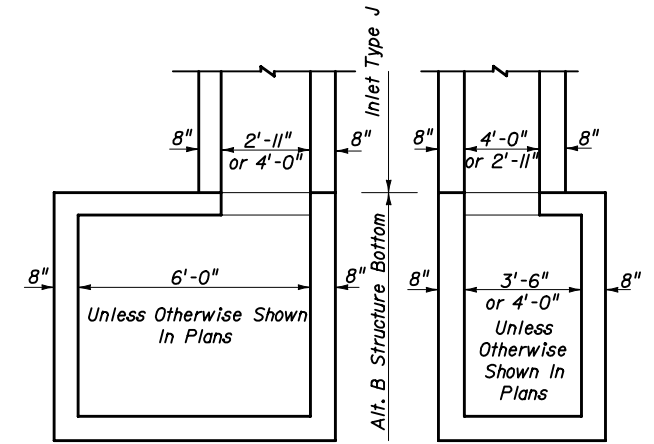


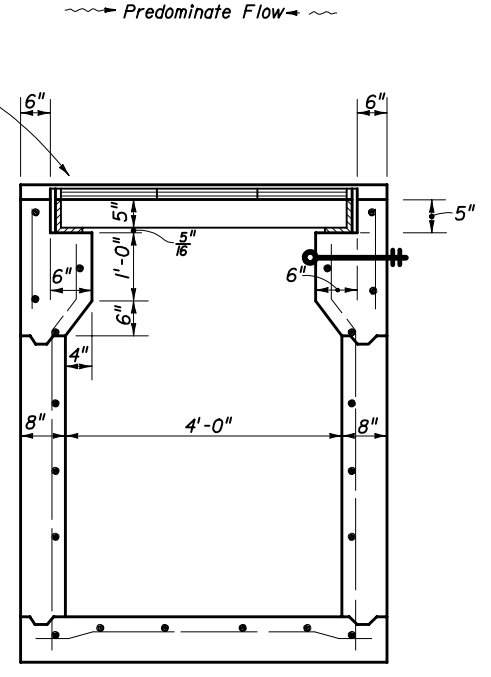
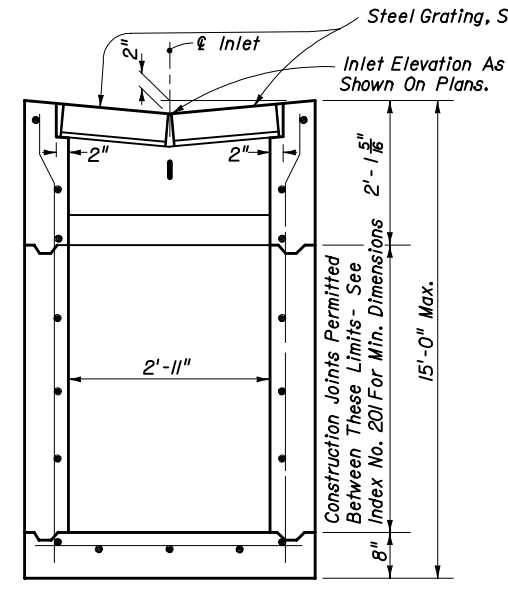
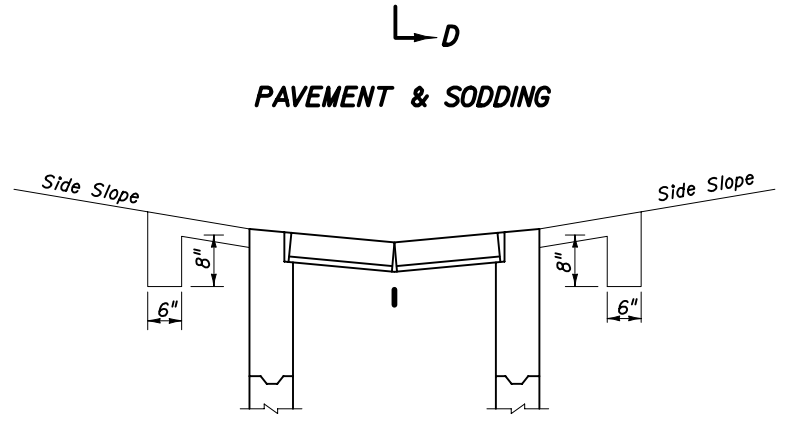
RECOMMENDED MAXIMUM PIPE SIZES	
INLET INSIDE WIDTH	PIPE SIZE
2'-11"	24"
4'-0"	30"

Note: Recommended sizes are for concrete pipe. Sizes for other types of pipe must be verified for fit in accordance with Index No. 201. For larger pipe see bottom detail right and Index No. 200.

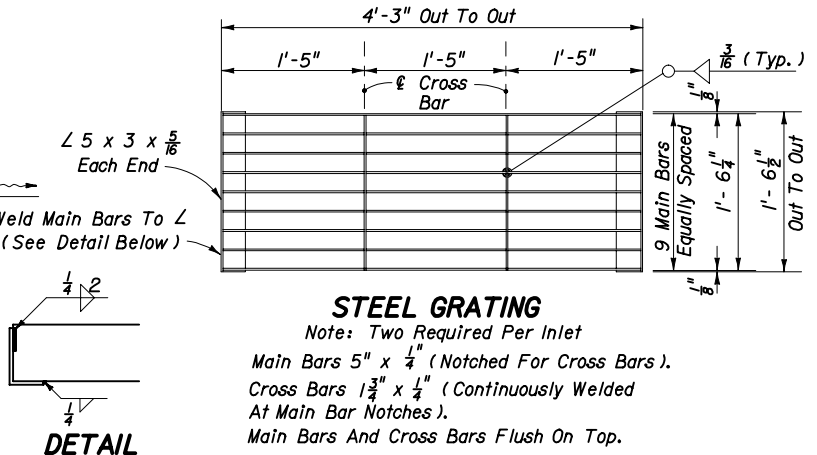
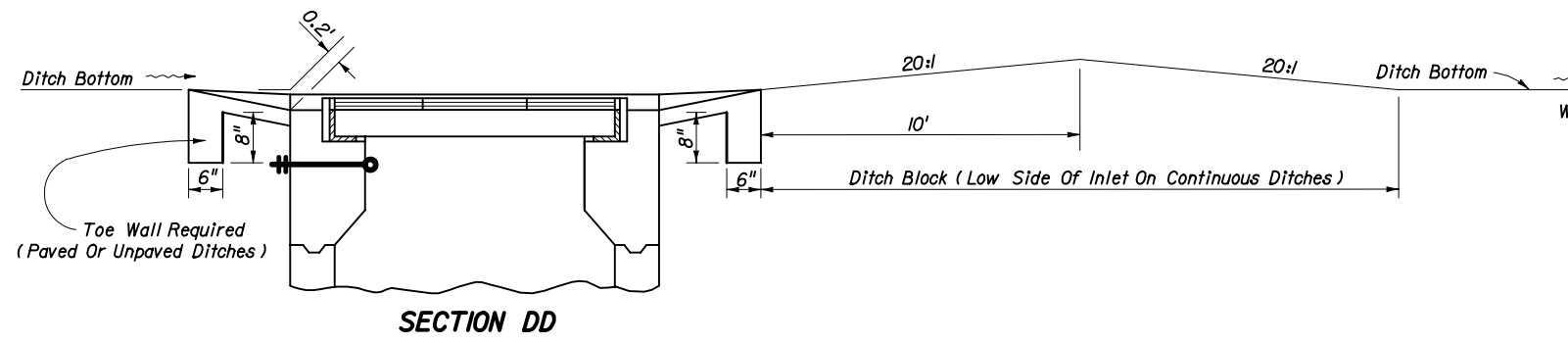


NOTE: Alt. B Structure Bottom Only. See Index No. 200 for structure bottom details and hole reinforcement.

INLET WITH STRUCTURE BOTTOM



- GENERAL NOTES**
- This inlet is designed for use in ditches, medians, pavement areas or other areas subject to heavy wheel loads with minimal debris. This inlet is not for use in areas subject to bicycle traffic. This inlet may be placed in areas subject to occasional pedestrian traffic such as landscaped areas and pavement areas where Pedestrians can walk around the inlet.
 - Reinforcing- #4 bars at 12" centers both ways with 2" clearance to inside face. Cut or bend bars out of way of pipe when necessary; bars to clear pipe by 1/2".
 - When alternate G grate is specified in plans the grate is to be hot dipped galvanized after fabrication.
 - For supplemental details, see Index No. 201.
 - Cost of ditch paving to be included in cost of inlet. Sodding to be paid for under contract unit price for Sodding, SY.



STATE OF FLORIDA DEPARTMENT OF TRANSPORTATION

DITCH BOTTOM INLET TYPE J

Names	Dates	Approved By <i>[Signature]</i>		
Designed By LMF	08/76	State Drainage Engineer		
Drawn By		Revision	Sheet No.	Index No.
Checked By SRL	08/76	04	1 of 1	234